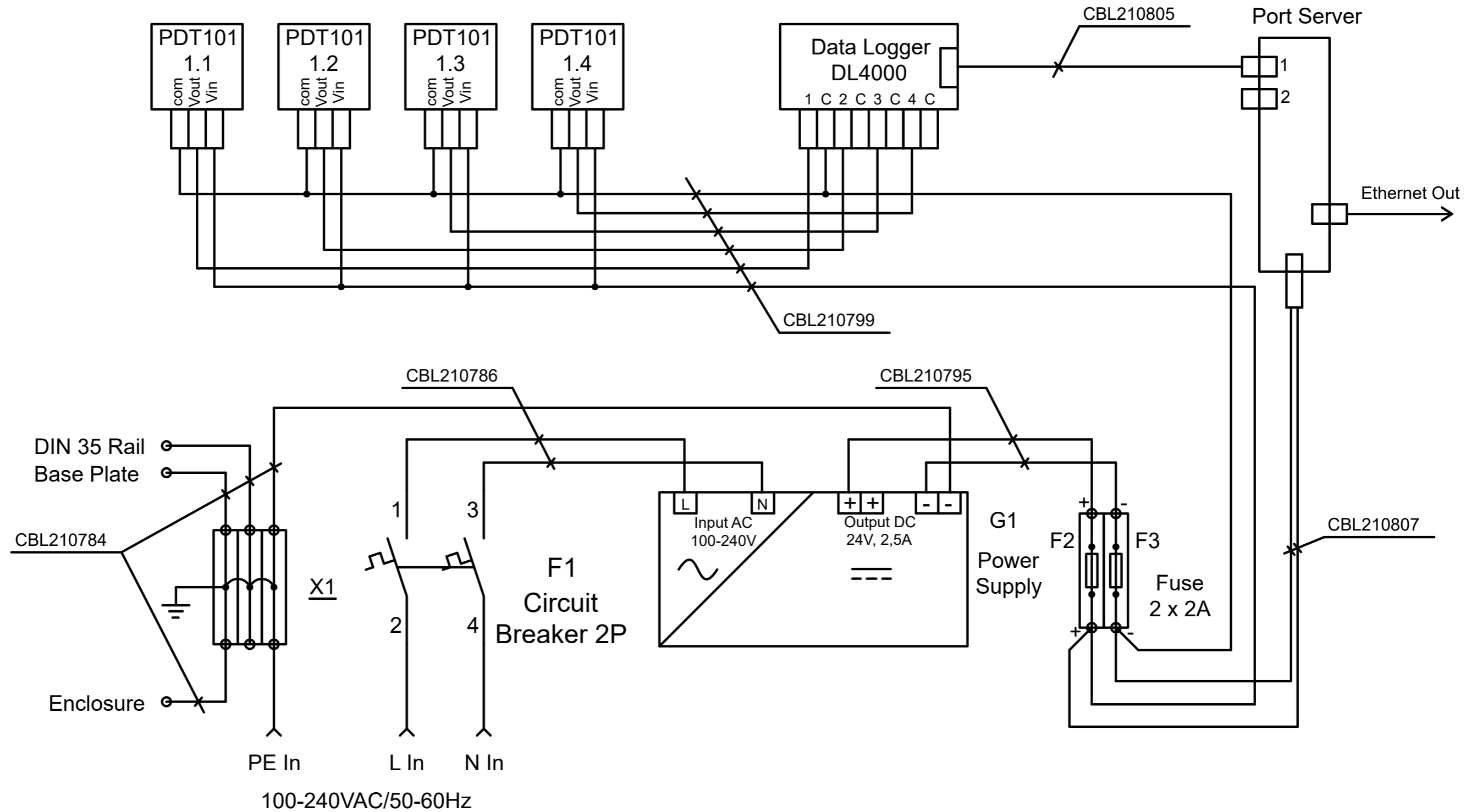
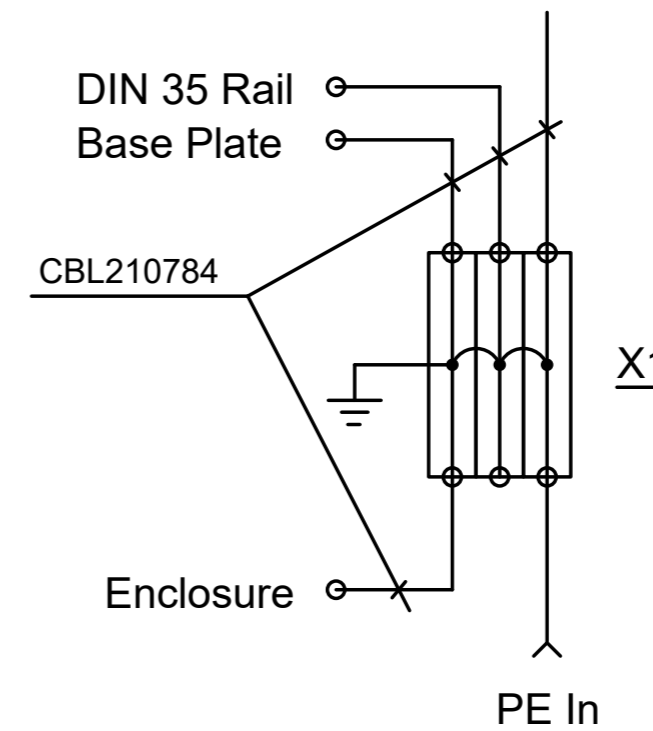
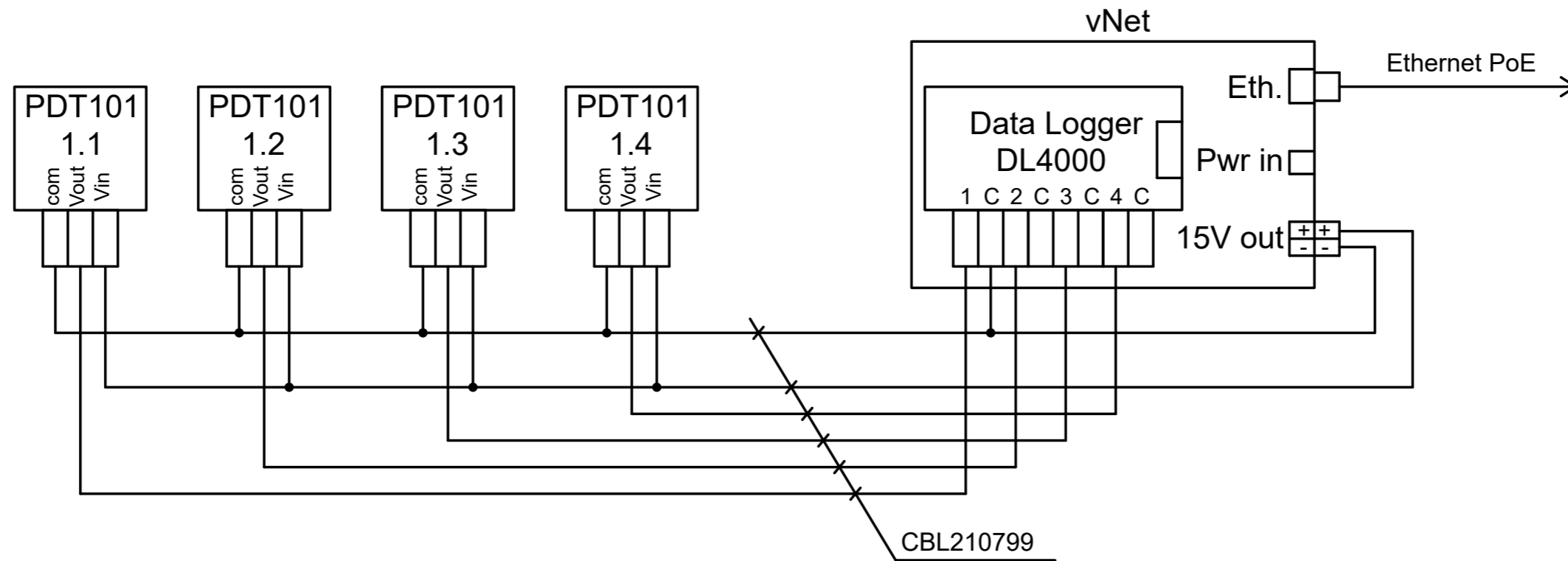


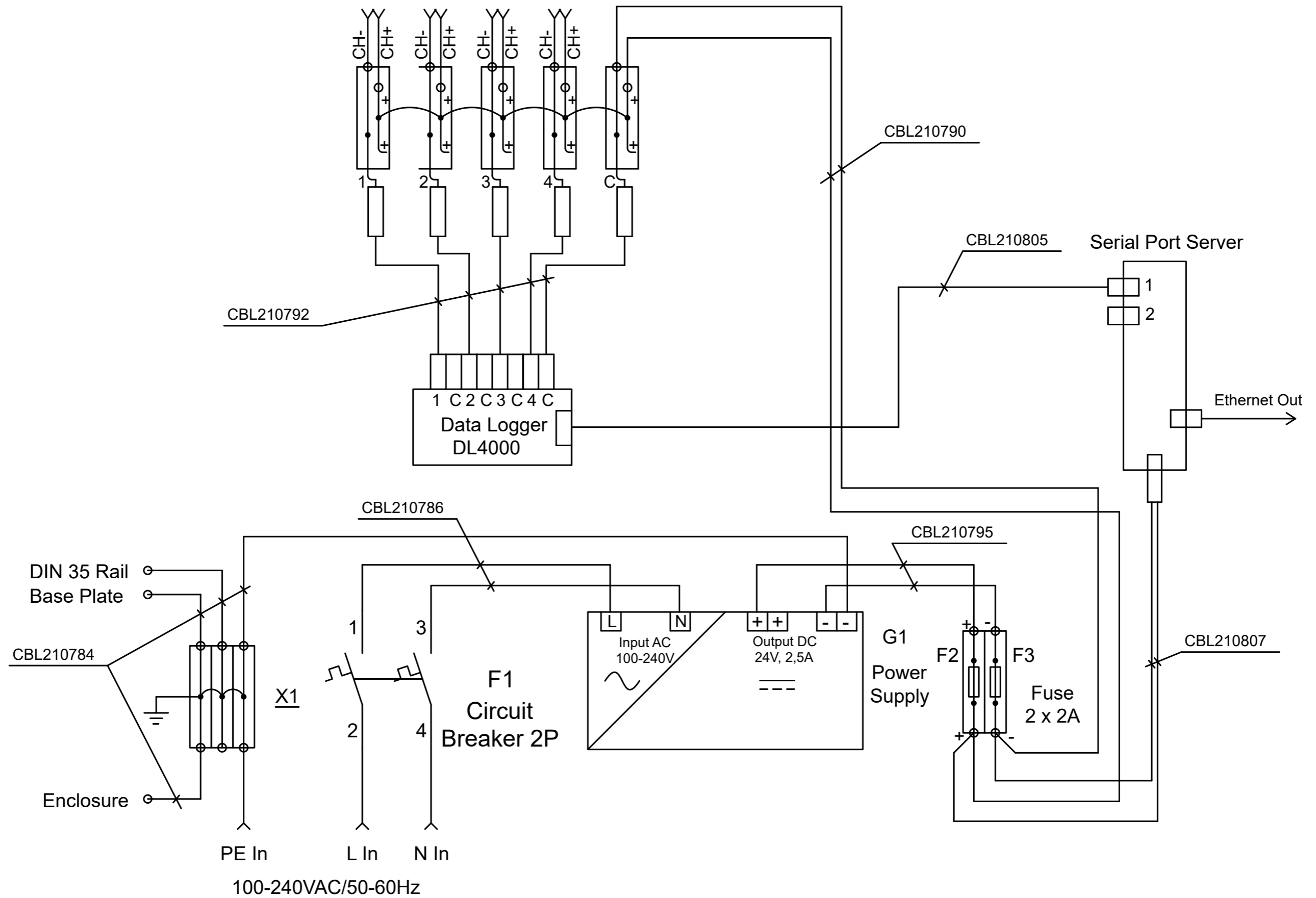
Wiring diagram for CAB100A PDT101 voltage model with serial port server and 24 VDC power supply



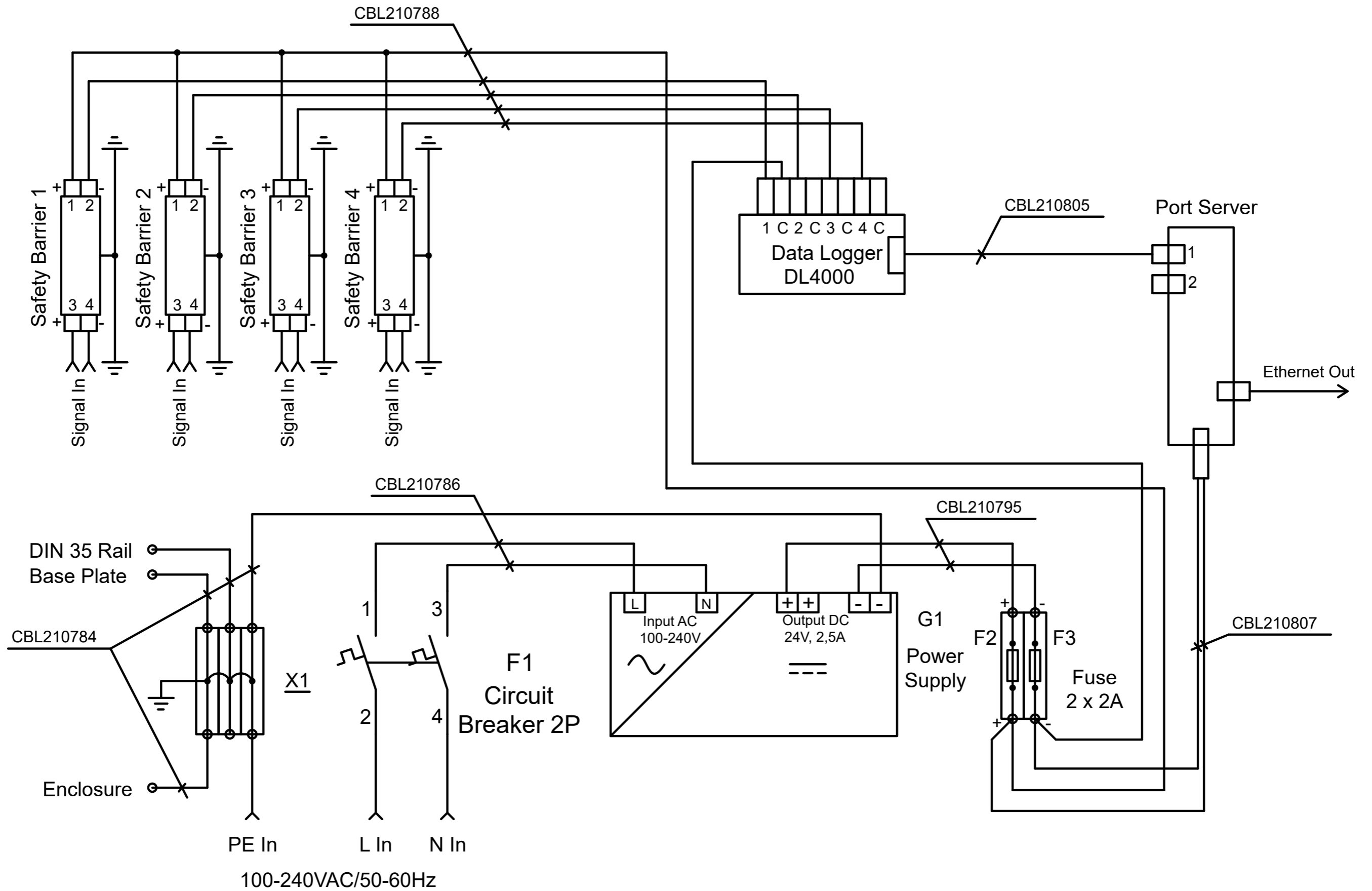
Wiring diagram for CAB100A PDT101 voltage model with vNet PoE



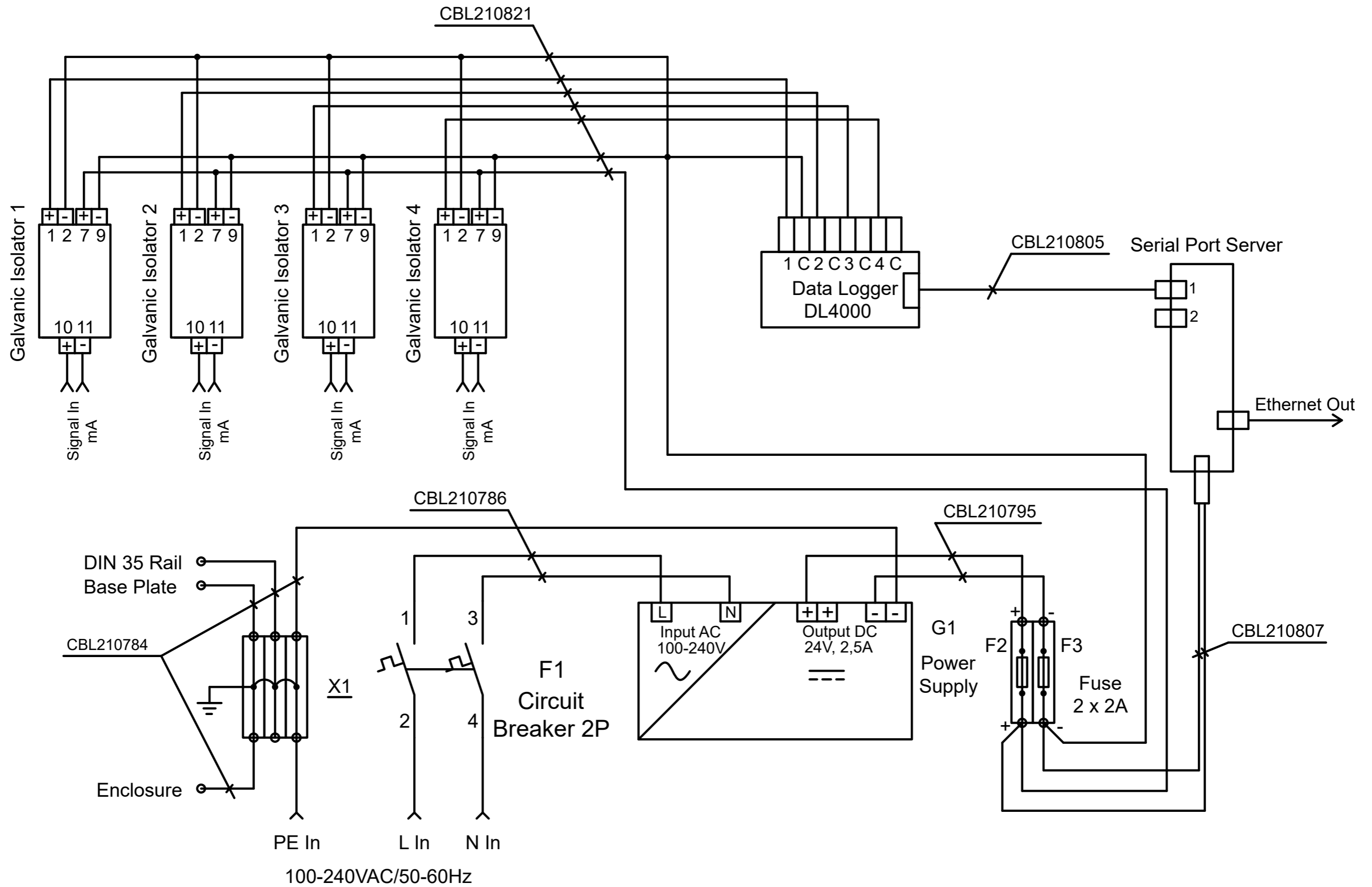
Wiring diagram for CAB100A analog channel model with serial port server and 24 VDC power supply



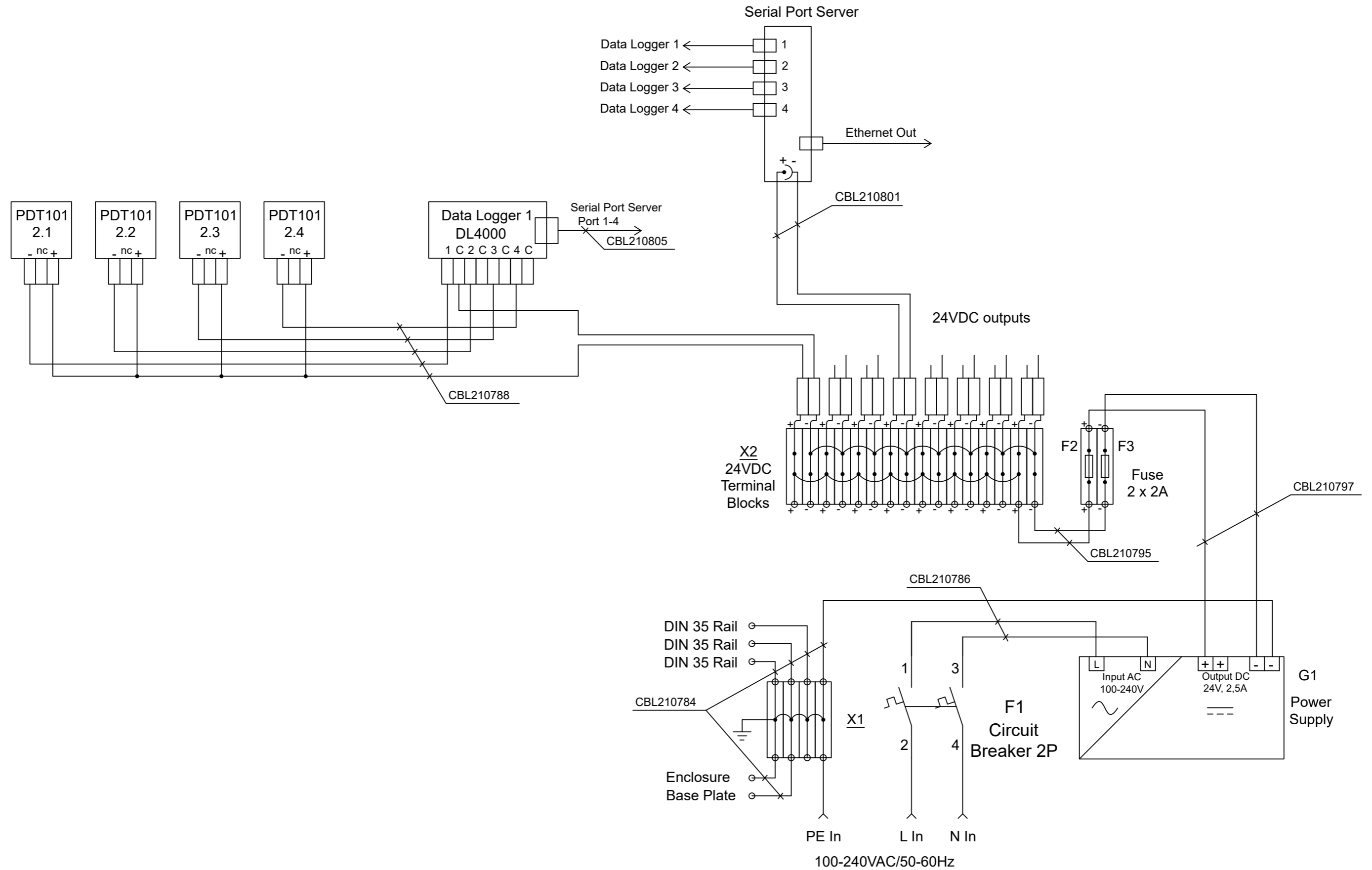
Wiring diagram for CAB100A safety barrier model with serial port server and 24 VDC power supply



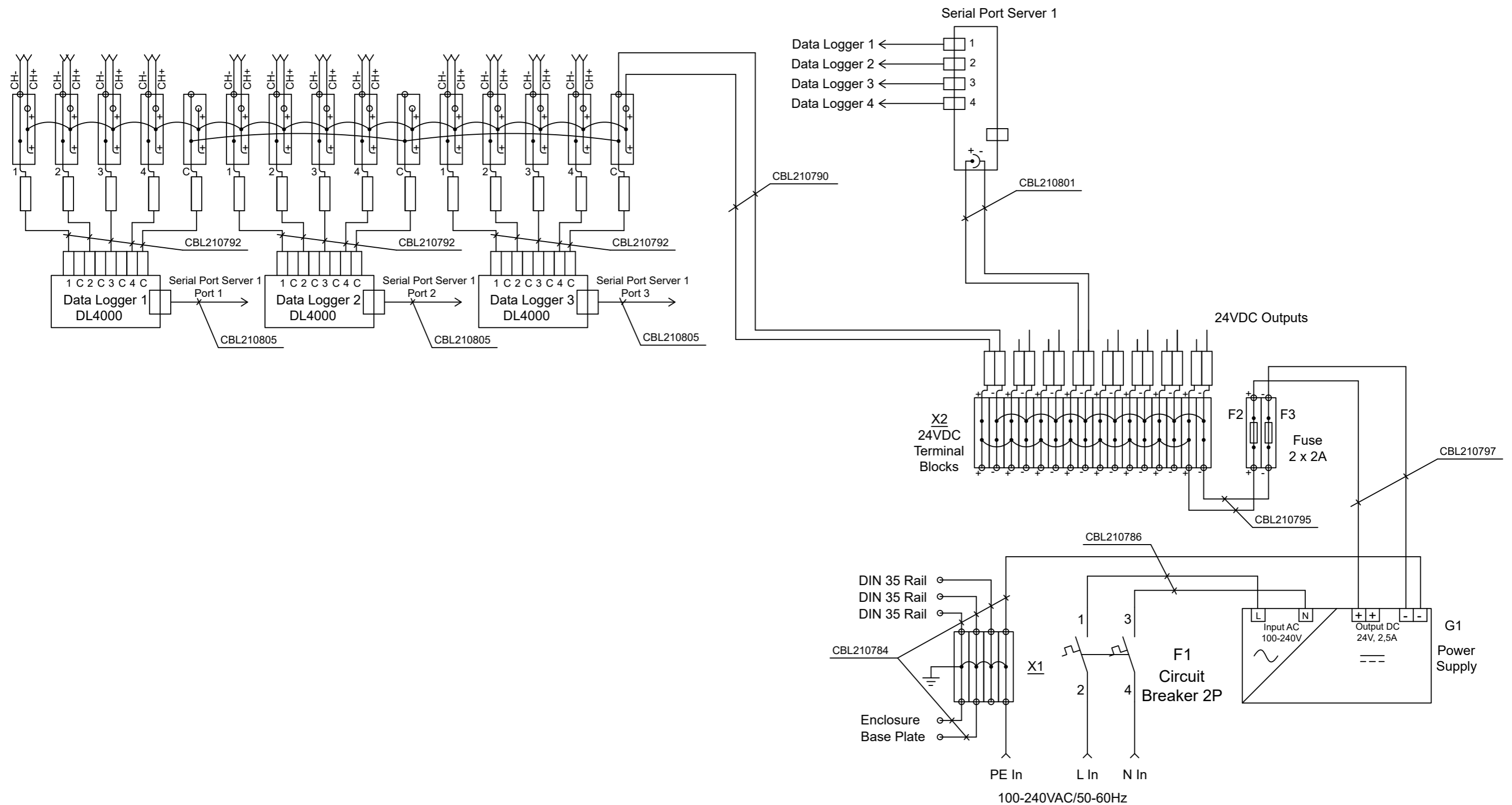
Wiring diagram for CAB100A galvanic isolator model with serial port server and 24 VDC power supply



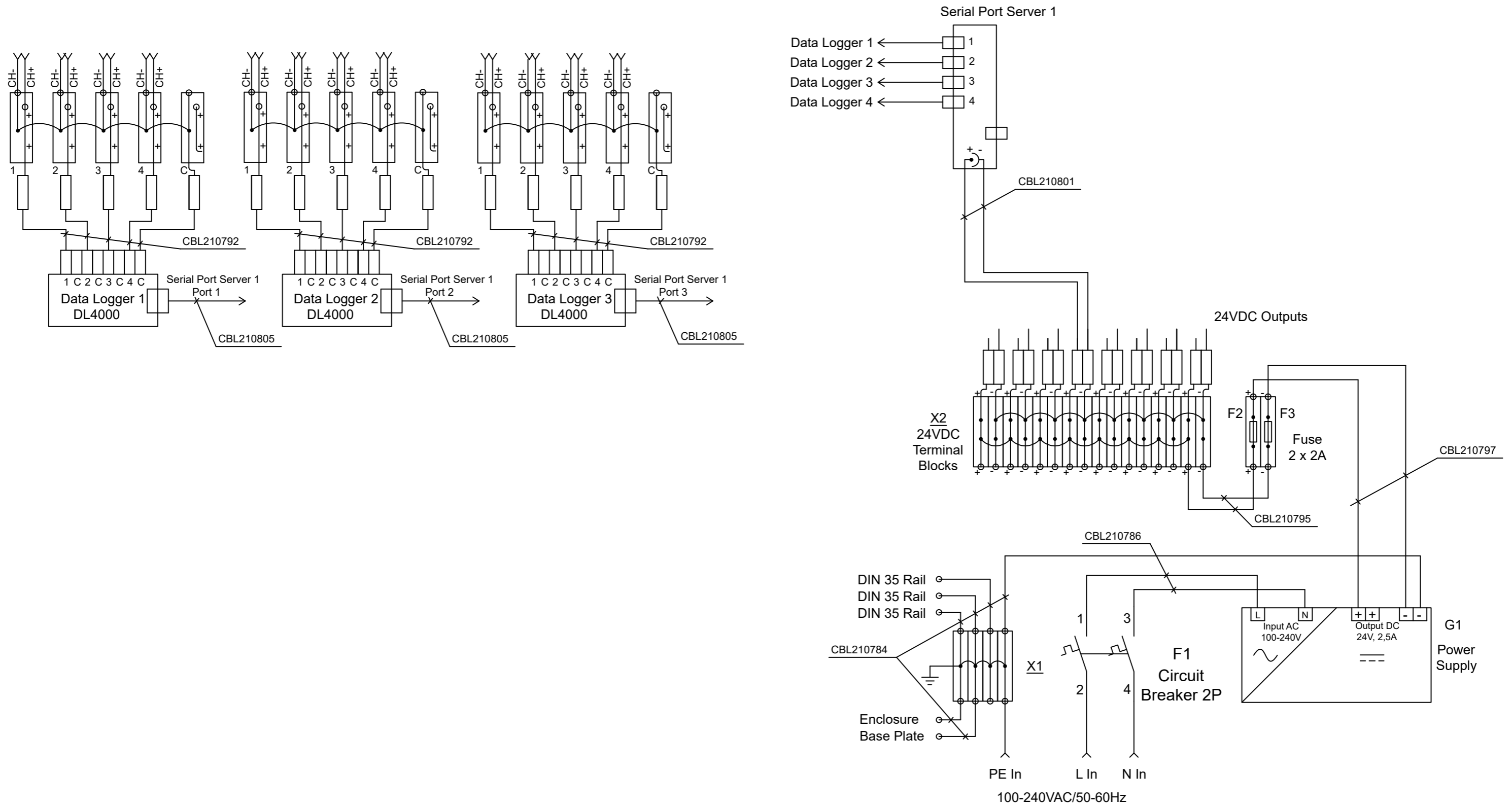
Wiring diagram for CAB100B PDT101 model



Wiring diagram for CAB100B analog channel model used with loop-powered measurement devices

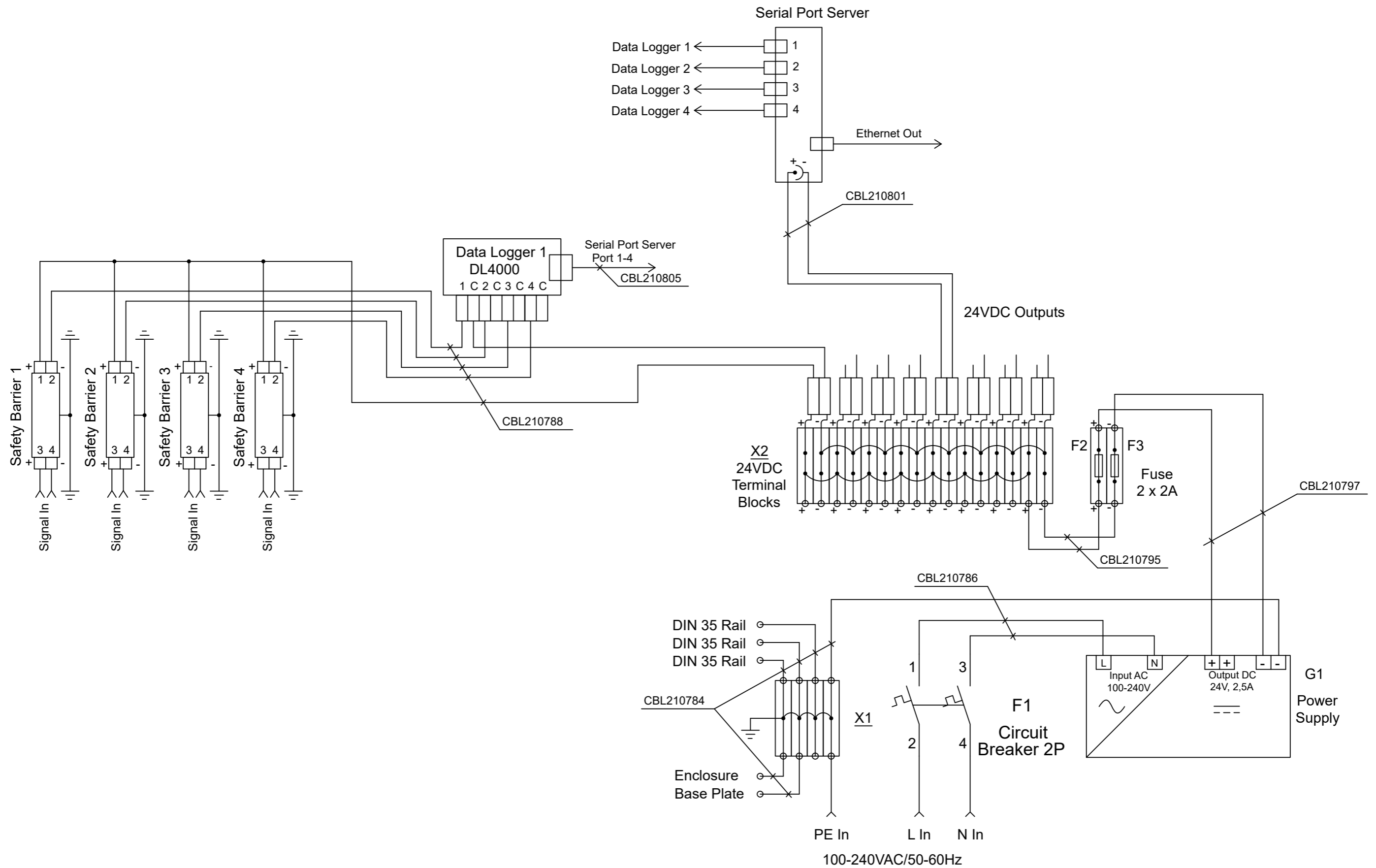


Wiring diagram for CAB100B analog channel model used with externally powered measurement devices





Wiring diagram for CAB100B safety barrier model



Wiring diagram for CAB100B galvanic isolator model

