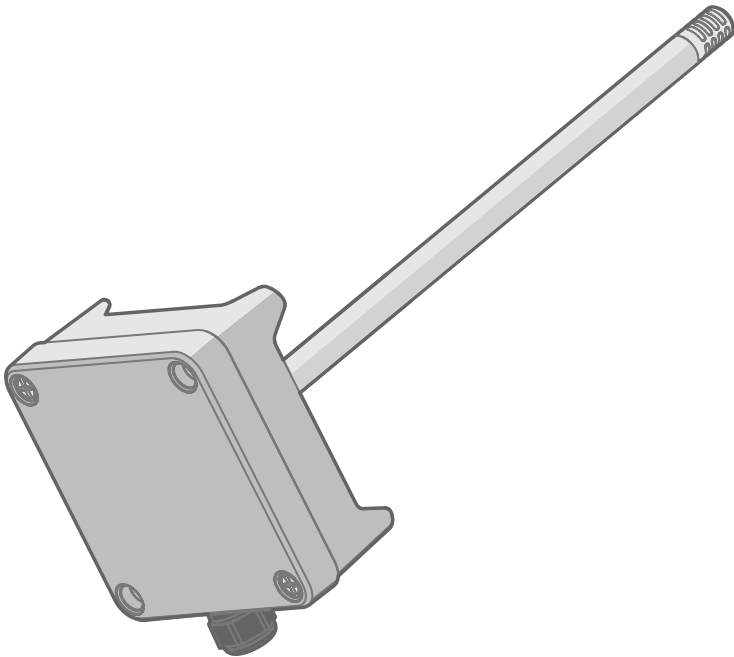


Quick Guide

HMD60 Series Humidity and Temperature Transmitters for Ducts in HVAC

HMD62 TMD62



VAISALA

PUBLISHED BY

Vaisala Oyj
Vanha Nurmijärventie 21, FI-01670 Vantaa, Finland
P.O. Box 26, FI-00421 Helsinki, Finland
+358 9 8949 1

Visit our Internet pages at www.vaisala.com.

No part of this document may be reproduced, published or publicly displayed in any form or by any means, electronic or mechanical (including photocopying), nor may its contents be modified, translated, adapted, sold or disclosed to a third party without prior written permission of the copyright holder. Translated documents and translated portions of multilingual documents are based on the original English versions. In ambiguous cases, the English versions are applicable, not the translations.

The contents of this document are subject to change without prior notice.

Local rules and regulations may vary and they shall take precedence over the information contained in this document. Vaisala makes no representations on this document's compliance with the local

rules and regulations applicable at any given time, and hereby disclaims any and all responsibilities related thereto.

This document does not create any legally binding obligations for Vaisala towards customers or end users. All legally binding obligations and agreements are included exclusively in the applicable supply contract or the General Conditions of Sale and General Conditions of Service of Vaisala.

This product contains software developed by Vaisala or third parties. Use of the software is governed by license terms and conditions included in the applicable supply contract or, in the absence of separate license terms and conditions, by the General License Conditions of Vaisala Group.

Table of Contents

English.....	5
Deutsch.....	17
Français.....	29
Español.....	43
Português.....	55
Русский.....	67
日本語.....	81
中文.....	93

Introduction to HMD60 Series

The duct mounted HMD60 HUMICAP® Humidity and Temperature Transmitters are designed for monitoring humidity and temperature in demanding HVAC and light industrial applications. HMD60 series transmitters provide stable, reliable, and highly accurate (up to $\pm 1.5\%$ RH and $\pm 0.1\text{ °C}$ (0.18 °F)) measurements, and are resistant to chemicals and dust.

HMD60 series transmitter options include 2 analog output models: HMD62 for measuring both humidity and temperature, and TMD62 for temperature measurements. Both HMD62 and TMD62 use 4 ... 20 mA loop powered current output. The HMD65 transmitter model includes both analog and digital output options.

Thanks to easy access to electronics also when the transmitter is installed to a duct, configuration and adjustment can be carried out quickly and conveniently. Available configuration and adjustment interface options range from physical trimmers and DIP switches on the transmitter's circuit board to Vaisala Insight PC software for Windows®.

HMD62 and TMD62 Basic Features and Options

- Measurement options:
 - HMD62 for humidity and temperature measurement
 - TMD62 for temperature measurement
- Humidity parameters available as output options in HMD62: RH, T_{di} , T_{df} , A, X, T_w , H
- Analog output: 4 ... 20 mA, loop powered
 - HMD62: 2 analog output channels for humidity and temperature measurements
 - TMD62: 1 analog output channel for temperature measurement
- Power supply input: 10 ... 35 VDC / 20 ... 35 VDC
- Configuration and adjustment options:
 - RH and T measurement field adjustment with trimmers
 - Humidity output parameter selection with DIP switches (HMD62)
 - Field adjustment with MI70 hand-held indicator
 - Configuration and adjustment with Vaisala Insight PC software

Output Parameter Scaling

- Default temperature analog output scale: $-20 \dots +80\text{ °C}$ ($-4 \dots +176\text{ °F}$)
- Default scaling for humidity parameters (HMD62): see [Table 2 \(page 15\)](#).
- To change the default scaling of an analog output parameter, use Vaisala Insight PC software. See the instructions in *HMD60 User Guide*.

More Information

For more detailed instructions for installing, configuring, and maintaining the HMD60 series transmitters, see *HMD62 and TMD62 User Guide in English M212016EN* and *HMD65 User Guide in English M212243EN* available at www.vaisala.com/HMD60.

Transmitter Parts

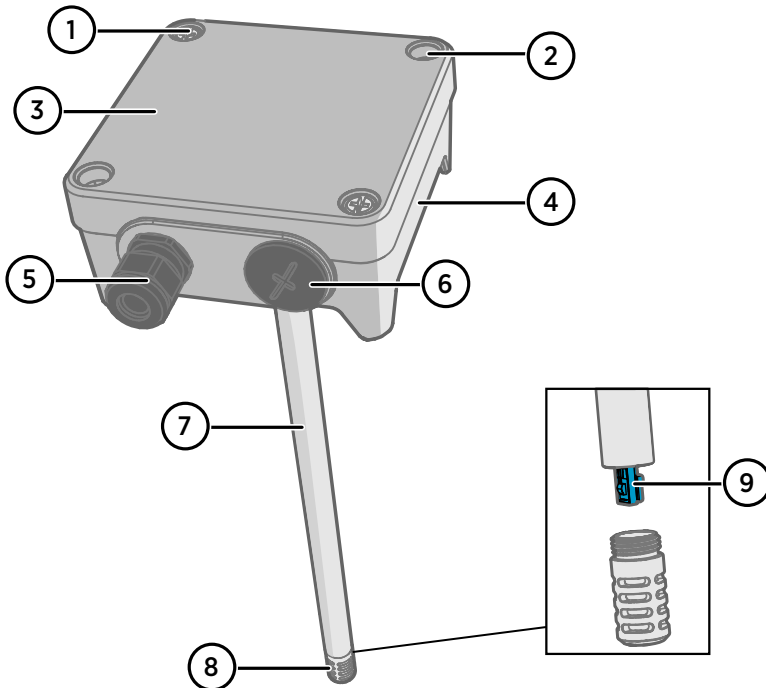


Figure 1 HMD62 and TMD62 Transmitter Parts Overview

- 1 Captive screw (2 pcs, cross-head) for attaching the lid of the transmitter.
- 2 Screw (2 pcs) for mounting the transmitter on the installation surface.
- 3 Transmitter lid. Open the captive screws of the lid to access input and output electronics.
- 4 Transmitter base. Contains the input and output connectors on the transmitter board: see [Transmitter Board \(page 10\)](#).
- 5 Cable gland (M16 x 1.5 lead-through) for leading wires into the transmitter. See *HMD60 User Guide* for cable gland and conduit options.
- 6 Alternative lead-through (M20 x 1.5) for wiring.
- 7 Probe body. Long (shown) and short probe options available: see [Transmitter Dimensions \(page 7\)](#).
- 8 Probe filter (default option: AISI 316L stainless steel). See *HMD60 User Guide* for filter options.
- 9 HUMICAP® sensor inside the probe filter.



CAUTION! Do not touch the sensor element.

Installation

Transmitter Dimensions

The dimensions are given in millimeters and [inches].

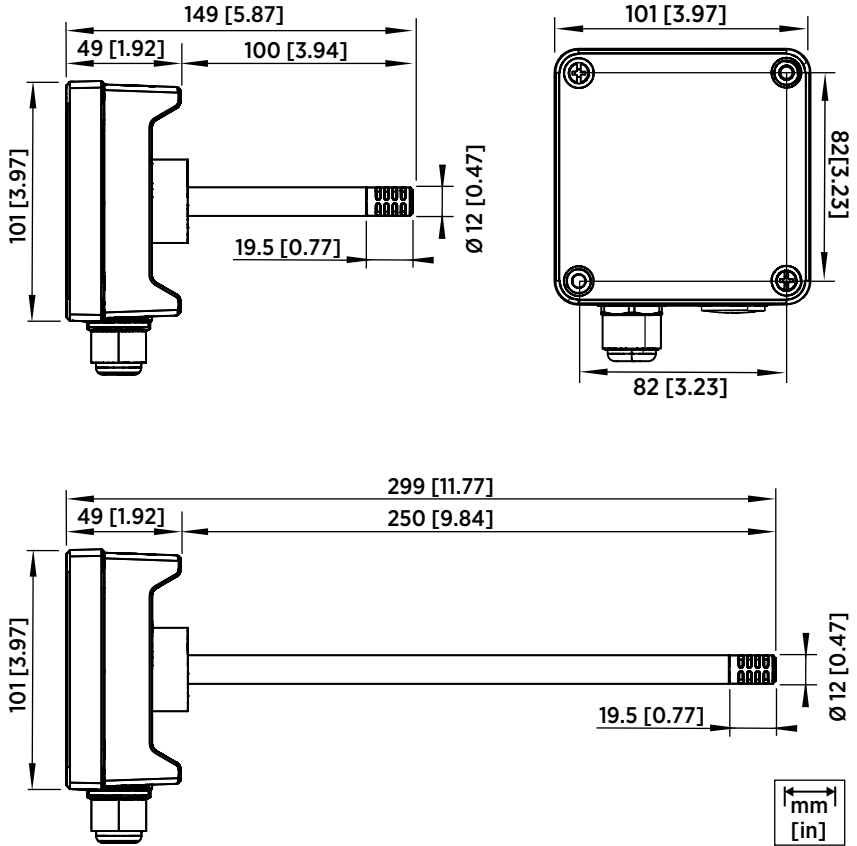


Figure 2 Dimensions with Long and Short Probe

Duct Mounting Overview

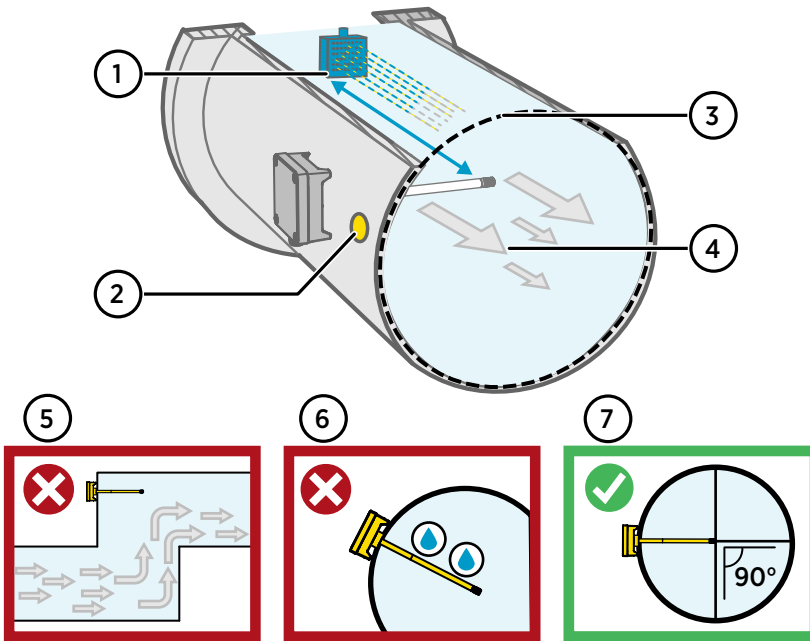


Figure 3 Duct Installation Overview

- 1 Make sure there is a minimum clearance of 5 m (16.5 ft) between the probe body and any possible humidifier.
- 2 When installing the transmitter, drill a second hole approximately 30 cm (12 in) from the installation hole, towards the direction of the air flow, and plug it with a removable seal. This second hole is intended for later use in reference measurement with another device when calibrating or adjusting the transmitter.
- 3 Check that the duct diameter is suitable for the probe body (see [Transmitter Dimensions \(page 7\)](#)). Ideally, the sensor (probe head) should be installed in the middle of the duct.
- 4 Maximum air flow speed: 50 m/s (with sintered filter).
- 5 Avoid installing the transmitter in dead legs. Supersaturation can occur in areas where there is no air flow.
- 6 Do not install the probe in a downward angle. Condensation can travel to the sensor along the probe body if the probe points down.
- 7 Install the probe in a 90° angle so that the sensor is placed as close to the middle of the duct as possible.



CAUTION! Avoid installing in a location where condensation can fall on the sensor inside the duct.

Installing into Duct



- Medium size crosshead screwdriver for mounting screws and lid screws.
- Small slotted screwdriver for screw terminals.
- Drill with 3.5 mm (0.14 in) and 13 ... 15 mm (0.51 ... 0.59 in) bits for making the installation holes.
- Tools for cutting and stripping wires.

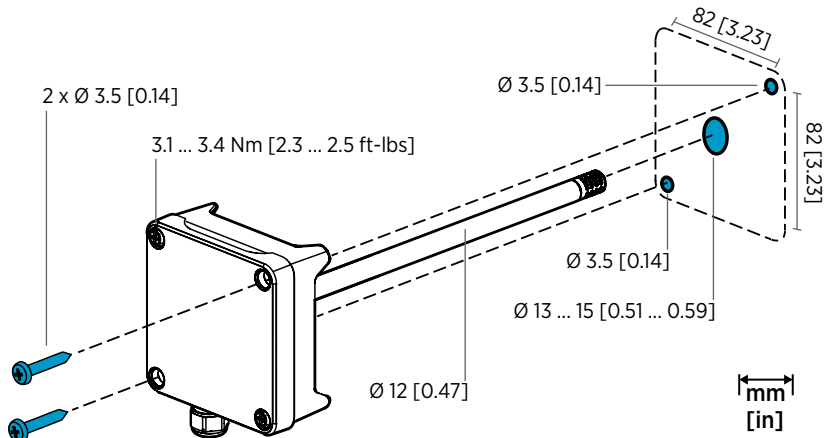


Figure 4 Drilling and Mounting Screws

- ▶ 1. Select an installation location for the transmitter on the duct surface and drill a $\text{Ø } 13 \dots 15 \text{ mm}$ (0.51 ... 0.59 in) hole for inserting the probe.
2. Push the probe through the hole on the duct until the transmitter body meets the duct.
3. Attach the transmitter body to the duct with 2 $\text{Ø } 3.5 \text{ mm}$ (0.14 in) screws.



Check that the insulation ring sits tightly over the installation hole. If the duct has a negative pressure, external air can be drawn into the duct and affect the measurement if the installation hole is not sealed tightly.

4. Optional: Drill a second hole for reference measurements approximately 30 cm (12 in) from the transmitter installation hole. See [Figure 3 \(page 8\)](#).
5. Open the 2 captive screws on the transmitter body and remove the lid.
6. Attach the input/output wiring to the screw terminals on the transmitter component board. See [Wiring \(page 11\)](#). Tighten cable glands firmly after wiring.
7. Check that the DIP switches and trimmers are in the correct position. See [DIP Switch Output Selection \(HMD62\) \(page 15\)](#) and [Trimmers \(page 14\)](#).
8. Close the transmitter lid and switch on the transmitter's power supply input.

Transmitter Board

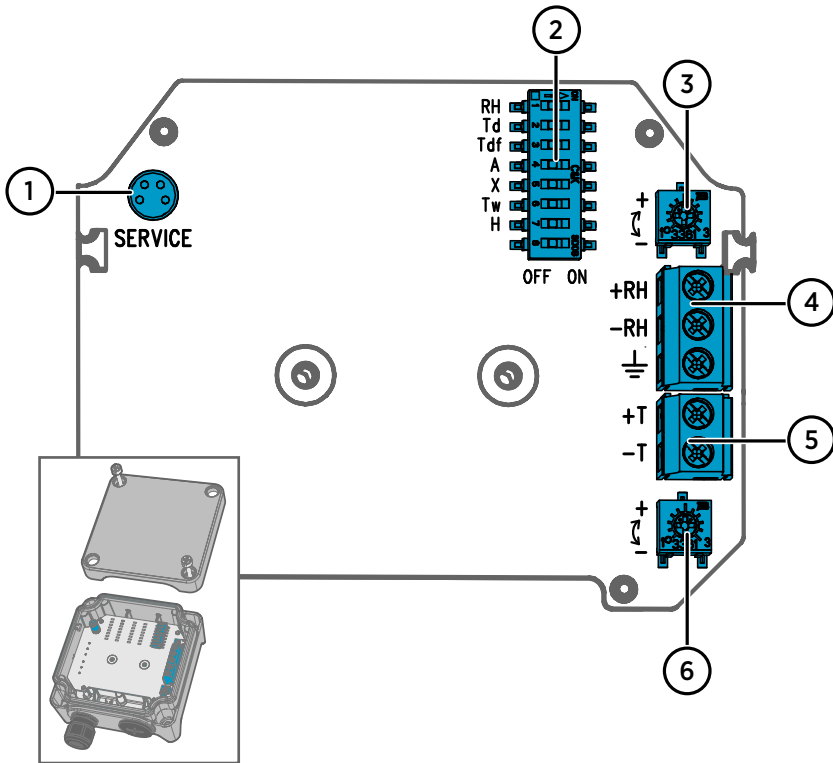


Figure 5 HMD60 Transmitter Board: Service Port, DIP switches, Trimmers and Screw Terminals

- 1 Service port for MI70 hand-held indicator and Insight PC software cable connection.
- 2 DIP switches for humidity parameter selection (HMD62).
- 3 Trimmer for humidity measurement adjustment (HMD62).
- 4 Screw terminals for humidity measurement output (HMD62).
- 5 Screw terminals for temperature measurement output.
- 6 Trimmer for temperature measurement adjustment.



The HMD62 board (shown in [Figure 5 \(page 10\)](#)) includes options for both humidity and temperature output. The TMD62 board includes only components limited to temperature output options. See [Wiring \(page 11\)](#) for more information.

Wiring

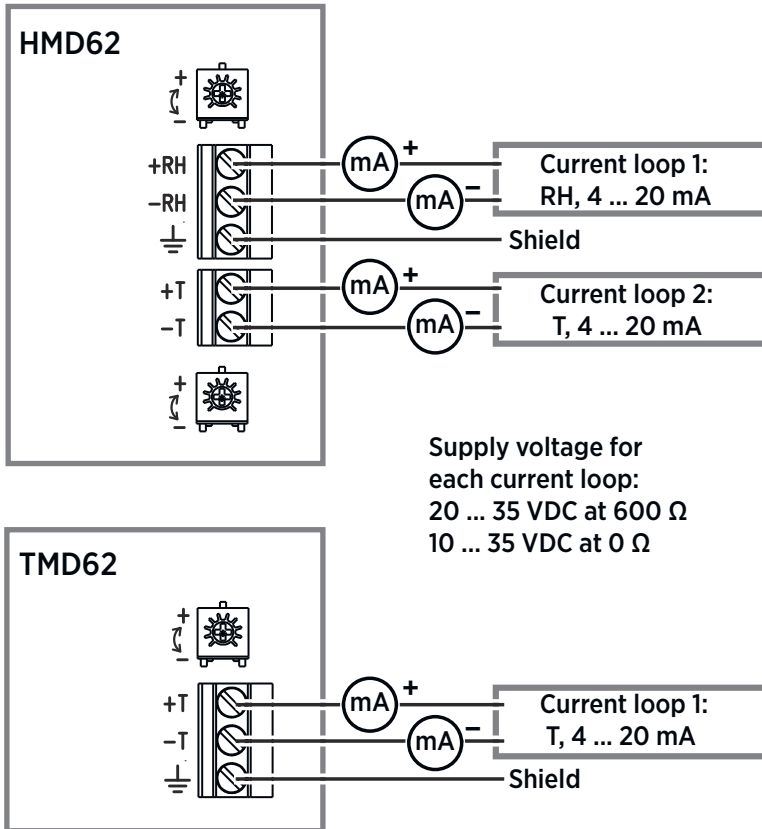


Figure 6 HMD62 and TMD62 Wiring Diagrams




WARNING! Make sure that you prepare or connect only de-energized wires.



Using a power supply with overload protection is recommended for electrical safety.

Inputs and Outputs

Table 1 Inputs and Outputs

Property	Specification
Analog output	<p>HMD62:</p> <ul style="list-style-type: none"> • 1 x RH output ¹⁾ 4 ... 20 mA current, loop powered • 1 x T output 4 ... 20 mA current, loop powered <p>TMD62:</p> <ul style="list-style-type: none"> • 1 x T output 4 ... 20 mA current, loop powered
Power supply input	<p>10 ... 35 VDC (RL = 0 Ω) 20 ... 35 VDC (RL = 600 Ω)</p> <div style="background-color: #e0e0e0; padding: 5px; border: 1px solid #ccc;">  Each current loop output requires its own power supply. </div>
Service port connector	M8 4-pin male connector for MI70 hand-held indicator (requires cable accessory 219980SP) or Vaisala Insight PC software cable connection (requires USB cable accessory 219690) ²⁾
Cable feed throughs	<ul style="list-style-type: none"> • M16 x 1.5 inlet, options available from Vaisala: <ul style="list-style-type: none"> • Cable Gland M16 x 1.5 (Vaisala order code: 254280SP). This is the default option delivered with HMD60. • Conduit Fitting M16x1.5, ½"NPT (Vaisala order code: 210675SP) • Alternative M20 x 1.5 inlet
Screw terminal wire size	0.5 ... 1.5 mm ²

1) Available calculated parameters for HMD62 include T_{ch} , T_{df} , A , X , T_w , and H .

2) Vaisala Insight software for Windows available at www.vaisala.com/insight.



CAUTION! Do not modify the unit or use it in ways not described in the documentation. Improper modification may lead to safety hazards, equipment damage, failure to perform according to specification, or decreased equipment lifetime.

Configuration Options

Vaisala Insight Software

Vaisala Insight software is a configuration software for Vaisala Indigo-compatible probes and transmitters. The supported operating systems are Windows 7 (64-bit), Windows 8.1 (64-bit), and Windows 10 (64-bit).



To ensure support for your HMD60 series transmitter, download the latest version of Insight at www.vaisala.com/insight.

With the Insight software, you can:

- See real-time measurements, device information and status.
- Configure outputs and scaling.
- Calibrate and adjust the device.

HMD60 can be connected to Insight using a Vaisala USB cable (order code 219690).

Connecting to Insight Software



- Computer with Vaisala Insight software installed
- USB connection cable (order code 219690)

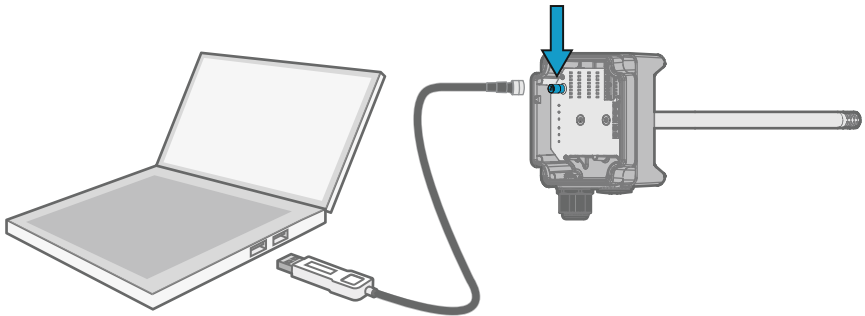


Figure 7 Connecting Transmitter to Insight

- ▶ 1. Open the Insight software.
2. Connect the USB cable to a free USB port on the PC.
3. Connect the USB cable to the service port of the transmitter.
4. Wait for Insight software to detect the transmitter.

Trimmers

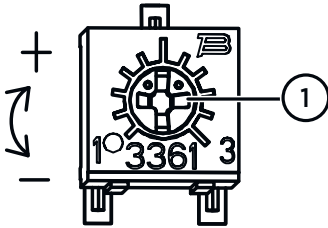


Figure 8 Component Board Adjustment Trimmer

- 1 Use a Phillips head screwdriver to rotate the RH or T adjustment trimmer. To increase the measurement output value, rotate the trimmer clockwise. To decrease, rotate counterclockwise. Note that there is a slight delay before the measurement output changes after rotating the trimmer.

You can adjust the transmitter's RH (HMD62) or T (HMD62 and TMD62) measurement output with the trimmers on the component board. During trimmer adjustment, the output of the transmitter is corrected using the trimmers until the output matches the known value of a reference.

In order to make an adjustment with the trimmers, you need a reference measurement source. You can either insert a reference instrument into the environment that HMD60 is installed in and compare the readings of the instruments, or remove HMD60 from the installation environment and use a calibration and adjustment tool (for example, Vaisala Humidity Calibrator HMK15) to generate an environment with a known value.

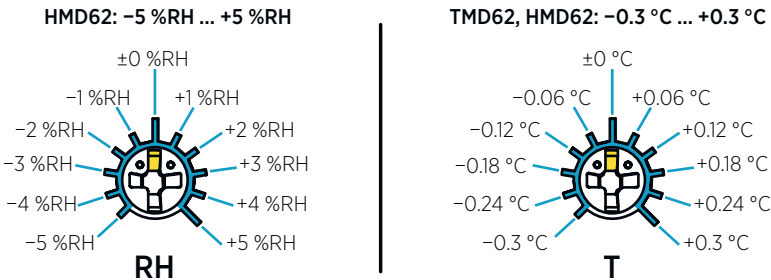


Figure 9 RH and T Trimmer Adjustment Ranges (Indicative)



You can only calibrate the relative humidity measurement (RH) and temperature measurement (T). Other parameters (available for HMD62) are calculated internally based on RH and T. Check that the output selection DIP switch is set to RH when making adjustments with the physical trimmer; when using the Insight PC software, set all DIP switches to the **OFF** position. For further information on using the adjustment trimmers, see *HMD60 User Guide*.



CAUTION! If you use the Insight PC software to adjust the measurement or to restore the factory settings, always return the physical trimmer to the middle position before starting. When you make an adjustment with Insight, the position in which the trimmer is at that point is set as the ±0 point.

DIP Switch Output Selection (HMD62)

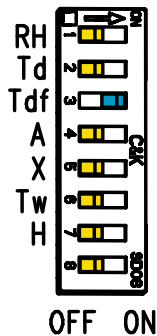


Figure 10 HMD62 DIP Switch Example: T_{df} Output Selected

- RH Relative humidity
- T_d Dew point temperature
- T_{df} Dew point/frost point temperature
- A Absolute humidity
- X Mixing ratio
- T_w Wet-bulb temperature
- H Enthalpy

You can change the humidity parameter that is output on the RH channel of HMD62 with the DIP switches on the component board. Select the parameter you want the transmitter to output by sliding the parameter's DIP switch to the right (**ON**). In the example in [Figure 10](#) (page 15), the transmitter's selected output parameter is dew point/frost point temperature (T_{df}). Keep the other DIP switches in the **OFF** position (left).

The selected parameter uses the default scaling shown in [Table 2](#) (page 15).

Table 2 HMD62 Default Parameter Scaling

Parameter	Default Scaling for 4 ... 20 mA Output Range
RH	0 ... 100 %RH
T_d	-40 ... +80 °C (-40 ... +176 °F)
T_{df}	-40 ... +80 °C (-40 ... +176 °F)
A	0 ... 300 g/m ³ (0 ... 131.1 gr/ft ³)
X	0 ... 600 g/kg (0 ... 4200 gr/lb)
T_w	-40 ... +80 °C (-40 ... +176 °F)
H	-40 ... 1600 kJ/kg (-9.5 ... 695.6 Btu/lb)



If you need to change the default scaling of a parameter, configure the output with Vaisala Insight PC software. See the instructions in *HMD60 User Guide*.



CAUTION! If you use the Insight software to further configure the output, note that the DIP switch selections override the Insight configuration. When using Insight to configure the output, set all DIP switches to the **OFF** position (left) to ensure they do not cause a conflict with the Insight settings.

Einführung zur Baureihe HMD60

Die leitungsmontierten Feuchte- und Temperaturmesswertgeber der Baureihe HMD60 HUMICAP® sind darauf ausgelegt, Feuchte und Temperatur in anspruchsvollen HLK-Installationen und leichten industriellen Anwendungen zu überwachen. Messwertgeber der Baureihe HMD60 sorgen für stabile, zuverlässige und hochpräzise Messungen (bis zu $\pm 1,5\%$ rF und $\pm 0,1\text{ }^\circ\text{C}$) und sind chemikalien- und staubbeständig.

Zu den Optionen für die Messwertgeber der Baureihe HMD60 gehören zwei Analogausgangsmodelle: HMD62 für Feuchte- und Temperaturmessungen sowie TMD62 für Temperaturmessungen. HMD62 und TMD62 verfügen über einen schleifengespeisten Stromausgang mit 4 ... 20 mA. Das Messwertgebermodell HMD65 ist mit Analog- und Digitalausgangsoptionen erhältlich.

Dank des einfachen Zugriffs auf die Elektronik, auch wenn der Messwertgeber in einer Leitung installiert ist, lassen sich Konfiguration und Einstellung schnell und bequem vornehmen. Die verfügbaren Schnittstellenoptionen für Konfiguration und Einstellung reichen von physischen Trimmern und DIP-Schaltern auf der Platine des Messwertgebers bis hin zur PC-Software Vaisala Insight für Windows®.

HMD62 und TMD62 – Grundlegende Merkmale und Optionen

- Messoptionen:
 - HMD62 für Feuchte- und Temperaturmessung
 - TMD62 für Temperaturmessungen
- Als Ausgabeoptionen bei HMD62 verfügbare Feuchteparameter: rF, T_{di} , T_{df} , A, X, T_w , H
- Analogausgang: 4 ... 20 mA, schleifengespeist
 - HMD62: 2 analoge Ausgabekanäle für Feuchte- und Temperaturmessungen
 - TMD62: 1 analoger Ausgabekanal für Temperaturmessung
- Versorgungsspannung: 10 ... 35 VDC/20–35 VDC
- Optionen für Konfiguration und Einstellung:
 - rF- und T-Messfeldanpassungen mit Trimmern
 - Parameterauswahl für die Feuchteausgabe mit DIP-Schaltern (HMD62)
 - Feldanpassung mit tragbarem Anzeigergerät MI70
 - Konfiguration und Einstellung mit der PC-Software Vaisala Insight

Ausgangsparameterskalierung

- Standardskala für Temperatur-Analogausgang: $-20 \dots +80\text{ }^\circ\text{C}$
- Standardskalierung für Feuchteparameter (HMD62): siehe [Tabelle 4 \(Seite 27\)](#).
- Verwenden Sie die PC-Software Vaisala Insight, um die Standardskalierung eines Analogausgangsparameters zu ändern. Anleitungen finden Sie im *HMD60 User Guide*.

Weitere Informationen

Detaillierte Anleitungen zu Installation, Konfiguration und Wartung von Messwertgebern der Baureihe HMD60 siehe *HMD62 and TMD62 User Guide in English M212016EN* und *HMD65 User Guide in English M212243EN* unter www.vaisala.com/HMD60.

Messwertgeber-Teile

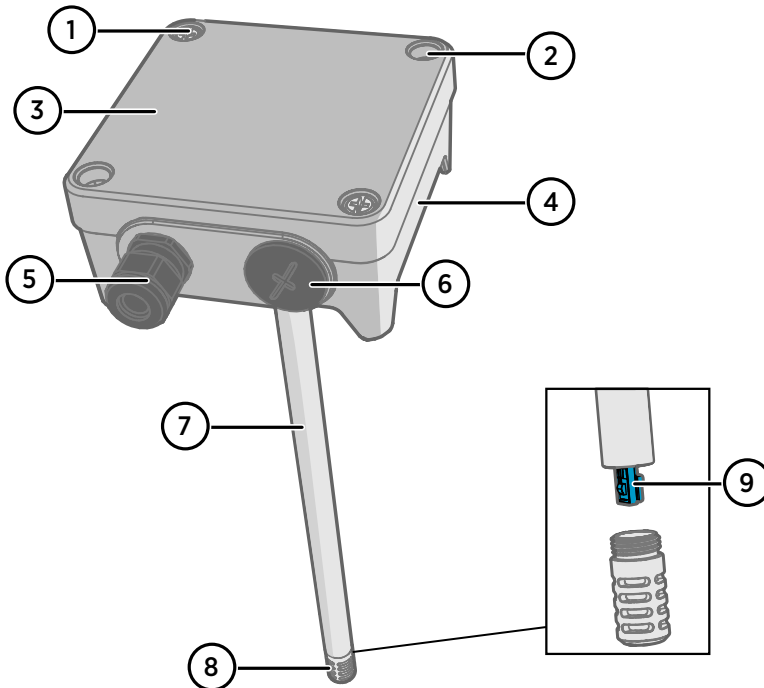


Abbildung 11 Komponenten der Messwertgeber HMD62 und TMD62 im Überblick

- 1 Unverlierbare Kreuzschlitzschrauben (2 Stück) zur Befestigung des Messwertgeberdeckels.
- 2 Schrauben (2 Stück) zur Anbringung des Messwertgebers auf der Montagefläche.
- 3 Messwertgeberdeckel. Öffnen Sie die unverlierbaren Schrauben des Deckels, um Zugriff auf die Eingabe- und Ausgabe-Elektronik zu erhalten.
- 4 Messwertgebersockel. Enthält die Ein- und Ausgangsanschlüsse auf der Platine des Messwertgebers: siehe [Platine des Messwertgebers \(Seite 22\)](#).
- 5 Kabeldurchführung (M16 x 1,5) zur Verlegung von Kabeln ins Innere des Messwertgebers. Optionen für Kabeldurchführung und Kabelkanäle finden Sie im *HMD60 User Guide*.
- 6 Alternative Durchführung (M20 x 1,5) für Verdrahtung.
- 7 Sondenkörper. Lange (abgebildet) und kurze Sonden erhältlich: siehe [Abmessungen des Messwertgebers \(Seite 19\)](#).
- 8 Sondenfilter (Standardoption: Edelstahl AISI 316L). Filteroptionen finden Sie im *HMD60 User Guide*.
- 9 HUMICAP®-Sensor im Inneren des Sondenfilters.



ACHTUNG Berühren Sie das Sensorelement nicht.

Installation

Abmessungen des Messwertgebers

Die Abmessungen sind in Millimeter und in [Zoll] angegeben.

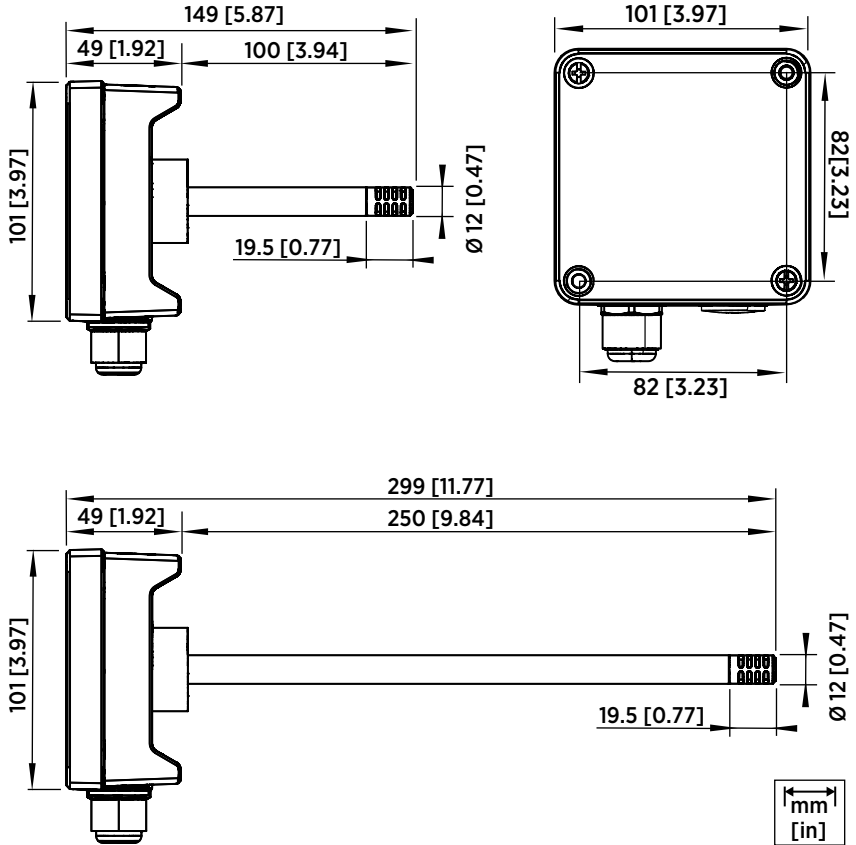


Abbildung 12 Abmessungen mit langer und kurzer Sonde

Übersicht zur Leitungsmontage

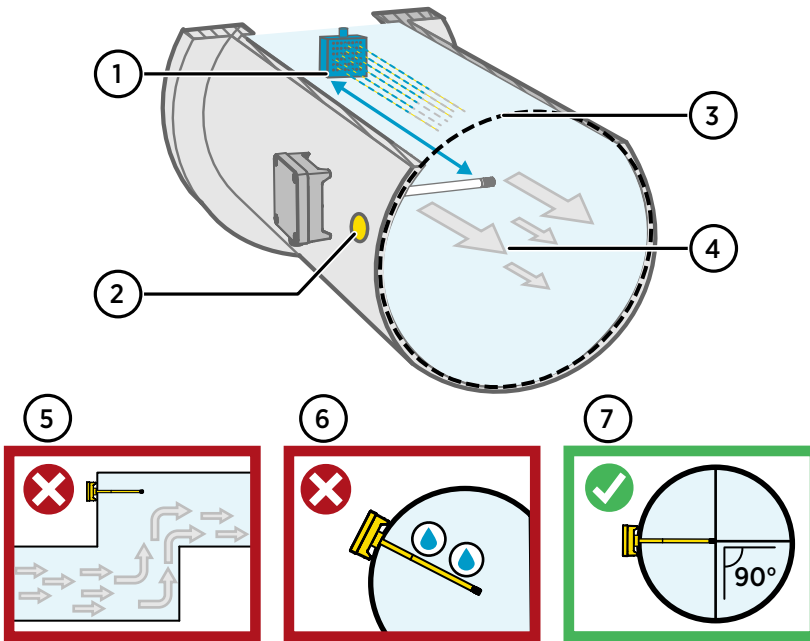


Abbildung 13 Übersicht zur Leitungsinstallation

- 1 Achten Sie auf einen Freiraum von mindestens 5 m (16,5 Fuß) zwischen dem Sondenkörper und vorhandenen Befeuchtern.
- 2 Bohren Sie beim Einbauen des Messwertgebers ein zweites Loch etwa 30 cm in Richtung des Luftstroms von der Einbaubohrung entfernt und verschließen Sie es mit einem Stopfen. Die zweite Bohrung wird später für Referenzmessungen mit einem anderen Gerät verwendet, wenn Sie den Messwertgeber kalibrieren oder einstellen.
- 3 Stellen Sie sicher, dass der Leitungsdurchmesser für den Sondenkörper ausreicht (siehe [Abmessungen des Messwertgebers \(Seite 19\)](#)). Im Idealfall sollte der Sensor (Sondenkopf) in der Mitte des Rohrs angebracht werden.
- 4 Maximale Geschwindigkeit des Luftstroms: 50 m/s (mit Sinterfilter).
- 5 Vermeiden Sie den Einbau der Sonde in Totleitungen. In Bereichen, in denen kein Luftstrom vorliegt, kann es zu Übersättigung kommen.
- 6 Installieren Sie die Sonde nicht in nach unten geneigter Position. Wenn die Sonde nach unten zeigt, kann Kondenswasser am Sondenkörper entlang zum Sensor fließen.
- 7 Installieren Sie die Sonde in einem Winkel von 90°, damit der Sensor sich so nahe wie möglich in der Mitte der Leitung befindet.



ACHTUNG Vermeiden Sie die Anbringung an einem Ort, an dem sich Kondenswasser auf dem Sensor in der Leitung absetzen kann.

Installation in einer Leitung



- Mittelgroßer Kreuzschlitzschraubendreher für Befestigungs- und Deckelschrauben.
- Kleiner Schlitzschraubendreher für die Schraubklemmen.
- Bohren Sie die Installationsöffnungen mit Bohrkronen von 3,5 mm (0,14 Zoll) und 13–15 mm (0,51–0,59 Zoll).
- Werkzeuge zum Schneiden und Absolieren von Kabeln.

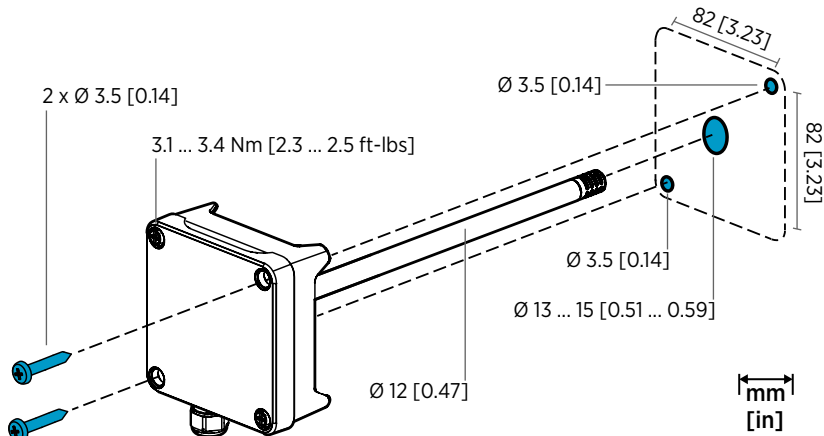


Abbildung 14 Bohren und Befestigungsschrauben

- ▶ 1. Wählen Sie auf der Leitungsoberfläche eine Einbauposition für den Messwertgeber aus und bohren Sie eine Öffnung mit einem Durchmesser von 13–15 mm (0,51–0,59 Zoll) zum Einfügen der Sonde.
2. Schieben Sie die Sonde durch die Öffnung in der Leitung, bis das Gehäuse des Messwertgebers mit der Leitung in Berührung kommt.
3. Befestigen Sie das Gehäuse des Messwertgebers mit 2 Schrauben mit einem Durchmesser von 3,5 mm (0,14 Zoll) an der Leitung.



Achten Sie darauf, dass der Isolierring fest über der Installationsöffnung sitzt. Wenn in der Leitung negativer Druck vorliegt, kann Außenluft in die Leitung gesogen werden und das Messergebnis beeinflussen, falls die Installationsöffnung nicht fest genug abgedichtet ist.

4. Optional: Bohren Sie ein zweites Loch für Referenzmessungen ca. 30 cm von der Einbaubohrung des Messwertgebers entfernt. Siehe [Abbildung 13 \(Seite 20\)](#).
5. Lösen Sie die 2 unverlierbaren Schrauben am Gehäuse des Messwertgebers und nehmen Sie den Deckel ab.
6. Befestigen Sie die Eingabe-/Ausgabekabel an den Schraubklemmen auf der Platine des Messwertgebers. Siehe [Verdrahtung \(Seite 23\)](#). Ziehen Sie die Kabelverschraubungen fest, nachdem Sie die Kabel verlegt haben.

7. Stellen Sie sicher, dass sich die DIP-Schalter und die Trimmer in der richtigen Position befinden. Siehe [Ausgabeauswahl per DIP-Schalter \(HMD62\) \(Seite 27\)](#) und [Trimmer \(Seite 26\)](#).
8. Schließen Sie den Deckel des Messwertgebers und stellen Sie die Stromzufuhr zum Messwertgeber her.

Platine des Messwertgebers

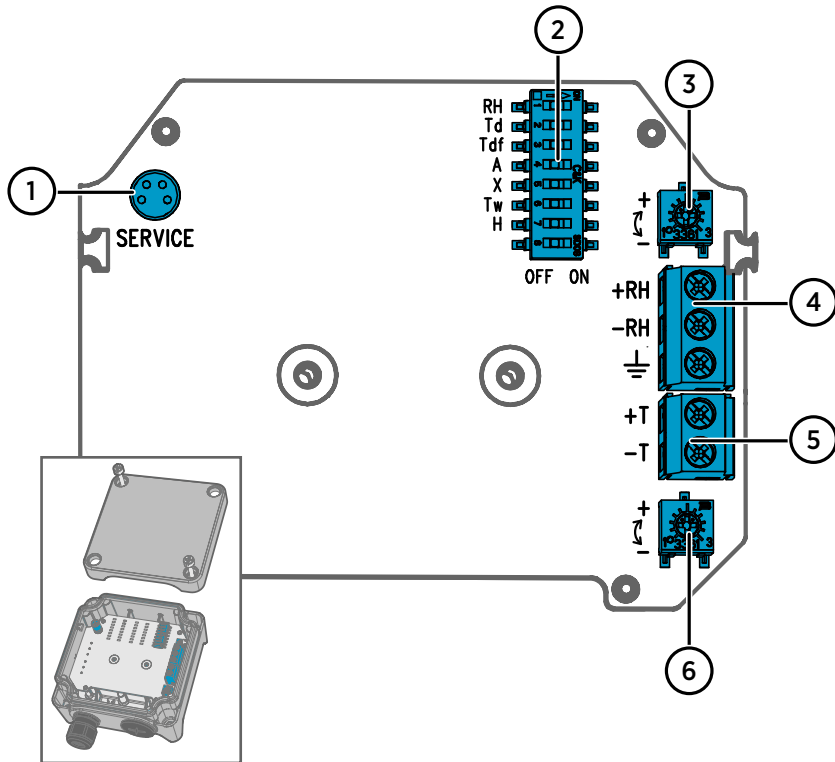


Abbildung 15 Platine des Messwertgebers HMD60: Serviceschnittstelle, DIP-Schalter, Trimmer und Schraubklemmen

- 1 Serviceschnittstelle für tragbares Anzeigegerät MI70 und Kabelanschluss für PC-Software Insight.
- 2 DIP-Schalter zur Auswahl von Feuchteparametern (HMD62).
- 3 Trimmer zur Anpassung von Feuchtemessungen (HMD62).
- 4 Schraubklemmen für Ausgang der Feuchtemessung (HMD62).
- 5 Schraubklemmen für Ausgang der Temperaturmessung.
- 6 Trimmer zur Einstellung der Temperaturmessung.



Die Platine des HMD62 (dargestellt in [Abbildung 15 \(Seite 22\)](#)) umfasst Optionen für die Feuchte- und Temperatureingabe. Die Platine des TMD62 enthält nur Komponenten mit Optionen für die Temperatureingabe. Einzelheiten finden Sie im Abschnitt [Verdrahtung \(Seite 23\)](#).

Verdrahtung

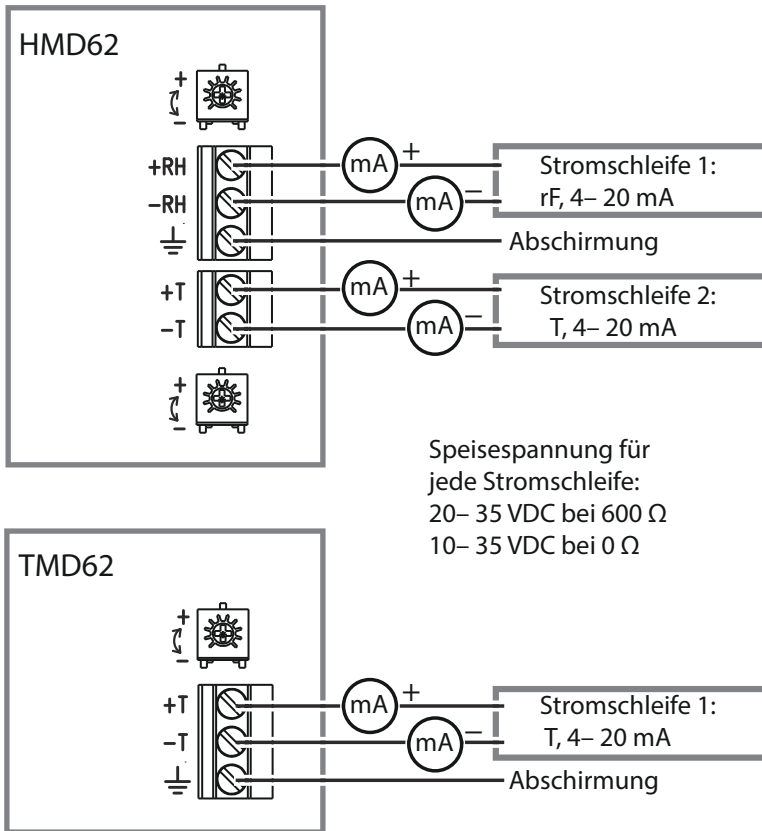


Abbildung 16 Verdrahtungsdiagramme HMD62 und TMD62




WARNUNG Sie dürfen nur Kabel vorbereiten oder anschließen, an denen keine Spannung anliegt.



Für die elektrische Sicherheit wird ein Stromanschluss mit Überlastschutz empfohlen.

Ein- und Ausgänge

Tabelle 3 Ein- und Ausgänge

Eigenschaft	Spezifikation
Analogausgang	HMD62: <ul style="list-style-type: none"> • 1 x rF-Ausgang ¹⁾ 4– 20 mA schleifengespeister Strom • 1 x T-Ausgang 4– 20 mA schleifengespeister Strom
	TMD62: <ul style="list-style-type: none"> • 1 x T-Ausgang 4– 20 mA schleifengespeister Strom
Versorgungsspannung	10–35 VDC (rF = 0 Ω) 20–35 VDC (rF = 600 Ω)
 Jeder schleifengespeiste Stromausgang benötigt eine eigene Stromversorgung.	
Anschluss der Serviceschnittstelle	4-poliger M8-Steckverbinder für tragbares Anzeigegerät MI70 (Kabelzubehör 219980SP wird benötigt) oder Kabelanschluss für PC-Software Vaisala Insight (USB-Kabelzubehör 219690 wird benötigt) ²⁾
Kabeldurchführungen	<ul style="list-style-type: none"> • Einlass M16 x 1,5, Optionen von Vaisala erhältlich: <ul style="list-style-type: none"> • Kabeldurchführung M16 x 1,5 (Vaisala-Bestellnummer: 254280SP). Dies ist die im Lieferumfang von HMD60 enthaltene Standardoption. • Rohrformteil M16 x 1,5, ½" NPT (Vaisala-Bestellnummer: 210675SP) • Alternativer Einlass M20 x 1,5
Schraubklemmengröße	0.5 ... 1,5 mm ²

1) Zu den verfügbaren berechneten Parametern für HMD62 gehören T_d , T_{df} , A , X , T_w und H .

2) Software Vaisala Insight für Windows erhältlich unter www.vaisala.com/insight.



ACHTUNG Modifizieren Sie die Einheit nicht und setzen Sie sie ausschließlich in der Weise ein, die in der Dokumentation beschrieben ist. Unsachgemäße Modifikationen können zu Sicherheitsrisiken, Geräteschäden, Abweichung von den Spezifikationen im Betrieb oder verkürzter Lebensdauer der Anlage führen.

Konfigurationsoptionen

Software Vaisala Insight

Die Software Vaisala Insight ist eine Konfigurationssoftware für Sonden und Messwertgeber, die mit Vaisala Indigo kompatibel sind. Die unterstützten Betriebssysteme sind Windows 7 (64 Bit), Windows 8.1 (64 Bit) und Windows 10 (64 Bit).



Um den Support für Ihren Messwertgeber der Baureihe HMD60 sicherzustellen, laden Sie die neueste Version von Insight unter www.vaisala.com/insight herunter.

Die Software Insight bietet folgende Möglichkeiten:

- Anzeige von Messungen, Geräteinformationen und Gerätestatus in Echtzeit.
- Konfiguration von Ausgängen und Skalierung.
- Kalibrierung und Einstellung des Geräts.

HMD60 kann über ein Vaisala USB-Kabel (Bestellnummer 219690) mit Insight verbunden werden.

Herstellen der Verbindung zur Software Insight



- Computer, auf dem die Software Vaisala Insight installiert ist
- USB-Verbindungskabel (Bestellnummer 219690)

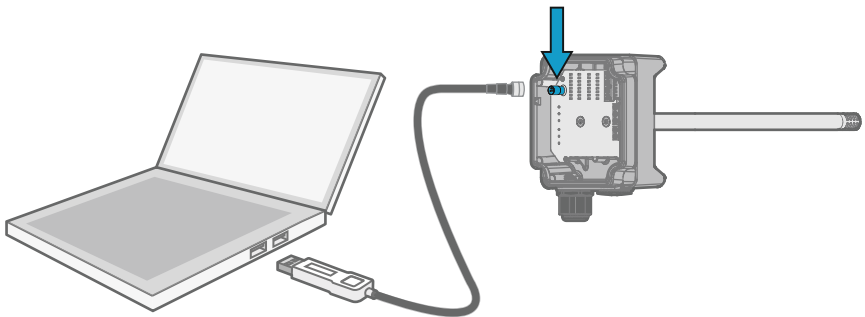


Abbildung 17 Verbinden des Messwertgebers mit Insight

- ▶ 1. Starten Sie die Software Insight.
2. Verbinden Sie das USB-Kabel mit einem freien USB-Anschluss am PC.
3. Schließen Sie das USB-Kabel an die Serviceschnittstelle des Messwertgebers an.
4. Warten Sie, bis Insight den Messwertgeber erkannt hat.

Trimmer

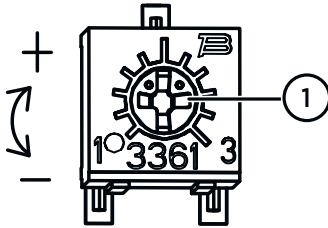


Abbildung 18 Einstellungstrimmer auf der Komponentenplatte

- 1 Drehen Sie den rF- oder T-Einstellungstrimmer mit einem Kreuzschlitzschraubendreher. Zur Erhöhung des Ausgabewerts der Messung drehen Sie den Trimmer im Uhrzeigersinn. Zur Verringerung drehen Sie ihn gegen den Uhrzeigersinn. Beachten Sie, dass es nach der Drehung des Trimmers zu einer geringfügigen Verzögerung kommt, bevor sich die Datenausgabe ändert.

Sie können die rF-Ausgabe (HMD62) oder die T-Ausgabe (HMD62 und TMD62) der Messungen mit den Trimmern auf der Platine einstellen. Bei der Einstellung mit den Trimmern wird der Ausgang des Messwertgebers justiert, bis die Ausgabe einem bekannten Referenzwert entspricht.

Für die Einstellung mit den Trimmern benötigen Sie eine Bezugsmessungsquelle. Sie können entweder ein Referenzinstrument in die Umgebung des HMD60 einsetzen und die Messwerte der Geräte miteinander vergleichen oder den HMD60 aus der Installationsumgebung entfernen und mit einem Werkzeug zur Kalibrierung und Einstellung (z. B. Vaisala Feuchtekalibrator HMK15) eine Umgebung mit einem bekannten Wert schaffen.

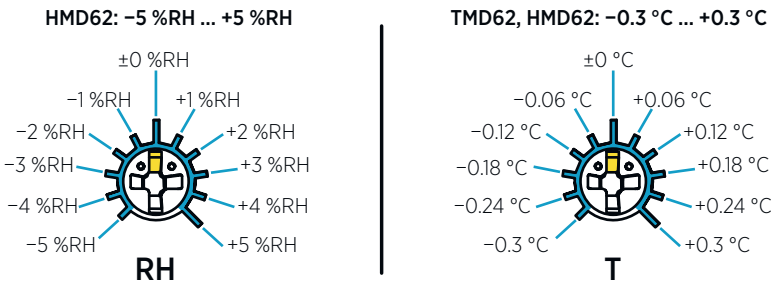


Abbildung 19 rF- und T-Trimmereinstellungsbereiche (indikativ)



Sie können nur die Messung der relativen Feuchte (rF) und der Temperatur (T) kalibrieren. Andere Parameter (verfügbar bei HMD62) werden intern auf der Grundlage von rF und T berechnet. Achten Sie darauf, dass der DIP-Schalter für die Ausgabeauswahl auf rF eingestellt ist, wenn Sie Anpassungen mit dem physischen Trimmer vornehmen. Wenn Sie die PC-Software Insight verwenden, müssen alle DIP-Schalter in der Position **OFF** stehen. Weitere Informationen zur Verwendung der Einstellungstrimmer finden Sie unter *HMD60 User Guide*



ACHTUNG Wenn Sie mit der PC-Software Insight die Messungen justieren oder die Werkseinstellungen wiederherstellen, setzen Sie die Trimmer vor Beginn des Verfahrens immer in die Mittelstellung zurück. Wenn Sie eine Einstellung mit Insight vornehmen, wird die Position, in der sich der Trimmer zu dem Zeitpunkt befindet, als Punkt ± 0 interpretiert.

Ausgabeauswahl per DIP-Schalter (HMD62)

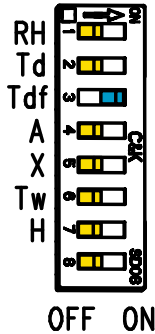


Abbildung 20 Beispiel für DIP-Schalter bei HMD62: Ausgang T_{df} ausgewählt

- rF Relative Feuchte
- Td Taupunkttemperatur
- Tdf Taupunkt-/Frostpunkttemperatur
- A Absolute Feuchte
- X Mischungsverhältnis
- Tw Feuchttemperatur
- H Enthalpie

Mit dem DIP-Schalter auf der Platine können Sie den Feuchteparameter ändern, der auf dem rF-Kanal von HMD62 ausgegeben wird. Wählen Sie den Parameter, den der Messwertgeber ausgeben soll, indem Sie den DIP-Schalter des Parameters nach rechts schieben (**ON**). Bei dem Beispiel in [Abbildung 20 \(Seite 27\)](#) ist die Taupunkt-/Frostpunkttemperatur der ausgewählte Ausgabeparameter des Messwertgebers (T_{df}). Lassen Sie die anderen DIP-Schalter in der Position **OFF** (links).

Der ausgewählte Parameter verwendet die in [Tabelle 4 \(Seite 27\)](#) gezeigte Standardskalierung.

Tabelle 4 Parameter-Standardskalierung HMD62

Parameter	Standardskalierung 4–20 mA Ausgangsbereich
rF	0–100 % rF
T _d	-40 ... +80 °C (-40 bis +176 °F)
T _{df}	-40 ... +80 °C (-40 bis +176 °F)
A	0–300 g/m ³ (0–131,1 gr/ft ³)
X	0–600 g/kg (0–4200 gr/lb)
T _w	-40 ... +80 °C (-40 bis +176 °F)
H	-40–1600 kJ/kg (-9,5–695,6 Btu/lb)



Wenn Sie die Standardskalierung eines Parameters ändern müssen, konfigurieren Sie die Ausgabe mit der PC-Software Vaisala Insight. Anleitungen dazu finden Sie im *HMD60 User Guide*.



ACHTUNG Wenn Sie weitere Ausgaben mit Insight konfigurieren, beachten Sie, dass die Auswahl über DIP-Schalter die Insight-Konfiguration überschreibt. Wenn Sie Ausgaben mit Insight konfigurieren, stellen Sie alle DIP-Schalter in die Position **OFF** (links), damit es nicht zu Konflikten mit den über Insight vorgenommenen Einstellungen kommt.

Présentation de la série HMD60

Les transmetteurs d'humidité et de température Les HUMICAP® HMD60 pour montage sur gaine sont conçus pour surveiller l'humidité et la température dans les applications industrielles HVAC les plus exigeantes. Outre leur résistance aux produits chimiques et à la poussière, les transmetteurs de la série HMD60 assurent des mesures stables, fiables et extrêmement précises (jusqu'à $\pm 1,5$ % d'HR et $\pm 0,1$ °C (0,18 °F)).

Les options du transmetteur de la série HMD60 comprennent 2 modèles avec sortie analogique : Le HMD62 pour la mesure de l'humidité et de la température, et le TMD62 pour les mesures de température. Les transmetteurs HMD62 et TMD62 utilisent tous deux une sortie de courant alimentée par une boucle de 4 à 20 mA. Le modèle de transmetteur HMD65 comprend des sorties analogique et numérique.

L'accès aux composants électroniques est facile même lorsque le transmetteur est monté sur la gaine, la configuration et le réglage peuvent être effectués rapidement et de manière pratique. La configuration et le réglage se font par des potentiomètres et commutateurs DIP sur la carte électronique ou par le logiciel pour PC Vaisala Insight pour Windows®.

Caractéristiques de base et options des transmetteurs HMD62 et TMD62

- Options de mesure :
 - HMD62 pour la mesure d'humidité et de température
 - TMD62 pour la mesure de la température
- Paramètres d'humidité disponibles comme option de sortie dans le HMD62 : HR, T_d, T_{df}, A, X, T_w, H
- Sortie analogique : 4 ... 20 mA, alimentation par boucle
 - HMD62 : 2 canaux de sortie analogique pour les mesures d'humidité et de température
 - TMD62 : 1 canal de sortie analogique pour la mesure de la température
- Entrée d'alimentation électrique : 10 ... 35 VCC / 20 à 35 VCC
- Options de configuration et de réglage :
 - Réglage sur le terrain de mesure RH et T avec des condensateurs
 - Sélection de paramètre de sortie d'humidité avec des commutateurs DIP (HMD62)
 - Réglage sur le terrain avec l'indicateur portable MI70
 - Configuration et réglage avec le logiciel pour PC Vaisala Insight

Mise à l'échelle des paramètres de sortie

- Échelle de sortie analogique de température par défaut : -20 ... +80 °C (-4 ... +176 °F)
- Mise à l'échelle par défaut pour les paramètres d'humidité (HMD62) : consultez la section [Tableau 6 \(page 40\)](#).
- Pour modifier la mise à l'échelle par défaut d'un paramètre de sortie analogique, utilisez le logiciel Vaisala Insight pour PC. Reportez-vous aux instructions du *HMD60 User Guide*.

Plus d'informations

Pour les instructions d'installation, de configuration et de maintenance plus détaillées sur les transmetteurs de la série HMD60, reportez-vous au *HMD62 and TMD62 User Guide in English M212016EN* et au *HMD65 User Guide in English M212243EN* disponibles sur le site www.vaisala.com/HMD60.

Composition du transmetteur

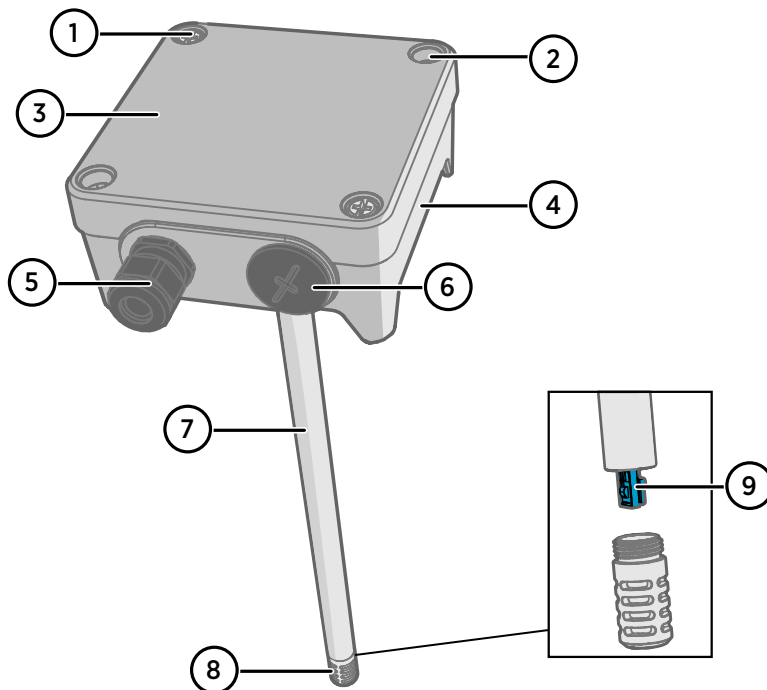


Figure 21 Présentation des éléments des transmetteurs HMD62 et TMD62

- 1 Vis captive (2 pièces, tête cruciforme) pour fixer le couvercle du transmetteur.
- 2 Vis (2 pièces) pour monter le transmetteur sur la paroi d'installation.
- 3 Couvercle du transmetteur. Desserrez les vis captives du couvercle pour accéder aux composants électroniques d'entrée et de sortie.
- 4 Base du transmetteur. Contient les connecteurs d'entrée et de sortie sur la carte du transmetteur : consultez la section [Carte du transmetteur \(page 35\)](#).
- 5 Presse-étoupe (passe-câble M16 x 1,5) pour l'acheminement des fils dans le transmetteur. Reportez-vous au guide *HMD60 User Guide* pour connaître les options de presse-étoupe et de gaine.
- 6 Passe-câble alternatif (M20 x 1,5) pour le câblage.
- 7 Corps de la sonde. Sondes longue (illustrée) et courte disponibles : consultez la section [Dimension du corps du transmetteur \(page 32\)](#).
- 8 Filtre de la sonde (option par défaut : acier inoxydable AISI 316L). Reportez-vous au *HMD60 User Guide* pour les options de filtre.
- 9 Capteur HUMICAP® dans le filtre de la sonde.



ATTENTION Ne touchez pas le capteur.

Installation

Dimension du corps du transmetteur

Les dimensions sont exprimées en millimètres et [pouces].

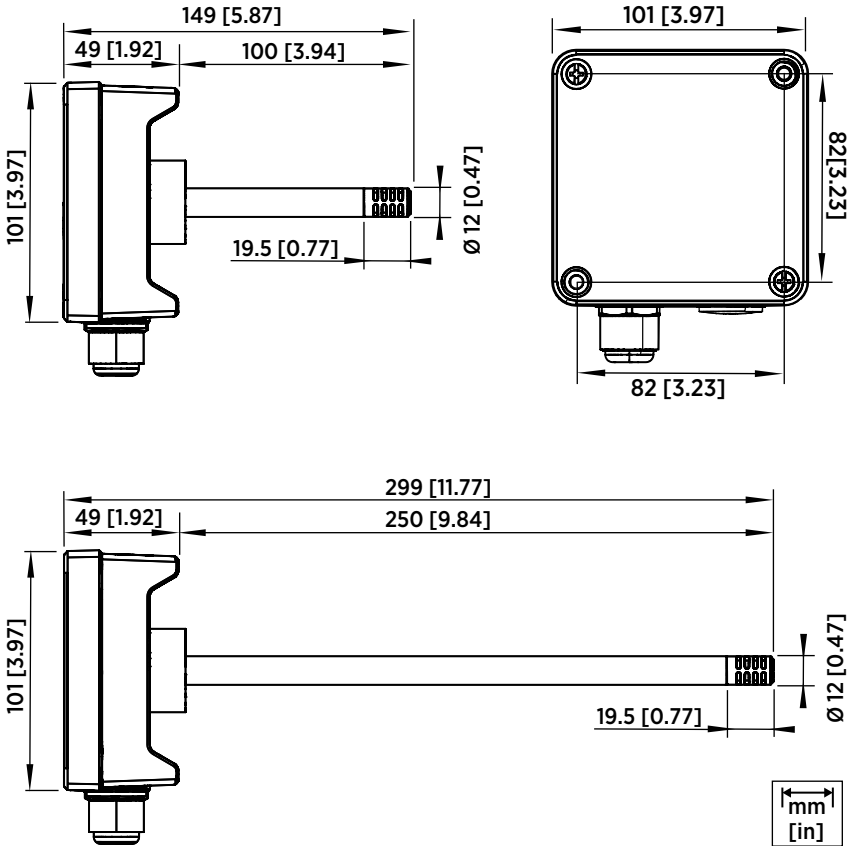


Figure 22 Dimensions avec une sonde longue/courte

Présentation du montage sur gaine

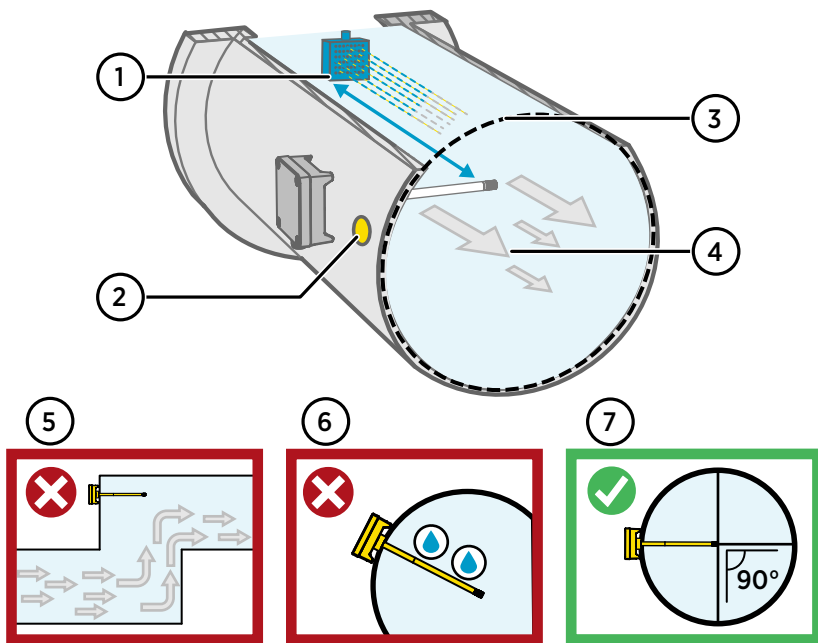


Figure 23 Présentation de l'installation sur gaine

- 1 Assurez-vous de laisser un espace minimum de 5 m (16,5 pieds) entre le corps de la sonde et tout éventuel humidificateur.
- 2 Lors de l'installation du transmetteur, percez un second orifice à environ 30 cm (12 pouces) de l'orifice d'installation, dans la direction du flux d'air, et bouchez-le avec un joint amovible. Ce deuxième orifice sera utilisé ultérieurement pour la mesure de référence avec un autre appareil lors de l'étalonnage ou du réglage du transmetteur.
- 3 Vérifiez que le diamètre de la gaine peut accueillir le corps de la sonde (consultez la section [Dimension du corps du transmetteur \(page 32\)](#)). Idéalement, le capteur (situé sur la tête de la sonde) doit être installé au centre de la gaine.
- 4 Débit maximal d'air : 50 m/s (avec filtre fritté).
- 5 Évitez d'installer le transmetteur dans des zones mortes. Une sursaturation peut se produire dans les zones où il n'y a pas de flux d'air.
- 6 N'installez pas la sonde orientée vers le bas. La condensation peut descendre jusqu'au capteur le long du corps de la sonde si la sonde pointe vers le bas.
- 7 Installez la sonde à un angle de 90°, de sorte que le capteur se trouve aussi près que possible du centre de la gaine.



ATTENTION Évitez d'installer le transmetteur à un emplacement où la condensation peut retomber sur le capteur à l'intérieur de la gaine.

Installation dans la gaine



- Tournevis cruciforme pour les vis de montage et les vis du couvercle.
- Petit tournevis pour les bornes à vis.
- Perceuse avec mèches de 3,5 mm (0,14 pouce) et 13 à 15 mm (0,51 à 0,59 pouce) pour percer les orifices d'installation.
- Outils pour couper et dénuder les fils.

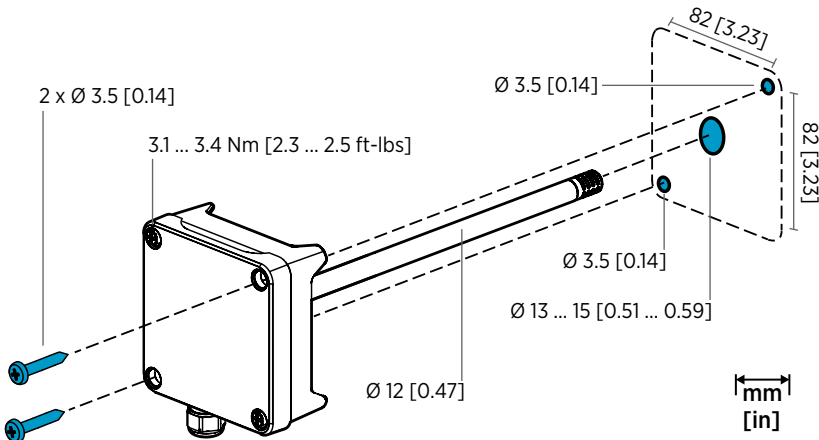


Figure 24 Orifices et vis de montage

1. Sélectionnez un emplacement d'installation pour le transmetteur sur la paroi de la gaine et percez un orifice de 13 à 15 mm (0,51 à 0,59 pouce) de diamètre pour insérer la sonde.
2. Insérez la sonde dans l'orifice sur la gaine jusqu'à ce que le corps du transmetteur soit en contact avec la gaine.
3. Fixez le corps du transmetteur à la gaine avec deux vis de 3,5 mm (0,14 pouce) de diamètre.



Vérifiez que la bague d'isolation est parfaitement posée sur l'orifice d'installation. Dans une gaine à pression négative, l'air externe peut être aspiré dans la gaine et affecter la mesure si l'orifice d'installation n'est pas scellé correctement.

4. En option : Percez un second orifice pour les mesures de référence à environ 30 cm (12 pouces) de l'orifice d'installation du transmetteur. consultez la section [Figure 23 \(page 33\)](#).
5. Desserrez les 2 vis captives sur le corps du transmetteur et retirez le couvercle.
6. Branchez le câblage d'entrée/sortie aux bornes à vis de la carte de composants du transmetteur. Consultez la section [Câblage \(page 36\)](#). Serrez les presse-étoupes fermement après le câblage.

- Vérifiez que les commutateurs DIP et les potentiomètres sont correctement positionnés. Reportez-vous aux sections [Sélection de sortie de commutateur DIP \(HMD62\)](#) (page 40) et [Potentiomètres](#) (page 39).
- Refermez le couvercle du transmetteur et activez l'entrée d'alimentation électrique du transmetteur.

Carte du transmetteur

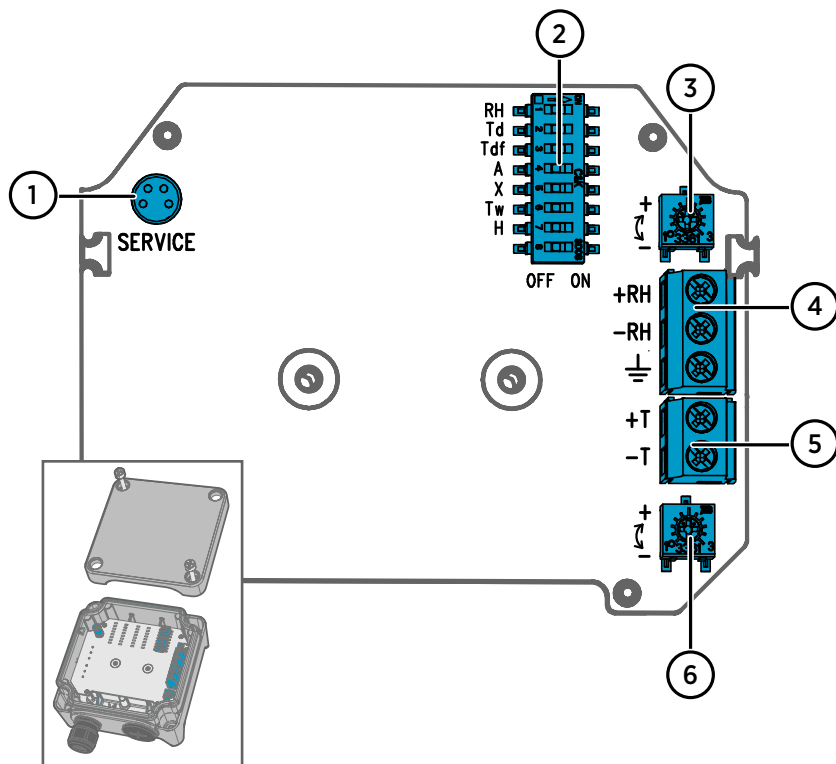


Figure 25 Carte du transmetteur HMD60 : port de service, commutateurs DIP, condensateurs et bornes à vis

- Port de service pour la connexion du câble de l'indicateur portable MI70 et du logiciel pour PC Insight.
- Commutateurs DIP pour la sélection du paramètre d'humidité (HMD62).
- Condensateur pour le réglage de la mesure d'humidité (HMD62).
- Bornes à vis pour la sortie de mesure d'humidité (HMD62).
- Bornes à vis pour la sortie de mesure de la température.
- Condensateur pour le réglage de la mesure de la température.



La carte HMD62 (présentée dans la figure [Figure 25 \(page 35\)](#)) inclut des options pour la sortie d'humidité et de température. La carte du TMD62 inclut uniquement les composants correspondants aux options de sortie de la température. Reportez-vous à [Câblage \(page 36\)](#) pour plus d'informations.

Câblage

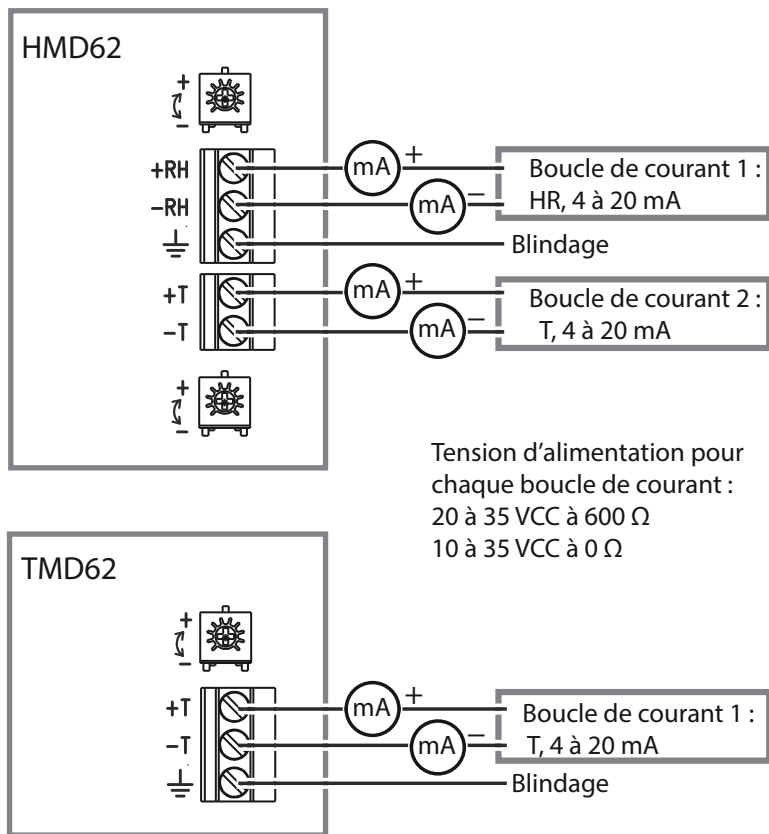


Figure 26 Schémas de câblage du HMD62 et du TMD62




AVERTISSEMENT Veillez à ne préparer ou raccorder que des câbles hors tension.



Il est recommandé d'utiliser une alimentation électrique avec protection contre les surcharges afin de garantir la sécurité électrique.

Entrées et sorties

Tableau 5 Entrées et sorties

Propriété	Caractéristique
Sortie analogique	HMD62 : <ul style="list-style-type: none"> • 1 x sortie HR ¹⁾ Courant de 4 à 20 mA, alimenté par boucle • 1 x sortie T avec courant de 4 à 20 mA, alimenté par boucle
	TMD62 : <ul style="list-style-type: none"> • 1 x sortie T avec courant de 4 à 20 mA, alimenté par boucle
Entrée d'alimentation électrique	10 à 35 VCC (RL = 0 Ω) 20 à 35 VCC (RL = 600 Ω)
 Chaque sortie de boucle de courant nécessite sa propre alimentation électrique.	
Connecteur du port de service	Connecteur mâle à 4 broches M8 pour connexion du câble de l'indicateur portable MI70 (nécessite l'accessoire de câble 219980SP) ou du logiciel pour PC Vaisala Insight (nécessite l'accessoire de câble USB 219690) ²⁾
Passages de câbles	<ul style="list-style-type: none"> • Entrée M16 x 1,5, options disponibles auprès de Vaisala : <ul style="list-style-type: none"> • Presse-étoupe M16 x 1,5 (code de commande Vaisala : 254280SP). Il s'agit de l'option par défaut livrée avec le transmetteur HMD60. • Raccord pour conduite M16x1,5, ½" NPT (code de commande Vaisala : 210675SP) • Entrée M20 x 1,5 alternative
Bornier à vis, taille des fils	0.5 ... 1,5 mm ²

1) Les paramètres calculés disponibles pour le modèle HMD62 incluent T_d , T_{df} , A , X , T_w et H .

2) Logiciel Vaisala Insight pour Windows disponible à l'adresse : www.vaisala.com/insight.



ATTENTION N'apportez aucune modification à l'appareil et ne l'utilisez pas d'une quelconque autre manière que celle décrite dans la documentation. Toute modification inadéquate est susceptible d'entraîner des risques pour la sécurité, des dommages sur l'équipement, des performances non conformes aux spécifications ou une durée de vie raccourcie de l'équipement.

Options de configuration

Logiciel Vaisala Insight

Le logiciel Vaisala Insight est un logiciel de configuration pour les sondes et transmetteurs compatibles Indigo de Vaisala. Les systèmes d'exploitation pris en charge sont : Windows 7 (64 bits), Windows 8.1 (64 bits) et Windows 10 (64 bits).



Pour garantir la prise en charge de votre transmetteur de la série HMD60, téléchargez la dernière version d'Insight à l'adresse : www.vaisala.com/insight.

Avec le logiciel Insight, vous pouvez :

- Consulter les mesures en temps réel, les informations sur l'appareil et les statuts.
- Configurer les sorties et la mise à l'échelle.
- Étalonner et régler le dispositif.

Le HMD60 peut être connecté à Insight via un câble USB Vaisala (code de commande 219690).

Connexion au logiciel Insight



- Ordinateur avec le logiciel Vaisala Insight installé
- Câble de connexion USB (code de commande 219690)

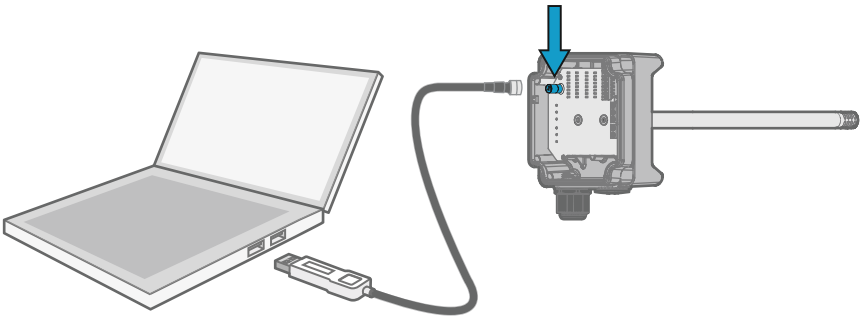


Figure 27 Connexion du transmetteur à Insight

1. Ouvrez le logiciel Insight.
2. Branchez le câble USB à un port USB libre sur le PC.
3. Branchez le câble USB au port de service du transmetteur.
4. Attendez que le logiciel Insight détecte le transmetteur.

Potentiomètres

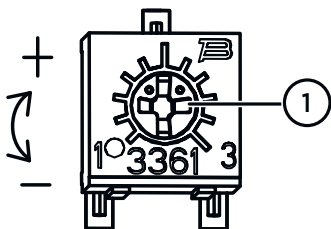


Figure 28 Potentiomètre de réglage de la carte électronique

- 1 Utilisez un tournevis à tête cruciforme pour faire tourner le potentiomètre de réglage HR ou T. Pour accroître la valeur de sortie de mesure, faites tourner le potentiomètre dans le sens horaire. Pour la réduire, tournez dans le sens antihoraire.
Veuillez noter qu'il y a un léger décalage avant l'application des changements de sortie de mesure après avoir tourné le potentiomètre.

Vous pouvez régler la sortie de mesure de HR (HMD62) ou T (HMD62 et TMD62) du transmetteur avec les potentiomètres sur la carte de composants. Lors du réglage du potentiomètre, la sortie du transmetteur est corrigée à l'aide des potentiomètres jusqu'à correspondre à la valeur connue d'une référence.

Pour effectuer un réglage avec les potentiomètres, vous devez disposer d'une mesure de référence. Vous pouvez insérer un instrument de référence dans l'environnement dans lequel le HMD60 est installé et comparer les relevés des instruments, ou retirer le HMD60 de l'environnement d'installation et utiliser un outil d'étalonnage et de réglage (par exemple, l'étalonneur d'humidité HMK15 de Vaisala) pour générer un environnement avec une valeur connue.

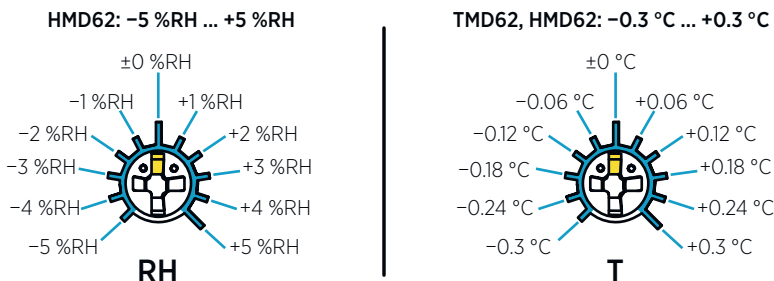


Figure 29 Plages de réglage des potentiomètres HR et T (indicatives)



Vous ne pouvez étalonner que la mesure de l'humidité relative (HR) et la mesure de la température (T). Les autres paramètres (disponibles pour le HMD62) sont calculés en interne en fonction des valeurs de HR et T. Vérifiez que le commutateur DIP de sélection de sortie est paramétré sur HR lorsque vous procédez à des réglages avec le potentiomètre physique. Lorsque vous utilisez le logiciel pour PC Insight, réglez tous les commutateurs DIP sur la position **OFF**. Pour plus d'informations sur l'utilisation des potentiomètres de réglage, reportez-vous au *HMD60 User Guide*.



ATTENTION Si vous utilisez le logiciel pour PC Insight pour régler la mesure ou pour restaurer les paramètres d'usine, remplacez toujours le potentiomètre physique sur la position du milieu avant de commencer. Lorsque vous effectuez un réglage avec Insight, la position du potentiomètre à ce stade est définie comme étant le point ± 0 .

Sélection de sortie de commutateur DIP (HMD62)

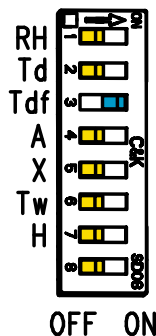


Figure 30 Exemple de commutateur DIP HMD62 : Sortie T_{df} sélectionnée

- RH Humidité relative
- T_d Température du point de rosée
- T_{df} Température de point de rosée/de gelée
- A Humidité absolue
- X Rapport de mélange
- T_w Température au thermomètre mouillé
- H Enthalpie

Vous pouvez modifier le paramètre d'humidité dont la sortie est sur le canal HR du HMD62 avec les commutateurs DIP sur la carte de composants. Sélectionnez le paramètre de sortie du transmetteur souhaité en faisant glisser le commutateur DIP du paramètre vers la droite (**ON**). Dans l'exemple de [Figure 30 \(page 40\)](#), le paramètre de sortie sélectionné du transmetteur est la température du point de rosée/de gelée (T_{df}). Laissez les autres commutateurs DIP en position **OFF** (gauche).

Le paramètre sélectionné utilise la mise à l'échelle par défaut présentée dans [Tableau 6 \(page 40\)](#).

Tableau 6 Mise à l'échelle par défaut du paramètre du HMD62

Paramètre	Mise à l'échelle par défaut pour la plage de sortie de 4 à 20 mA
RH	0 ... 100 % HR
T_d	-40 ... +80 °C (-40 à +176 °F)
T_{df}	-40 ... +80 °C (-40 à +176 °F)
A	0 à 300 g/m ³ (0 à 131,1 gr/ft ³)
X	0 à 600 g/kg (0 à 4 200 gr/lb)
T_w	-40 ... +80 °C (-40 à +176 °F)
H	-40 à 1 600 kJ/kg (-9,5 à +695,6 Btu/lb)



Si vous devez modifier la mise à l'échelle par défaut d'un paramètre, configurez la sortie avec le logiciel pour PC Vaisala Insight. Reportez-vous aux instructions du *HMD60 User Guide*.



ATTENTION Si vous utilisez le logiciel Insight pour configurer la sortie, notez que les sélections des commutateurs DIP prévalent sur la configuration Insight. Lorsque vous utilisez Insight pour configurer la sortie, réglez tous les commutateurs DIP sur la position **OFF** (gauche) pour éviter tout conflit avec les paramètres Insight.

Introducción a la serie HMD60

Los transmisores de humedad y temperatura HMD60 HUMICAP® montados en conducto están diseñados para monitorear la humedad y la temperatura en aplicaciones exigentes de CVAA e industriales ligeras. Los transmisores de la serie HMD60 proporcionan mediciones estables, confiables y altamente precisas (hasta $\pm 1,5$ % HR y $\pm 0,1$ °C (0,18 °F)), y son resistentes a los productos químicos y al polvo.

Las opciones del transmisor de la serie HMD60 incluyen 2 modelos de salida analógica: HMD62 para medir tanto la humedad como la temperatura y TMD62 para medir la temperatura. Tanto el HMD62 como el TMD62 utilizan una salida de corriente alimentada con bucle de 4 a 20 mA. El modelo de transmisor HMD65 incluye opciones de salida analógica y digital.

Gracias al fácil acceso a la electrónica, incluso cuando el transmisor está instalado en un conducto, la configuración y el ajuste se pueden realizar de forma rápida y cómoda. Las opciones disponibles de la interfaz de configuración y ajuste van desde potenciómetros físicos e interruptores DIP en la placa de circuito del transmisor hasta el software Insight PC de Vaisala para Windows®.

Opciones y Características básicas de HMD62 y TMD62

- Opciones de medición:
 - HMD62 para medición de humedad y temperatura
 - TMD62 para medición de temperatura
- Parámetros de humedad disponibles como opciones de salida en HMD62: HR, T_d , T_{df} , A, X, T_w , H
- Salida analógica: 4 ... 20 mA, con alimentación de bucle
 - HMD62: 2 canales de salida analógica para mediciones de humedad y temperatura
 - TMD62: 1 canal de salida analógica para la medición de temperatura
- Entrada del sistema de alimentación: 10 ... 35 VCC / 20 ... 35 VCC
- Opciones de configuración y ajuste:
 - Ajuste del campo de medición HR y T con potenciómetro
 - Selección de parámetros de salida de humedad con interruptores DIP (HMD62)
 - Ajuste de campo con indicador portátil MI70
 - Configuración y ajuste con el software Insight PC de Vaisala

Escalamiento de parámetro de salida

- Escala predeterminada de salida analógica de temperatura: -20 a +80 °C (-4 a +176 °F)
- Escalamiento predeterminado para los parámetros de humedad (HMD62): consulte [Tabla 8 \(página 53\)](#).
- Para cambiar el escalamiento predeterminado de un parámetro de salida analógica, utilice el software Insight PC de Vaisala. Consulte las instrucciones en *HMD60 User Guide*.

Más información

Para obtener instrucciones más detalladas sobre la instalación, la configuración y el mantenimiento de los transmisores de la serie HMD60, consulte *HMD62 and TMD62 User Guide in English M212016EN* y *HMD65 User Guide in English M212243EN*, [disponible en www.vaisala.com/HMD60](http://www.vaisala.com/HMD60).

Piezas del transmisor

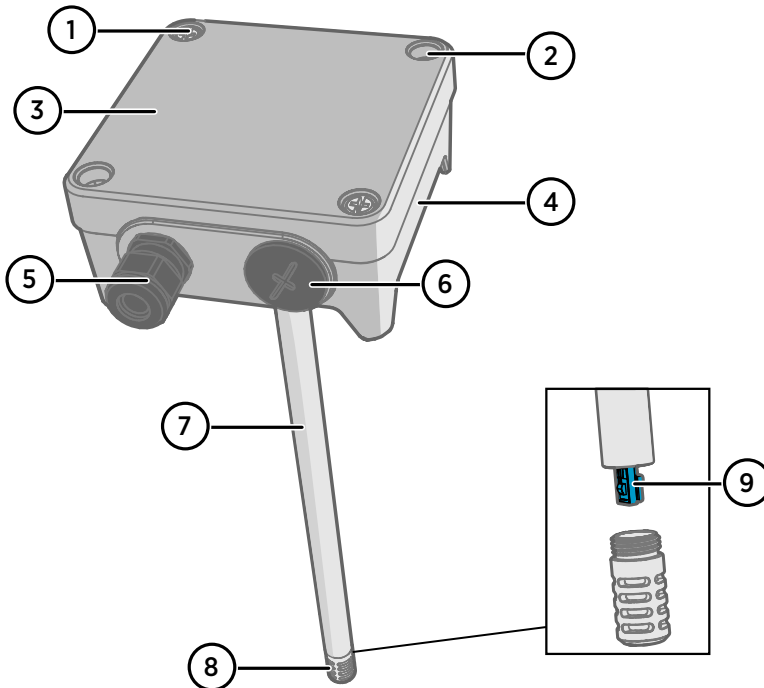


Figura 31 Información general de las piezas del transmisor HMD62 y TMD62

- 1 Tornillo cautivo (2 unidades, estrella) para fijar la tapa del transmisor.
- 2 Tornillo (2 unidades) para montar el transmisor en la superficie de instalación.
- 3 Tapa del transmisor. Abra los tornillos cautivos de la tapa para acceder a la electrónica de entrada y salida.
- 4 Base del transmisor. Contiene los conectores de entrada y salida del panel del transmisor: consulte [Panel del transmisor \(página 48\)](#).
- 5 Prensacables (conducto de guía M16 x 1,5) para conducir cables al transmisor. Consulte en *HMD60 User Guide* las opciones de prensacables y conductos.
- 6 Conducto de guía alternativo (M20 x 1,5) para cableado.
- 7 Cuerpo de la sonda. Opciones de sondas cortas y largas (mostradas) disponibles: consulte [Dimensiones del transmisor \(página 45\)](#).
- 8 Filtro de la sonda (opción predeterminada: acero inoxidable AISI 316L). Consulte en *HMD60 User Guide* las opciones de filtro.
- 9 Sensor HUMICAP® en el interior del filtro de la sonda.



PRECAUCIÓN No toque el elemento del sensor.

Instalación

Dimensiones del transmisor

Las dimensiones se indican en milímetros y [pulgadas].

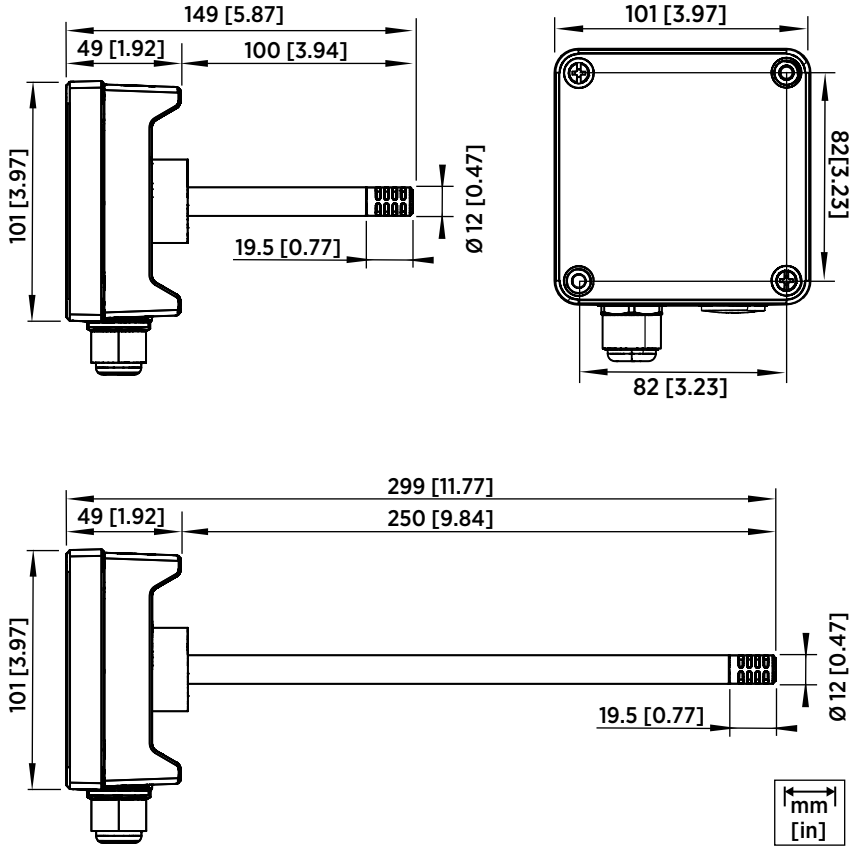


Figura 32 Dimensiones con sondas largas y cortas

Información general del montaje en conducto

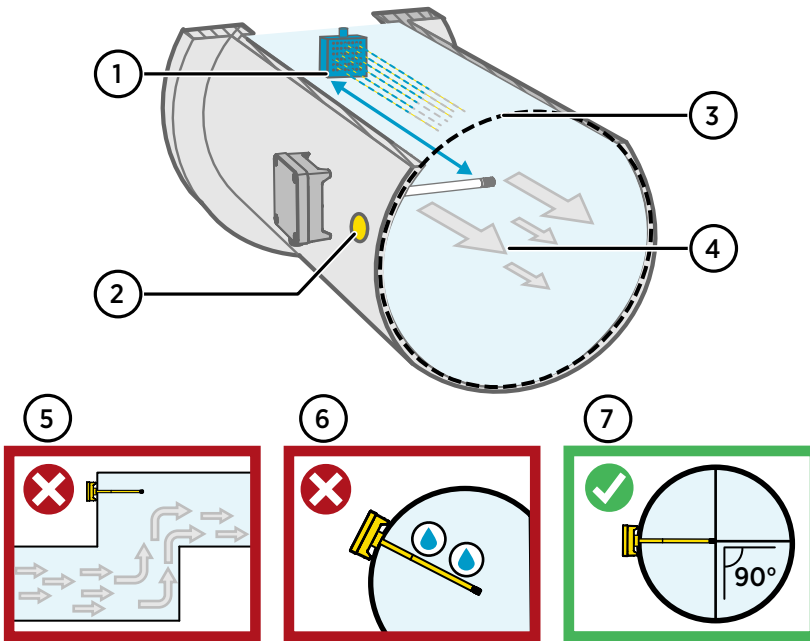


Figura 33 Información general de la instalación en conductos

- 1 Asegúrese de que haya un espacio libre mínimo de 5 m (16,5 pies) entre el cuerpo de la sonda y cualquier humidificador posible.
- 2 Al instalar el transmisor, taladre un segundo orificio aproximadamente a 30 cm (12 pulg.) del orificio de instalación, en la dirección del flujo de aire, y tápelolo con un sello extraíble. Este segundo orificio está destinado para usarse posteriormente en la medición de referencia con otro dispositivo al calibrar o ajustar el transmisor.
- 3 Compruebe que el diámetro del conducto es adecuado para el cuerpo de la sonda (consulte [Dimensiones del transmisor \(página 45\)](#)). Lo ideal es que el sensor (cabezal de la sonda) se instale en el centro del conducto.
- 4 Velocidad máxima del flujo de aire: 50 m/s (con filtro sinterizado).
- 5 Evite instalar el transmisor en sumideros. La sobresaturación puede ocurrir en áreas donde no hay flujo de aire.
- 6 No instale la sonda en un ángulo descendente. La condensación puede desplazarse al sensor a lo largo del cuerpo de la sonda si esta apunta hacia abajo.
- 7 Instale la sonda en un ángulo de 90° para que el sensor se coloque lo más cerca posible del centro del conducto.



PRECAUCIÓN Evite la instalación en un lugar donde pueda caer la condensación sobre el sensor dentro del conducto.

Instalación en conducto



- Destornillador de cruz de tamaño mediano para los tornillos de montaje y los tornillos de la tapa.
- Destornillador ranurado pequeño para terminales de tornillo.
- Taladre con brocas de 3,5 mm (0,14 pulg.) y 13 ... 15 mm (0,51 ... 0,59 pulg.) para realizar los orificios de instalación.
- Herramientas para cortar y pelar cables.

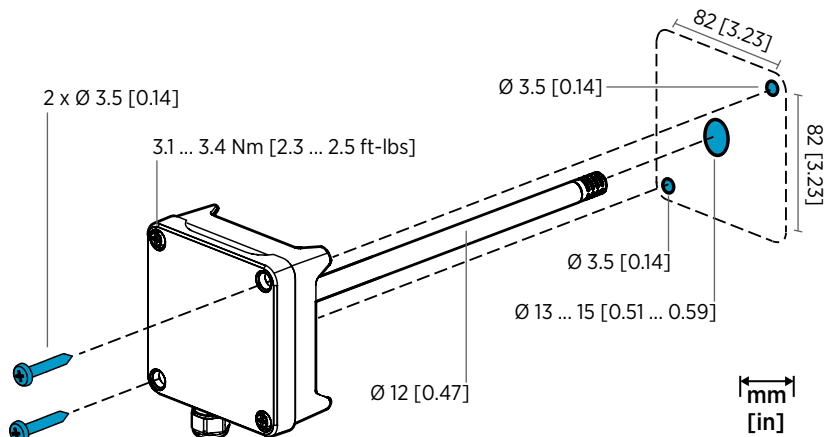


Figura 34 Perforación y montaje de tornillos

- ▶ 1. Seleccione una ubicación de instalación para el transmisor en la superficie del conducto y taladre un orificio de $\text{Ø } 13 \dots 15 \text{ mm}$ (0,51 ... 0,59 pulg.) para insertar la sonda.
2. Empuje la sonda a través del orificio del conducto hasta que el cuerpo del transmisor llegue al conducto.
3. Fije el cuerpo del transmisor al conducto con 2 tornillos de $\text{Ø } 3,5 \text{ mm}$ (0,14 pulg.).



Compruebe que el anillo aislante se asienta firmemente sobre el orificio de instalación. Si el conducto tiene una presión negativa, el aire exterior puede entrar en el conducto y afectar a la medición si el orificio de instalación no está sellado de un modo firme.

4. Opcional: Taladre un segundo orificio para mediciones de referencia de aproximadamente 30 cm (12 pulg.) desde el orificio de instalación del transmisor. Consulte [Figura 33](#) (página 46).
5. Abra los 2 tornillos cautivos del cuerpo del transmisor y quite la tapa.
6. Fije el cableado de entrada/salida en los terminales de tornillo en el panel de componentes del transmisor. Consulte [Cableado](#) (página 49). Apriete firmemente los prensacables después del cableado.

7. Compruebe que los interruptores DIP y los potenciómetros están en la posición correcta. Consulte [Selección de salida de interruptores DIP \(HMD62\) \(página 53\)](#) y [Potenciómetros \(página 52\)](#).
8. Cierre la tapa del transmisor y conecte la entrada del sistema de alimentación del transmisor.

Panel del transmisor

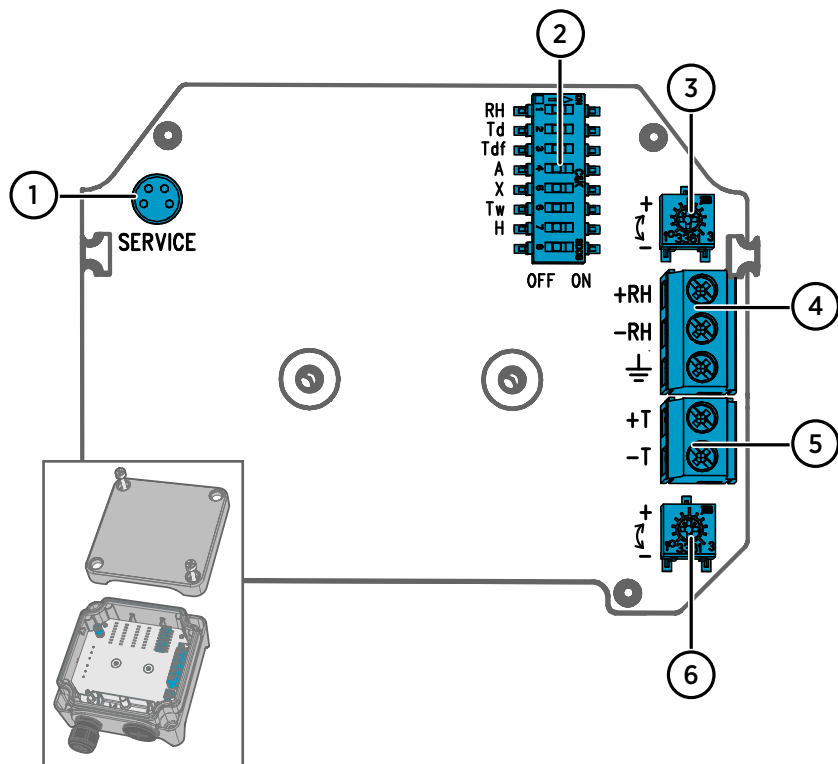


Figura 35 Panel del transmisor HMD60: puerto de servicio, interruptores DIP, cortadoras y terminales de tornillo

- 1 Puerto de servicio para el indicador portátil MI70 y conexión del cable del software Insight PC.
- 2 Interruptores DIP para la selección de los parámetros de humedad (HMD62).
- 3 Cortadora para el ajuste de la medición de humedad (HMD62).
- 4 Terminales de tornillo para la salida de la medición de humedad (HMD62).
- 5 Terminales de tornillo para la salida de la medición de temperatura.
- 6 Cortadora para el ajuste de la medición de temperatura.



El panel HMD62 (mostrado en la [Figura 35 \(página 48\)](#)) incluye opciones para la salida de humedad y temperatura. El panel TMD62 incluye solo los componentes limitados a las opciones de salida de temperatura. Consulte [Cableado \(página 49\)](#) para obtener más información.

Cableado

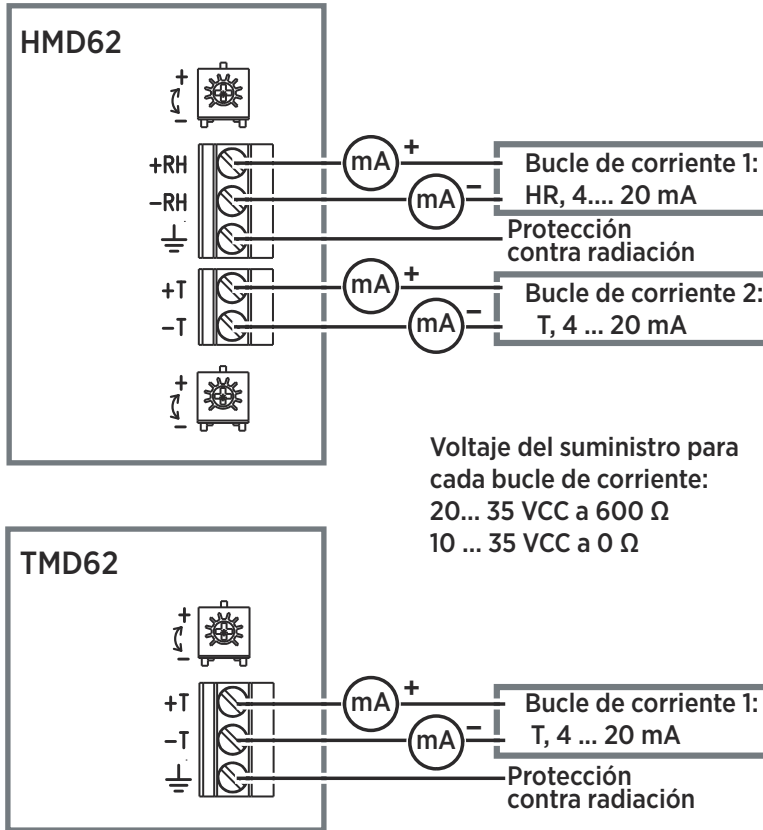


Figura 36 Diagramas de cableado de HMD62 y TMD62




AVISO Asegúrese de preparar o conectar solo los cables desenergizados.



Se recomienda el uso de un sistema de alimentación con protección de sobrecarga para la seguridad eléctrica.

Entradas y salidas

Tabla 7 Entradas y salidas

Características	Especificación
Salida analógica	<p>HMD62:</p> <ul style="list-style-type: none"> • 1 x salida HR¹⁾ 4 ... 20 mA de corriente, con alimentación de bucle • 1 x salida T 4 ... 20 mA de corriente, con alimentación de bucle <p>TMD62:</p> <ul style="list-style-type: none"> • 1 x salida T 4 ... 20 mA de corriente, con alimentación de bucle
<p>Entrada del sistema de alimentación</p> <div style="background-color: #e0e0e0; padding: 5px; border: 1px solid #ccc;">  <p>Cada salida de bucle de corriente requiere su propio sistema de alimentación.</p> </div>	<p>10 ... 35 VCC (RL = 0 Ω) 20 ... 35 VCC (RL = 600 Ω)</p>
Conector de puerto de servicio	Conector macho M8 de 4 clavijas para el indicador portátil M170 (requiere el accesorio de cable 219980SP) o conexión de cable del software Insight PC de Vaisala (requiere el accesorio de cable USB 219690) ²⁾
Cable de alimentación directa	<ul style="list-style-type: none"> • Entrada M16 x 1,5, opciones disponibles de Vaisala: <ul style="list-style-type: none"> • Prensacables M16 x 1,5 (código de pedido de Vaisala: 254280SP). Es la opción predefinida que se suministra con HMD60. • Conexión de conducto M16 x 1,5, ½" NPT (código de pedido de Vaisala: 210675SP) • Entrada alternativa M20 x 1,5
Tamaño del cable del terminal roscado	0.5 ... 1,5 mm ²

1) Los parámetros calculados disponibles para HMD62 incluyen T_{df} , T_{df} , A , X , T_w y H .

2) El software Insight de Vaisala para Windows está disponible en www.vaisala.com/insight.



PRECAUCIÓN No modifique la unidad y no la utilice de ninguna manera que no esté descrita en la documentación. Una modificación inadecuada puede provocar peligros de seguridad, dañar el equipo, impedir el funcionamiento de acuerdo con la especificación o reducir la duración del equipo.

Opciones de configuración

Software Insight de Vaisala

Insight de Vaisala es un software de configuración para sondas y transmisores compatibles con Indigo de Vaisala. Los sistemas operativos compatibles son Windows 7 (64 bits), Windows 8.1 (64 bits) y Windows 10 (64 bits).



Para garantizar la compatibilidad con su transmisor de la serie HMD60, descargue la última versión de Insight en www.vaisala.com/insight.

Con el software Insight puede:

- Ver las mediciones, la información del dispositivo y su estado en tiempo real.
- Configurar salidas y escalas.
- Calibrar y ajustar el dispositivo.

HMD60 se puede conectar a Insight mediante un cable USB de Vaisala (código de pedido 219690).

Conexión al software Insight



- Computadora con el software Insight de Vaisala instalado
- Cable de conexión USB (código de pedido 219690)

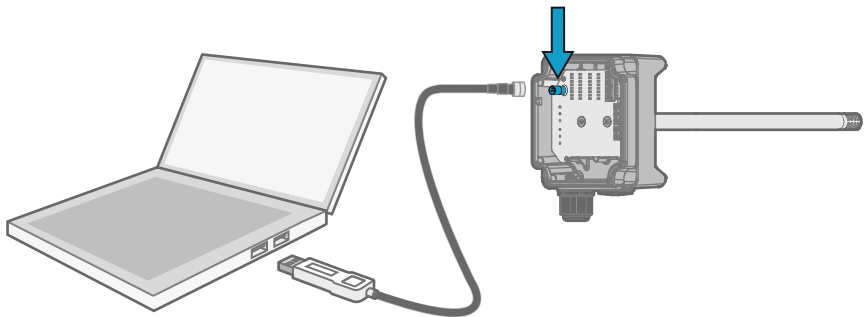


Figura 37 Conexión del transmisor a Insight

- ▶ 1. Abra el software Insight.
2. Conecte el cable USB a un puerto USB libre de la computadora.
3. Conecte el cable USB al puerto de servicio del transmisor.
4. Espere a que el software Insight detecte el transmisor.

Potenciómetros

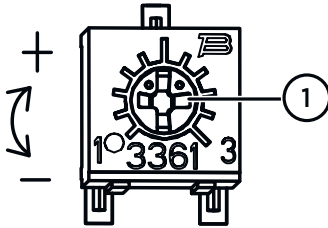


Figura 38 Potenciómetro de ajuste del panel del componente

- 1 Use un destornillador de cabeza Phillips para girar la cortadora de ajuste HR o T. Para aumentar el valor de salida de la medición, gire el potenciómetro en el sentido de las agujas del reloj. Para disminuirlo, gírela en sentido contrario a las agujas del reloj. Tenga en cuenta que hay un ligero retraso antes de que la salida de medición cambie después de girar el potenciómetro.

Puede ajustar la salida de medición HR (HMD62) o T (HMD62 y TMD62) del transmisor con los potenciómetros del panel de componentes. Durante el ajuste del potenciómetro, la salida del transmisor se corrige utilizando las cortadoras hasta que la salida coincida con el valor conocido de una referencia.

Para realizar un ajuste con los potenciómetros, necesita un origen de medición de referencia. Puede insertar un instrumento de referencia en el entorno en el que está instalado el HMD60 y comparar las lecturas de los instrumentos, o quitar el HMD60 del entorno de instalación y utilizar una herramienta de calibración y ajuste (por ejemplo, el calibrador de humedad HMK15 de Vaisala) para generar un entorno con un valor conocido.

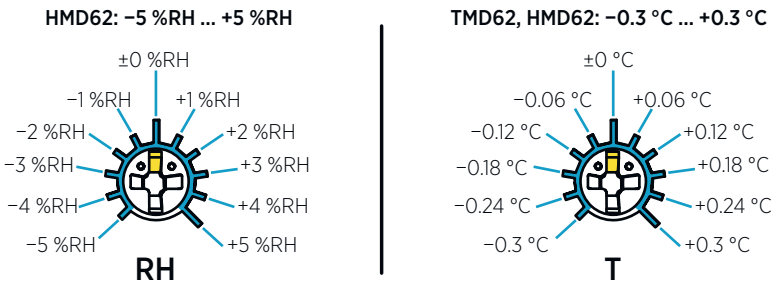


Figura 39 Rangos del potenciómetro de HR y T (indicativo)



Solo puede calibrar la medición de humedad relativa (HR) y la medición de temperatura (T). Otros parámetros (disponibles para HMD62) se calculan internamente en función de HR y T. Compruebe que el interruptor DIP de selección de salida está ajustado en HR al realizar los ajustes con la cortadora física; cuando utilice el software Insight PC, coloque todos los interruptores DIP en la posición **OFF**. Para más información sobre el uso de los potenciómetros de ajuste, consulte *HMD60 User Guide*.



PRECAUCIÓN Si utiliza el software Insight PC para ajustar la medición o para restaurar la configuración predeterminada, siempre vuelva a colocar el potenciómetro físico en la posición central antes de comenzar. Cuando realice un ajuste con Insight, la posición en la que se encuentra el potenciómetro en ese punto se establece como el punto ± 0 .

Selección de salida de interruptores DIP (HMD62)

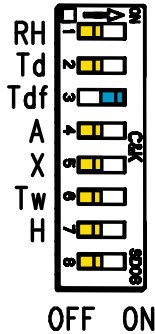


Figura 40 Ejemplo de interruptor DIP de HMD62: T_{df} salida seleccionada

HR	Humedad relativa
T_d	Temperatura de punto de rocío
T_{df}	Temperatura del punto de rocío/punto de escarcha
A (alarmas)	Humedad absoluta
X	Índice de mezclado
T_w	Temperatura de bulbo húmedo
H	Entalpia

Puede cambiar el parámetro de humedad que se envía en el canal derecho del HMD62 con los interruptores DIP del panel de componentes. Seleccione el parámetro que desea que el transmisor emita deslizando el interruptor DIP del parámetro hacia la derecha (**ON**). En el ejemplo de [Figura 40](#) (página 53), el parámetro de salida seleccionado del transmisor es la temperatura de punto de rocío/punto de escarcha (T_{df}). Mantenga los demás interruptores DIP en la posición **OFF** (izquierda).

El parámetro seleccionado utiliza la escala predeterminada que se muestra en [Tabla 8](#) (página 53).

Tabla 8 Escala de parámetros predeterminados de HMD62

Parámetro	Escala predeterminada para el rango de salida 4... 20 mA Rango de salida
HR	0 ... 100 % HR
T_d	-40 ... +80 °C (-40 a +176 °F)
T_{df}	-40 ... +80 °C (-40 a +176 °F)
A (alarmas)	0 ... 300 g/m ³ (0 ... 131,1 gr/pies ³)
X	0 ... 600 g/kg (0 ... 4200 gr/lb)
T_w	-40 ... +80 °C (-40 a +176 °F)
H	-40 ... 1600 kJ/kg (-9,5 ... 695,6 Btu/lb)



Si necesita cambiar la escala predeterminada de un parámetro, configure la salida con el software Insight PC de Vaisala. Consulte las instrucciones en *HMD60 User Guide*.



PRECAUCIÓN Si utiliza el software Insight para configurar la salida, tenga en cuenta que las selecciones de los interruptores DIP anulan la configuración de Insight. Cuando utilice Insight para configurar la salida, coloque todos los interruptores DIP en la posición **OFF** (izquierda) para asegurarse de que no provoquen un conflicto con la configuración de Insight.

Introdução à Série HMD60

Os transmissores de umidade e temperatura HUMICAP® HMD60 montados no duto são projetados para monitorar a umidade e a temperatura em aplicações industriais exigentes de iluminação e HVAC. Os transmissores da série HMD60 proporcionam medições estáveis, confiáveis e altamente precisas (até $\pm 1,5$ %U.R. e $\pm 0,1$ °C [0,18 °F]), além de serem resistentes a produtos químicos e poeira.

As opções de transmissores da série HMD60 incluem 2 modelos de saída analógicos: HMD62 para medições de umidade e temperatura, e TMD62 para medições de temperatura. O HMD62 e o TMD62 usam uma saída de corrente de alimentação em loop de 4 ... 20 mA. O modelo de transmissores HMD65 inclui opções de saída analógicas e digitais.

Graças ao acesso facilitado à eletrônica também quando o transmissor está instalado em um duto, a configuração e o ajuste podem ser executados de forma rápida e conveniente. As opções de interface de ajuste e configuração disponíveis vão desde chaves DIP e trimmers na placa de circuito do transmissor ao software Insight da Vaisala para PC Windows®.

Opções e recursos básicos do HMD62 e do TMD62

- Opções de medição:
 - HMD62 para medição de temperatura e umidade
 - TMD62 para medição de temperatura
- Parâmetros de umidade disponíveis como opções de saída no HMD62: U.R., T_d , T_{df} , A, X, T_w , H
- Saída analógica: 4 ... 20 mA, alimentação em loop
 - HMD62: 2 canais de saída analógicos para medições de umidade e temperatura
 - TMD62: 1 canal de saída analógico para medição de temperatura
- Entrada para fonte de alimentação: 10 ... 35 V CC / 20 ... 35 V CC
- Opções de configuração e ajuste:
 - Ajuste de campo de medição U.R. e T com trimmers
 - Seleção de parâmetros de saída de umidade com chaves DIP (HMD62)
 - Ajuste de campo com indicador portátil MI70
 - Configuração e ajuste com o software Insight para PC da Vaisala

Escala de parâmetro de saída

- Escala de saída analógica de temperatura padrão: -20 ... +80 °C (-4 ... +176 °F)
- Escala padrão para parâmetros de umidade (HMD62): consulte a seção [Tabela 10 \(página 65\)](#).
- Para alterar a escala padrão de um parâmetro de saída analógico, use o software Insight para PC da Vaisala. Consulte as instruções em *HMD60 User Guide*.

Mais informações

Para obter mais instruções detalhadas de instalação, configuração e manutenção dos transmissores da série HMD60, consulte *HMD62 and TMD62 User Guide in English M212016EN* e *HMD65 User Guide in English M212243EN* disponíveis em www.vaisala.com/HMD60.

Componentes do transmissor

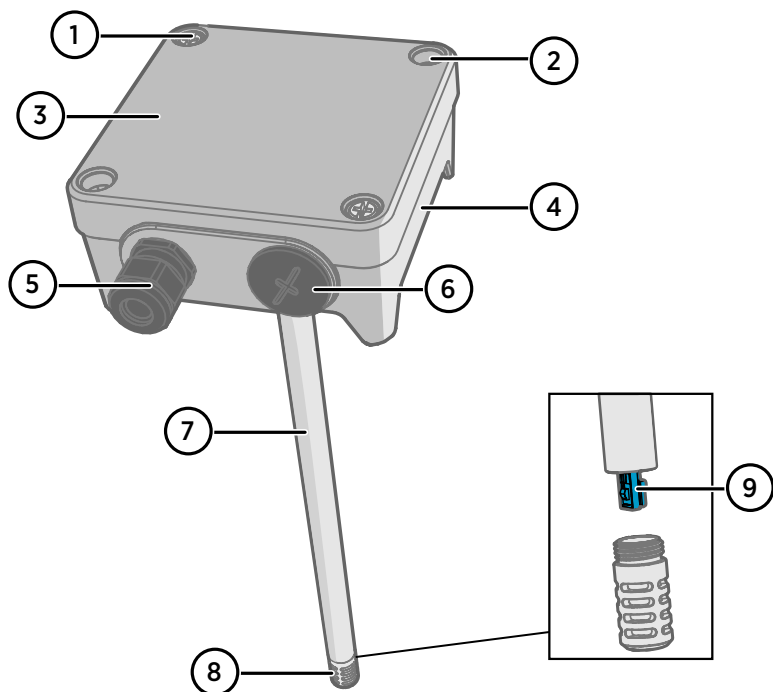


Figura 41 Visão geral dos componentes dos transmissores HMD62 e TMD62

- 1 Parafuso cativo (2 unidades, Phillips) para prender a tampa do transmissor.
- 2 Parafuso (2 unidades) para montagem do transmissor na superfície de instalação.
- 3 Tampa do transmissor. Abras os parafusos cativos da tampa para acessar a eletrônica de saída e de entrada.
- 4 Base do transmissor. Contém os conectores de entrada e saída da placa do transmissor: consulte a seção [Placa do transmissor \(página 60\)](#).
- 5 Prensa-cabo (guia de M16 x 1,5) para fios frontais no transmissor. Consulte *HMD60 User Guide* para obter informações sobre a prensa-cabo e os conduítes.
- 6 Guia alternativa (M20 x 1,5) para fiação.
- 7 Corpo da sonda. Opções de sondas longas (mostradas) e curtas disponíveis: consulte a seção [Dimensões do transmissor \(página 57\)](#).
- 8 Filtro da sonda (opção padrão: aço inoxidável AISI 316L). Consulte *HMD60 User Guide* para obter as opções de filtros.
- 9 Sensor HUMICAP® no interior do filtro.



CUIDADO Não toque no elemento do sensor.

Instalação

Dimensões do transmissor

As dimensões são fornecidas em milímetros e [polegadas].

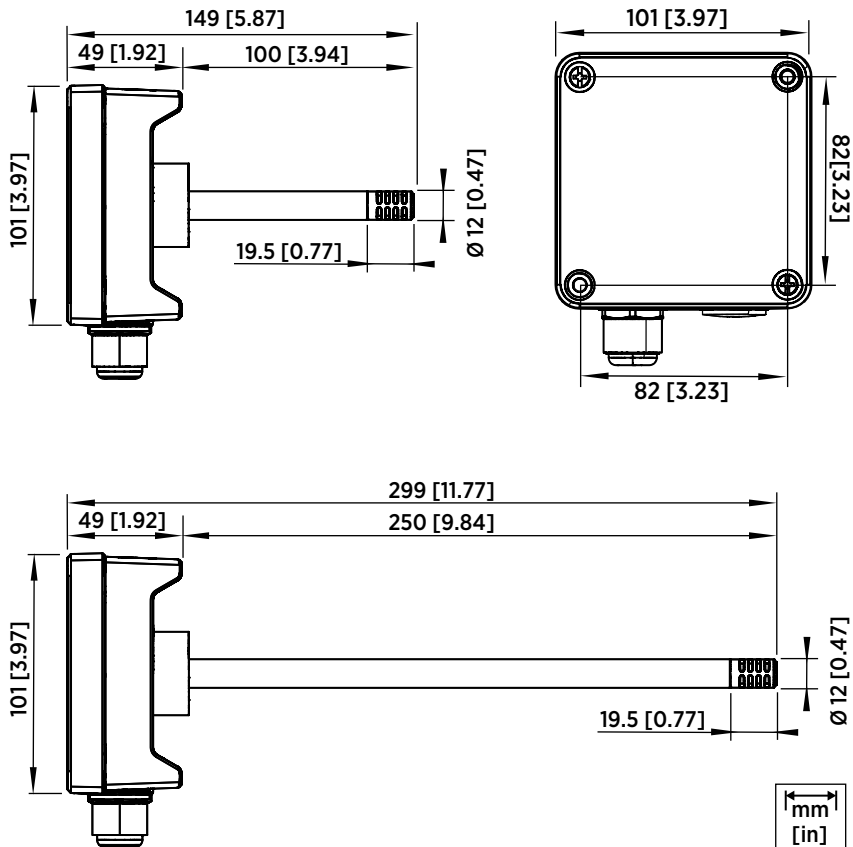


Figura 42 Dimensões com sondas longas e curtas

Visão geral de montagem dos dutos

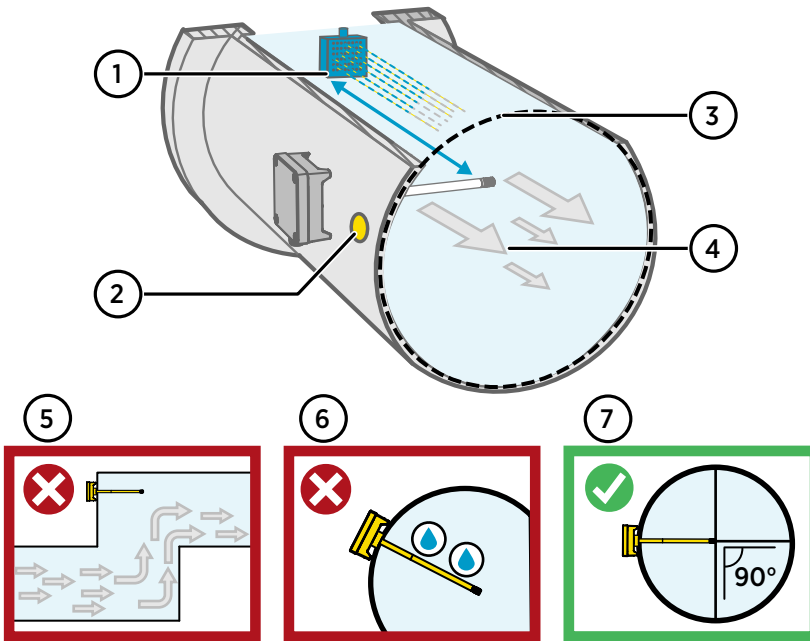


Figura 43 Visão geral de instalação dos dutos

- 1 Certifique-se de que existe uma distância mínima de 5 m (16,5 pés) entre o corpo da sonda e qualquer possível umidificador.
- 2 Ao instalar o transmissor, faça um segundo furo a aproximadamente 30 cm (12 polegadas) de distância do orifício de instalação, na direção do fluxo de ar, e conecte-a usando uma vedação removível. Esse segundo orifício é feito para uso posterior na medição de referência com outro dispositivo ao calibrar ou ajustar o transmissor.
- 3 Verifique se o diâmetro do duto é adequado para o corpo da sonda (consulte [Dimensões do transmissor \(página 57\)](#)). O ideal é que o sensor (cabeça da sonda) seja instalado no meio do duto.
- 4 Velocidade máxima do fluxo de ar: 50 m/s (com filtro sinterizado).
- 5 Evite instalar o transmissor em trechos de duto inoperantes. A supersaturação pode ocorrer em áreas onde não existe fluxo de ar.
- 6 Não instale a sonda em um ângulo voltado para baixo. A condensação pode alcançar o sensor pelo corpo da sonda se ela estiver apontando para baixo.
- 7 Instale a sonda em um ângulo de 90° para que o sensor seja colocado perto do meio do duto o máximo possível.



CUIDADO Evite instalar em um local onde a condensação possa cair dentro do sensor no interior do duto.

Instalação nos dutos



- Chave de fenda Phillips tamanho médio para montagem de parafusos e parafusos da tampa.
- Chave de fenda para terminais de parafusos.
- Perfure com brocas de 3,5 mm (0,14 pol) e 13 ... 15 mm (0,51 ... 0,59 pol) para fazer os orifícios de instalação.
- Ferramentas para cortar e descascar fios.

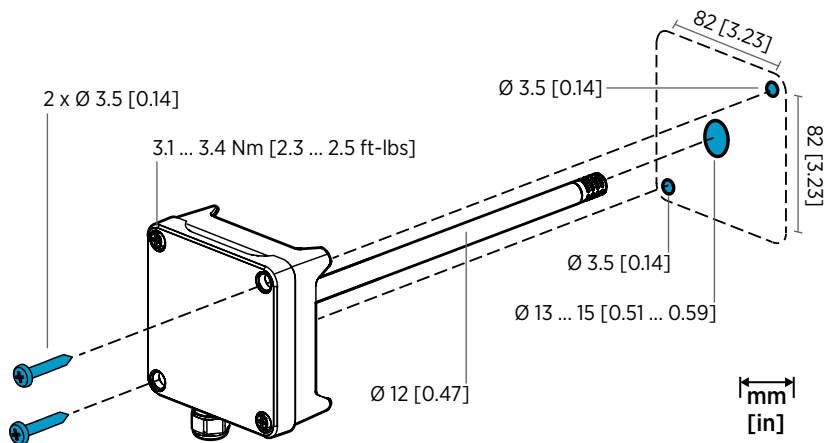


Figura 44 Inserindo e montando parafusos

1. Selecione um local de instalação para o transmissor na superfície do duto e faça um orifício de Ø 13 ... 15 mm (0,51 ... 0,59 pol) para inserir a sonda.
2. Insira a sonda através do orifício no duto até que o corpo do transmissor encontre o duto.
3. Prenda o corpo do transmissor no duto com dois parafusos de Ø 3,5 mm (0,14 pol).



Verifique se o anel de isolamento está bem assentado no orifício de instalação. Se o duto tiver uma pressão negativa, o ar externo pode entrar no duto e afetar a medição se o orifício de instalação não estiver vedado com firmeza.

4. Opcional: Faça um segundo furo para medições de referência a aproximadamente 30 cm (12 polegadas) de distância do orifício de instalação do transmissor. Consulte [Figura 43 \(página 58\)](#).
5. Abra os dois parafusos escravos no corpo do transmissor e remova a tampa.
6. Prenda a fiação de entrada/saída nos terminais de parafusos da placa do componente do transmissor. Consulte [Fiação \(página 61\)](#). Prenda as prensas-cabo com firmeza após colocar a fiação.
7. Verifique se as chaves DIP e os trimmers estão na posição correta. Consulte [Seleção de saída da chave DIP \(HMD62\) \(página 65\)](#) e [Trimmers \(página 64\)](#).

8. Feche a tampa do transmissor e ligue a entrada da fonte de alimentação do transmissor.

Placa do transmissor

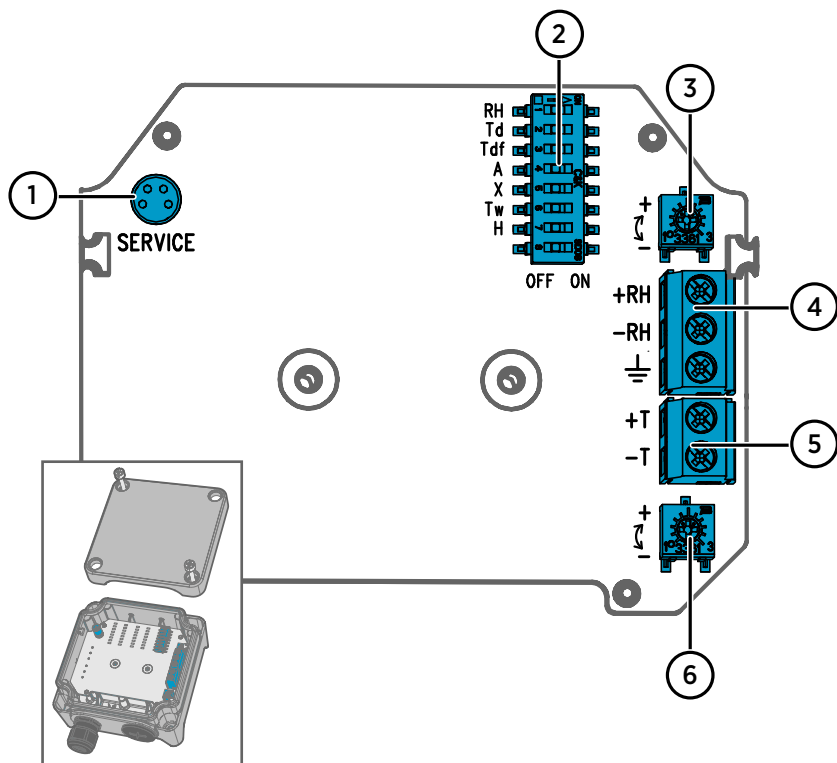


Figura 45 Placa do transmissor HMD60: Porta de serviço, chaves DIP, trimmers e terminais de parafusos

- 1 Porta de serviço para o indicador portátil MI70 e conexão do cabo do software Insight para PC.
- 2 Chaves DIP para seleção de parâmetros de umidade (HMD62).
- 3 Trimmer para ajuste de medição de umidade (HMD62).
- 4 Terminais de parafusos para saída de medição de umidade (HMD62).
- 5 Terminais de parafusos para saída de medição de temperatura.
- 6 Trimmer para ajuste de medição de temperatura.



A placa HMD62 (mostrada na [Figura 45 \(página 60\)](#)) inclui opções para saída de temperatura e umidade. A placa TMD62 somente componentes limitados às opções de saída de temperatura. Consulte [Fiação \(página 61\)](#) para obter mais informações.

Fiação

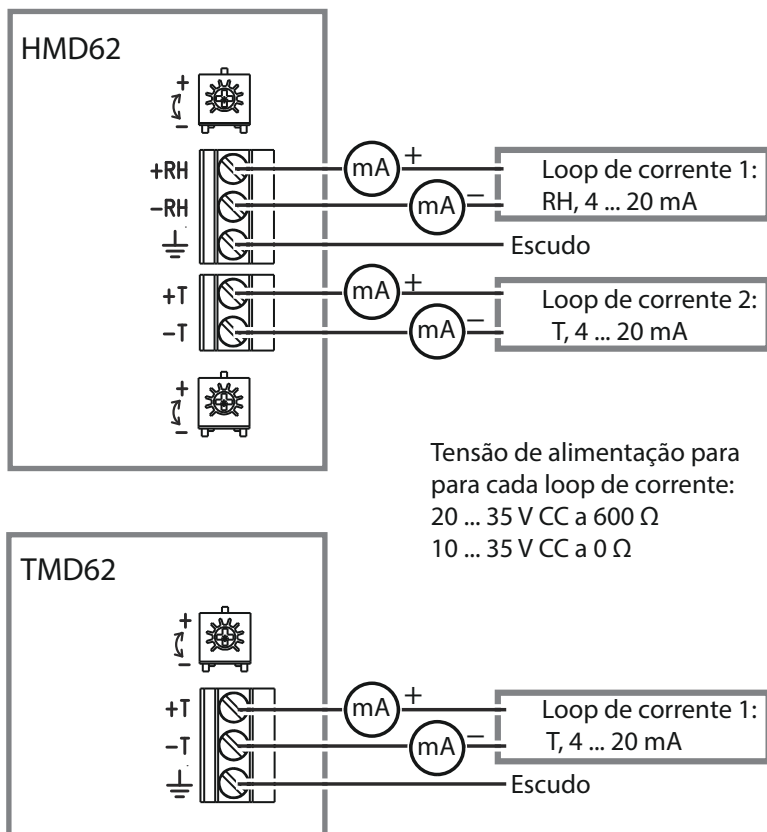


Figura 46 Diagramas de fiação do HMD62 e do TMD62




AVISO Certifique-se de preparar ou conectar somente fios desenergizados.



Recomendamos utilizar uma fonte de alimentação com proteção de sobrecarga para segurança elétrica.

Entradas e Saídas

Tabela 9 Entradas e Saídas

Propriedade	Especificação
Saída analógica	<p>HMD62:</p> <ul style="list-style-type: none"> • 1 x saída U.R. ¹⁾ 4 ... Corrente de 20 mA, alimentada em loop • 1 x T saída 4 ... Corrente de 20 mA, alimentada em loop <p>TMD62:</p> <ul style="list-style-type: none"> • 1 x T saída 4 ... Corrente de 20 mA, alimentada em loop
<p>Entrada para fonte de alimentação</p> <div style="background-color: #e0e0e0; padding: 5px; border: 1px solid #ccc;">  <p>Cada saída de loop de corrente exige sua própria fonte de alimentação.</p> </div>	<p>10 ... 35 V CC (RL = 0 Ω) 20 ... 35 V CC (RL = 600 Ω)</p>
Conector da porta de serviço	O conector macho de quatro pinos M8 do indicador portátil MI70 (requer acessório de cabo 219980SP) ou conexão de cabo de software Insight para PC da Vaisala (exige acessório de cabo USB 219690) ²⁾
Alimentação por cabo direto	<ul style="list-style-type: none"> • Entrada de M16 x 1,5, opções disponíveis da Vaisala: <ul style="list-style-type: none"> • Prensa-cabo M16 x 1,5 (código para pedido Vaisala: 254280SP). Essa é a opção padrão entregue com o HMD60. • Encaixe do conduíte M16x1,5, ½"NPT (código para pedido Vaisala: 210675SP) • Entrada alternativa M20 x 1,5
Tamanho do fio do terminal de parafuso	0.5 ... 1,5 mm ²

1) Parâmetros calculados disponíveis para o HMD62 incluem T_{σ} , T_{df} , A , X , T_w e H .

2) O software Insight da Vaisala para Windows está disponível em www.vaisala.com/insight.



CUIDADO Não modifique a unidade ou use-a de formas não descritas na documentação. Modificações inadequadas podem levar a riscos de segurança, danos no equipamento, funcionamento em desacordo com as especificações ou redução da vida útil do equipamento.

Opções de configuração

Software Insight da Vaisala

O software Insight da Vaisala é um software de configuração para sondas e transmissores compatíveis com Indigo. Os sistemas operacionais suportados são Windows 7 (64 bits), Windows 8.1 (64 bits) e Windows 10 (64 bits).



Para garantir suporte para o transmissor da série HMD60, baixe a versão mais recente do Insight em www.vaisala.com/insight.

Com o software Insight, você pode:

- Consulte medições, informações do dispositivo e status em tempo real.
- Configure saídas e escalas.
- Calibre e ajuste o dispositivo.

O HMD60 pode ser conectado ao Insight usando um cabo USB Vaisala (código para pedido 219690).

Conexão com o software Insight



- Computador com software Insight da Vaisala instalado
- Cabo de conexão USB (código para pedido 219690)

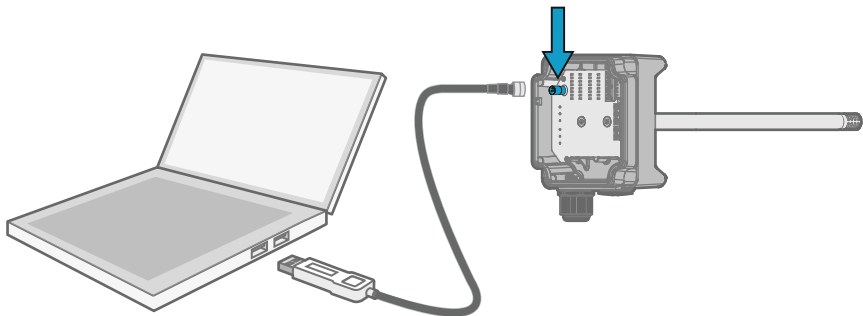


Figura 47 Conexão do transmissor ao Insight

- ▶ 1. Abra o software Insight.
2. Conecte o cabo USB a uma porta USB livre no PC.
3. Conecte o cabo USB à porta de serviço do transmissor.
4. Aguarde o software Insight detectar o transmissor.

Trimmers

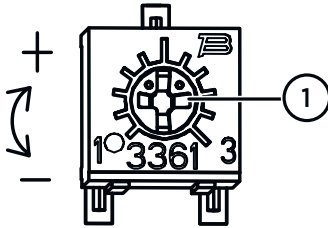


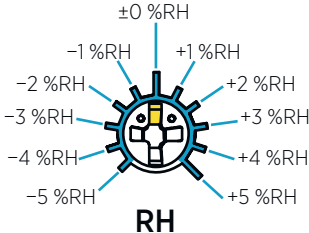
Figura 48 Trimmers de ajuste na placa de componentes

- 1 Use uma chave de fenda Phillips para girar o trimmer de ajuste de U.R. ou T. Para aumentar o valor de saída de medição, gire o trimmer no sentido horário. Para diminuir, gire no sentido anti-horário. Observe que existe um pequeno atraso antes que a saída de medição mude depois que o trimmer for girado.

Você pode ajustar a saída de medição de U.R. (HMD62) ou T (HMD62 e TMD62) com os trimmers na placa do componente. Durante o ajuste do trimmer, a saída do transmissor é corrigida usando os trimmers até que a saída corresponda ao valor conhecido de uma referência.

Para fazer um ajuste com os trimmers, você precisa de uma fonte de medição de referência. Você pode inserir um instrumento de referência no ambiente em que o HMD60 estiver instalado e comparar as leituras dos instrumentos ou remover o HMD60 do ambiente de instalação e usar uma ferramenta de calibração e ajuste (por exemplo, Calibrador de Umidade Vaisala HMK15) para gerar um ambiente com um valor conhecido.

HMD62: -5 %RH ... +5 %RH



TMD62, HMD62: -0.3 °C ... +0.3 °C

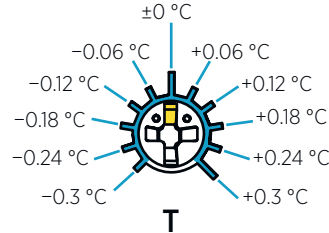


Figura 49 Faixas de ajuste com Trimmer de U.R. e T (indicativas)



Você pode calibrar somente a medição de umidade relativa (U.R.) e a medição de temperatura (T). Os outros parâmetros (disponíveis para HMD62) são calculados com base em U.R. e T. Verifique se a chave DIP de seleção de saída está definida como U.R. ao fazer os ajustes com o trimmer físico; ao usar o software Insight para PC, coloque todas as chaves DIP na posição **OFF** (Desligada). Para obter mais informações usando os trimmers de ajuste, consulte *HMD60 User Guide*.



CUIDADO Se você usa o software para PC Insight para ajustar a medição ou para restaurar as configurações de fábrica, sempre recoloca o trimmer físico na posição intermediária antes de iniciar. Quando você faz um ajuste com o Insight, a posição em que o trimmer está nesse ponto é definida como ponto ± 0 .

Seleção de saída da chave DIP (HMD62)

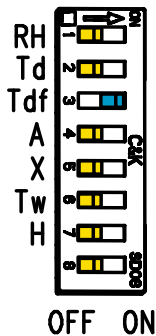


Figura 50 Exemplo de chave DIP do HMD62:
Saída selecionada de T_{df}

UR (%)	Umidade relativa
T_d	Temperatura de ponto de orvalho
T_{df}	Temperatura de ponto de orvalho/ponto de congelamento
A	Umidade absoluta
X	Taxa de mistura
T_w	Temperatura de bulbo úmido
H	Entalpia

Você pode alterar o parâmetro de umidade fornecido pelo canal de U.R. do HMD62 com as chaves DIP na placa do componente. Selecione o parâmetro que deseja que o transmissor retorne deslizando a chave DIP do parâmetro para a direita (**ON**). No exemplo em [Figura 50](#) (página 65), o parâmetro de saída selecionado do transmissor é temperatura de ponto de orvalho/ponto de congelamento (T_{df}). Mantenha as outras chaves DIP na posição **OFF** (esquerda).

O parâmetro selecionado usa a escala padrão mostrada em [Tabela 10](#) (página 65).

Tabela 10 Escala de parâmetro padrão do HMD62

Parâmetro	Escala padrão para faixa de saída de 4 a 20 mA
U.R.	0 ... 100% U.R.
T_d	-40 ... +80 °C (-40 ... +176 °F)
T_{df}	-40 ... +80 °C (-40 ... +176 °F)
A	0 ... 300 g/m ³ (0 ... 131,1 gr/ft ³)
X	0 ... 600 g/kg (0 ... 4200 gr/lb)
T_w	-40 ... +80 °C (-40 ... +176 °F)
H	-40 ... 1600 kJ/kg (-9,5 ... 695,6 Btu/lb)



Se precisar alterar a escala padrão de um parâmetro, configure a saída com o software Insight para PC da Vaisala. Consulte as instruções em *HMD60 User Guide*.



CUIDADO Se você usar o software Insight para configurar ainda mais a saída, observe que as seleções da chave DIP substituem a configuração do Insight. Ao usar o Insight para configurar a saída, coloque todas as chaves DIP na posição **OFF** (esquerda) para garantir que isso não provoque um conflito com as configurações do Insight.

Общие сведения о серии HMD60

Измерительные преобразователи параметров влажности и температуры HUMICAP® серии HMD60, устанавливаемые в воздуховодах, предназначены для контроля влажности и температуры в системах HVAC (ОВКВ) и легкой промышленности с жесткими требованиями. Преобразователи серии HMD60 обеспечивают устойчивые, надежные и высокоточные измерения (до $\pm 1,5$ % относит. влажности и $\pm 0,1$ °C) и обладают стойкостью к воздействию пыли и химических веществ.

Варианты исполнения преобразователя серии HMD60 состоят из 2 моделей с аналоговым выходом: HMD62 для измерения влажности и температуры и TMD62 для измерения температуры. HMD62 и TMD62 используют токовый выход 4–20 мА с питанием от контура. Модель преобразователя HMD65 оснащена как аналоговыми, так и цифровыми выходами.

Благодаря простому доступу к электронике, даже когда преобразователь установлен в воздуховод, возможно быстрое и удобное выполнение настройки. Доступные варианты интерфейса настройки и регулировки зависят от физических подстроечных элементов и DIP-переключателей на печатной плате преобразователя и программного обеспечения Vaisala Insight PC для Windows®.

Основные функции и возможности HMD62 и TMD62

- Варианты измерений:
 - HMD62 для измерения температуры и влажности воздуха
 - TMD62 для измерения температуры
- Параметры влажности, доступные в качестве выходных параметров, в HMD62: RH, T_d , T_{df} , A, X, T_w , H
- Аналоговый выход: 4 ... 20 мА, с питанием от контура
 - HMD62: два аналоговых выходных канала для измерения влажности и температуры
 - TMD62: один аналоговый выходной канал для измерения температуры
- Электропитание: 10 ... 35 В пост. тока/20–35 В пост. тока
- Варианты настройки и регулировки:
 - Область измерения RH и T настраивается с помощью подстроечных элементов
 - Выходной параметр влажности выбирается с помощью DIP-переключателей (HMD62)
 - Настройка на месте эксплуатации выполняется с помощью ручного индикатора Vaisala MI70
 - Настройка и регулировка с помощью программного обеспечения Vaisala Insight PC

Масштабирование выходных параметров

- Масштабирование аналогового выхода температуры по умолчанию: -20 ... $+80$ °C
- Масштабирование параметров влажности по умолчанию (HMD62): см. [Табл. 12 \(страница 78\)](#).
- Чтобы изменить масштабирование параметров аналогового выхода по умолчанию, воспользуйтесь программным обеспечением Vaisala Insight PC. Инструкции приведены в *HMD60 User Guide*.

Дополнительные сведения

Более подробные инструкции по установке, настройке и обслуживанию преобразователей серии HMD60 см. в *HMD62 and TMD62 User Guide in English M212016EN* и *HMD65 User Guide in English M212243EN*, доступных на сайте www.vaisala.com/HMD60.

Компоненты преобразователя

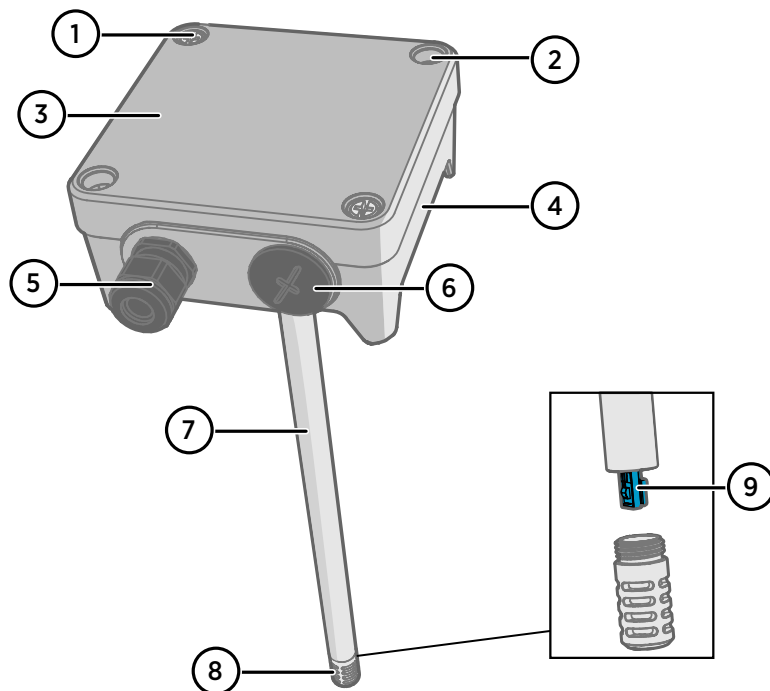


Рис. 51 Обзор компонентов преобразователей HMD62 и TMD62

- 1 Невыпадающий винт (2 шт. с крестообразным шлицем) для крепления крышки преобразователя.
- 2 Винт (2 шт.) для монтажа преобразователя на установочной поверхности.
- 3 Крышка преобразователя. Открутите невыпадающие винты крышки для доступа к входам и выходам электроники.
- 4 База преобразователя. Содержит входные и выходные разъемы на плате преобразователя: см. [Печатная плата преобразователя \(страница 73\)](#).
- 5 Кабельный ввод (M16 × 1,5) для входящих в преобразователь проводов. Варианты кабельных вводов и каналов см. в *HMD60 User Guide*.
- 6 Альтернативный вход (M20 × 1,5) для подключения.
- 7 Корпус зонда. Доступны варианты с длинным (показано на рисунке) и коротким зондом: см. [Размеры преобразователя \(страница 70\)](#).
- 8 Фильтр зонда (опция по умолчанию: нержавеющая сталь AISI316). Варианты фильтра см. в *HMD60 User Guide*.
- 9 Датчик HUMICAP® внутри фильтра зонда.



ОСТОРОЖНО Запрещается прикасаться к чувствительному элементу.

Установка

Размеры преобразователя

Размеры указаны в миллиметрах и [дюймах].

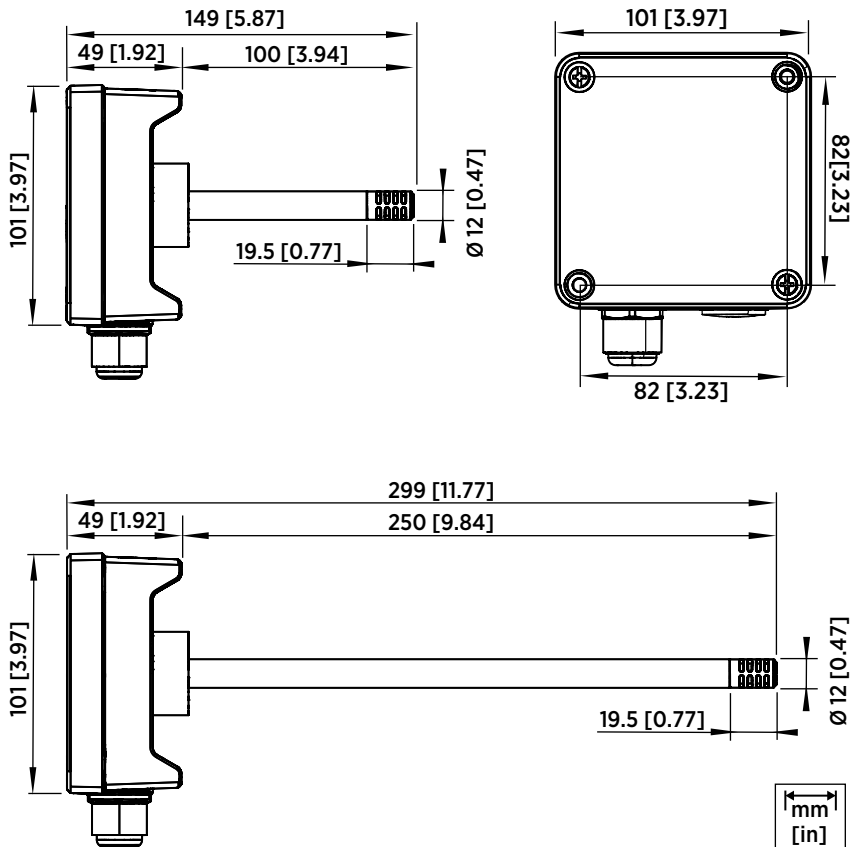


Рис. 52 Размеры устройства с длинным и коротким зондом

Обзор монтажа в воздуховоде

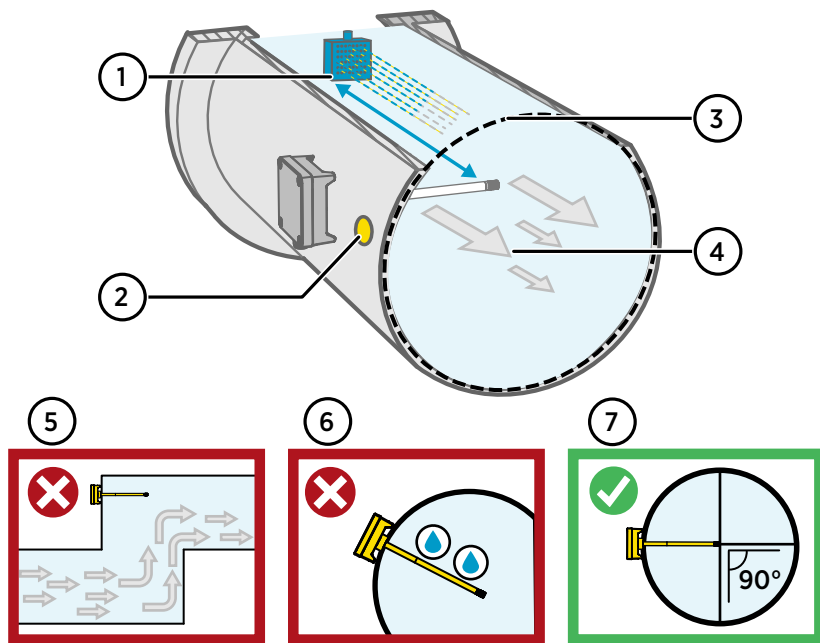


Рис. 53 Общие сведения об установке в воздуховоде

- 1 Убедитесь, что между корпусом зонда и любым возможным увлажнителем воздуха имеется минимальный зазор в 5 см.
- 2 При установке преобразователя просверлите второе отверстие примерно на расстоянии 30 см от установочного отверстия в направлении потока воздуха и вставьте в него съемный уплотнитель. Второе отверстие предназначено для последующего использования в контрольных измерениях с помощью другого устройства при калибровке или настройке преобразователя.
- 3 Убедитесь, что диаметр воздуховода соответствует размеру корпуса зонда (см. [Размеры преобразователя \(страница 70\)](#)). Предпочтительно устанавливать датчик (головку зонда) в середине воздуховода.
- 4 Максимальная скорость потока воздуха: 50 м/с (со спеченным фильтром).
- 5 Старайтесь не устанавливать зонд в тупиковых отводах. Перенасыщение может происходить в областях с отсутствием воздушного потока.
- 6 Не устанавливайте зонд под наклоном вниз. Конденсат может стекать к датчику вдоль корпуса зонда, если зонд направлен вниз.
- 7 Установите зонд под углом 90°, чтобы датчик располагался как можно ближе к середине воздуховода.



ОСТОРОЖНО Избегайте установки в месте, где конденсат может капать на датчик внутри воздуховода.

Установка в воздуховод



- Крестовая отвертка среднего размера для крепежных винтов и винтов крышки.
- Шлицевая отвертка малого размера для винтовых зажимов.
- Дрель со сверлами диаметром 3,5 мм и 13–15 мм для сверления монтажных отверстий.
- Инструменты для резки и зачистки проводов.

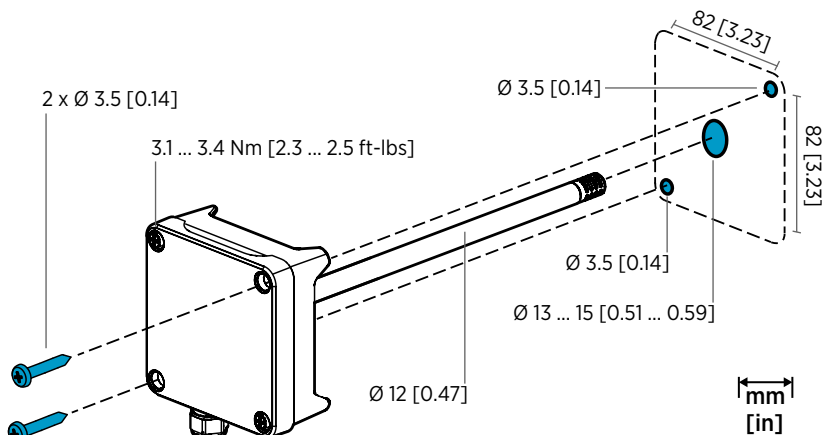


Рис. 54 Сверление отверстий и установка винтов

- ▶ 1. Выберите место установки преобразователя на поверхности воздуховода и просверлите отверстие $\varnothing 13\text{--}15$ мм для установки зонда.
2. Вводите зонд через отверстие до вхождения корпуса преобразователя в воздуховод.
3. Прикрепите корпус преобразователя к воздуховоду с помощью двух винтов $\varnothing 3,5$ мм.



Убедитесь, что изоляционное кольцо плотно прилегает к установочному отверстию. Если в воздуховоде отрицательное давление, в него может втягиваться наружный воздух и влиять на измерение при условии недостаточного уплотнения установочного отверстия.

4. Дополнительно: Просверлите второе отверстие для контрольных измерений приблизительно на расстоянии 30 см от установочного отверстия преобразователя. См. [Рис. 53 \(страница 71\)](#).
5. Открутите два невыпадающих винта на корпусе преобразователя и снимите крышку.
6. Присоедините провода ввода/вывода к винтовым зажимам на монтажной плате преобразователя. См. [Подключение \(страница 74\)](#). Аккуратно затяните кабельные вводы после подключения.

- Убедитесь, что DIP-переключатели и подстроечные элементы в правильном положении. См. [DIP-переключатель выбора вывода \(HMD62\) \(страница 78\)](#) и [Подстроечные элементы \(страница 77\)](#).
- Закройте крышку преобразователя и включите электропитание.

Печатная плата преобразователя

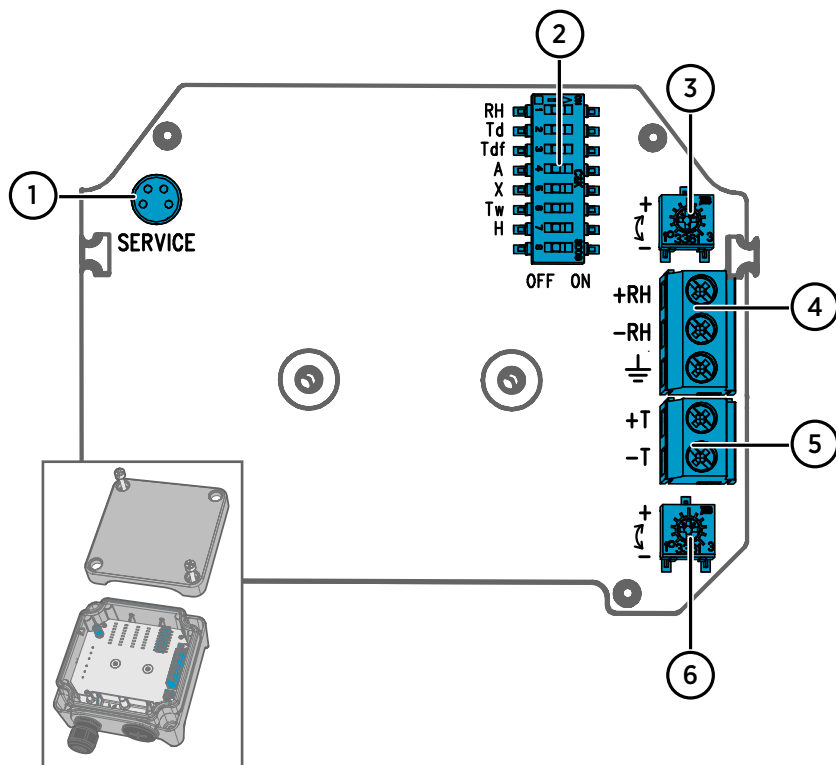


Рис. 55 Плата преобразователя HMD60: Сервисный порт, DIP-переключатели, подстроечные элементы и винтовые зажимы

- Сервисный порт задействуется для ручного индикатора MI70 и кабельного подключения программного обеспечения Insight PC.
- DIP-переключатели применяются для выбора параметров влажности (HMD62).
- Подстроечный элемент используется для регулировки измерения влажности воздуха (HMD62).
- Винтовые зажимы применяются для вывода результатов измерения влажности (HMD62).
- Винтовые зажимы используются для вывода результатов измерения температуры.
- Подстроечный элемент служит для регулировки измерения температуры.



Плата HMD62 (показана на Рис. 55 (страница 73)) включает опции для вывода результатов измерения влажности и температуры. Плата TMD62 содержит только компоненты с опциями вывода результатов измерения температуры. Более подробные сведения см. в Подключении (страница 74).

Подключение

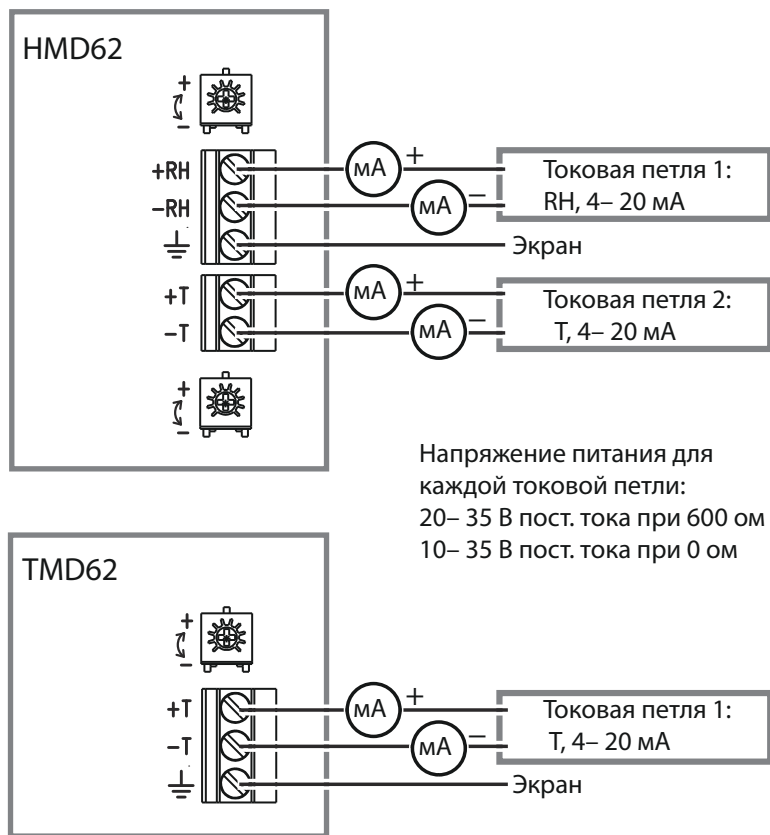


Рис. 56 Схемы подключения HMD62 и TMD62




Внимание Следует удостовериться в том, что приготовленные к соединению или соединяемые провода не находятся под напряжением.



Для обеспечения электрической безопасности рекомендуется использовать источник питания с защитой от перегрузки.

Входы и выходы

Табл. 11 Входы и выходы

Характеристика	Спецификация
Аналоговый выход	HMD62: <ul style="list-style-type: none"> • 1 × вывод RH ¹⁾ 4– 20 мА с питанием от контура • 1 × вывод T 4– 20 мА с питанием от контура
	TMD62: <ul style="list-style-type: none"> • 1 × вывод T 4– 20 мА с питанием от контура
Электропитание	10–35 В пост. тока (RL = 0 ом) 20–35 В пост. тока (RL = 600 ом)
 Для каждого выхода на токовую петлю требуется собственный источник питания.	
Разъем сервисного порта	4-контактный штекерный разъем M8 для ручного индикатора MI70 (требуется кабель 219980SP) или кабельного подключения программного обеспечения Vaisala Insight PC (требуется USB-кабель 219690) ²⁾
Кабельные соединения	<ul style="list-style-type: none"> • Вход M16 × 1,5, доступные к заказу опции от Vaisala: <ul style="list-style-type: none"> • Кабельный ввод M16 × 1,5 (код заказа Vaisala: 254280SP). Данная опция по умолчанию поставляется с HMD60. • Фитинг для кабелепровода M16 × 1,5, ½" NPT (код заказа Vaisala: 210675SP) • Альтернативный вход (M20 × 1,5)
Размер провода винтового зажима	0.5 ... 1,5 мм ²

1) Доступные расчетные параметры для HMD62 содержат T_{ϕ} , $T_{d\phi}$, A , X , T_w и H .

2) Программное обеспечение Vaisala Insight для Windows доступно по адресу www.vaisala.com/insight.



ОСТОРОЖНО Не модифицируйте изделие и не используйте его не описанным в документации образом. Неправильная модификация может привести к угрозам безопасности, повреждению оборудования, неспособности функционировать согласно спецификации или сокращению срока службы оборудования.

Варианты настройки

Программное обеспечение Vaisala Insight

Программное обеспечение Vaisala Insight служит для настройки зондов и преобразователей, совместимых с Vaisala Indigo. Поддерживаемые операционные системы: Windows 7 (64-разрядная), Windows 8.1 (64-разрядная) и Windows 10 (64-разрядная).



Чтобы обеспечить поддержку вашего преобразователя серии HMD60, загрузите последнюю версию Insight с веб-сайта www.vaisala.com/insight.

Программное обеспечение Insight предоставляет следующие возможности:

- Просматривать измерения в реальном времени, информацию об устройстве и его состоянии.
- Настраивать выходы и масштабирование.
- Калибровать и настраивать устройство.

HMD60 можно подключить к Insight с помощью USB-кабеля Vaisala (код заказа 219690).

Подключение к программному обеспечению Insight



- Компьютер с установленным программным обеспечением Vaisala Insight
- Соединительный кабель USB (код заказа 219690)

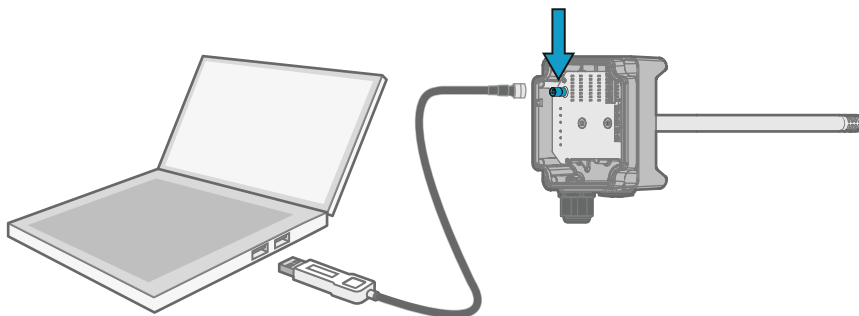


Рис. 57 Подключение преобразователя к программному обеспечению Insight

- ▶ 1. Откройте программное обеспечение Insight.
2. Подключите USB-кабель к свободному порту USB на ПК.
3. Подключите кабель USB к сервисному порту преобразователя.
4. Подождите, пока программное обеспечение Insight обнаружит преобразователь.

Подстроечные элементы

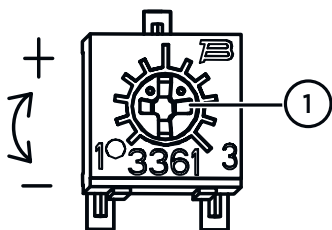


Рис. 58 Подстроечный элемент на монтажной плате

- 1 С помощью крестообразной отвертки поверните подстроечный элемент RH или T. Чтобы увеличить выходное значение результата измерений, поверните подстроечный элемент по часовой стрелке. Чтобы уменьшить выходное значение, поверните против часовой стрелки. Обратите внимание, что после вращения подстроечного элемента присутствует небольшая задержка до момента изменения результатов измерения.

Вы можете регулировать результаты измерения преобразователя RH (HMD62) или T (HMD62 и TMD62) с помощью подстроечных элементов на плате компонентов. При регулировке подстроечного элемента выходной сигнал преобразователя корректируется с помощью подстроечных элементов до его соответствия известному опорному значению.

Чтобы выполнить настройку с помощью подстроечных элементов, необходим источник опорного измерения. Вы можете вставить эталонный измерительный прибор в среду, где установлен HMD60, и сравнить показания приборов или убрать HMD60 из среды установки и использовать инструмент калибровки и регулировки (например, калибратор влажности Vaisala HMK15) для создания среды с известным опорным значением.

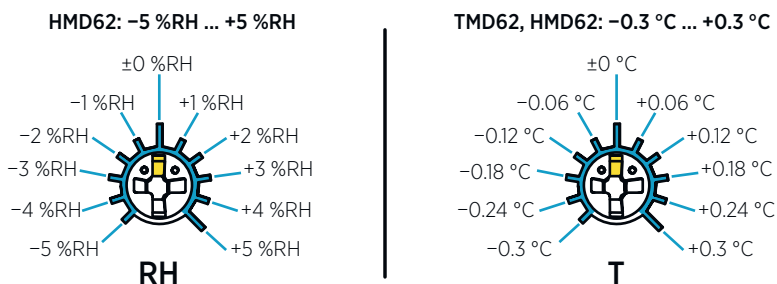


Рис. 59 Диапазоны регулирования подстроечного элемента для RH и T (индикаторный)



Вы можете калибровать только измерение относительной влажности (RH) и измерение температуры (T). Другие параметры (доступные для HMD62) рассчитываются прибором на основании RH и T. Убедитесь, что DIP-переключатель выбора вывода установлен на RH при настройке с помощью физического подстроечного элемента; при использовании программного обеспечения Insight PC установите все DIP-переключатели в положение **OFF** (ВЫКЛ.). Дополнительные сведения об использовании подстроечных элементов см. в *HMD60 User Guide*.



ОСТОРОЖНО Если вы используете программное обеспечение Insight для настройки измерения или для восстановления заводских настроек, всегда возвращайте физический подстроечный элемент в среднее положение перед запуском. При выполнении настройки с помощью Insight среднее положение подстроечного элемента устанавливается как точка ± 0 .

DIP-переключатель выбора вывода (HMD62)

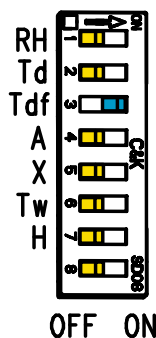


Рис. 60 Пример DIP-переключателя HMD62: Выбран вывод T_{df}

- RH Относительная влажность
- T_d Температура точки росы
- T_{df} Температура точки росы/точки образования инея
- A Абсолютная влажность
- X Влагосодержание воздуха
- T_w Температура по влажному термометру
- H Энтальпия

Вы можете изменить параметр влажности, который выводится на канал RH HMD62 с помощью DIP-переключателей на плате компонентов. Выберите параметр вывода преобразователя, сдвинув DIP-переключатель параметра вправо (**ON** — положение ВКЛ.). В примере [Рис. 60 \(страница 78\)](#) выбранным выходным параметром преобразователя является температура точки росы/точки образования инея (T_{df}). Остальные DIP-переключатели должны быть установлены в положение **OFF** (ВЫКЛ.) (левое положение).

Выбранный параметр использует масштабирование по умолчанию, показанное в [Табл. 12 \(страница 78\)](#).

Табл. 12 Масштабирование параметра HMD62 по умолчанию

Параметр	Масштабирование по умолчанию для диапазона выхода 4–20 мА
RH	0–100 % относительной влажности
T_d	-40 ... +80 °C

Параметр	Масштабирование по умолчанию для диапазона выхода 4–20 мА
T _{df}	-40 ... +80 °C
A	0–300 г/м ³
X	0–600 г/кг
T _w	-40 ... +80 °C
H	-40... 1600 кДж/кг



Если требуется изменить для параметра масштабирование по умолчанию, настройте вывод с помощью программного обеспечения Vaisala Insight PC. Инструкции приведены в *HMD60 User Guide*.



ОСТОРОЖНО Если вы используете программное обеспечение Insight для дальнейшей настройки вывода, обратите внимание, что выбор DIP-переключателя перезапишет настройку Insight. При использовании Insight для настройки вывода установите все DIP-переключатели в положение **OFF** (ВЫКЛ.) (левое положение), чтобы исключить вероятность конфликта с настройками Insight.

HMD60 シリーズの説明

ダクト取り付けタイプの HMD60 HUMICAP® 湿度温度変換器は、高精度が求められる HVAC や軽工業用途における湿度と温度のモニタリング用に設計されています。HMD60 シリーズ変換器は、安定し、信頼のできる高精度（最大±1.5%RH および±0.1°C (0.18°F)）の測定を行い、化学物質や粉塵に耐久性があります。

HMD60 シリーズ変換器のオプションには、湿度と温度の両方を測定する HMD62 と、温度を測定する TMD62 の 2 つのアナログ出力モデルがあります。HMD62 と TMD62 は両方とも 4~20mA ループ電源供給型の電流出力を使用します。HMD65 変換器モデルでは、アナログ出力とデジタル出力の両方のオプションをご用意しています。

変換器をダクトに取り付けた状態でも電子回路部に簡単にアクセスでき、設定や調整を迅速かつ手軽に実施できます。設定および調整のために利用可能なインターフェースオプションは、変換器の回路基板上の物理トリマーや DIP スイッチから Windows® の Vaisala Insight PC ソフトウェアまで、豊富に用意されています。

HMD62/TMD62 の基本機能とオプション

- 測定オプション:
 - 湿度および温度測定用の HMD62
 - 温度測定用の TMD62
- HMD62 で出力オプションとして利用可能な湿度パラメーター: RH、T_d、T_{df}、A、X、T_w、H
- アナログ出力: 4 ... 20mA、ループ電源供給型
 - HMD62: 2 つの湿度/温度測定用アナログ出力チャンネル
 - TMD62: 1 つの温度測定用アナログ出力チャンネル
- 供給電源: 10 ... 35VDC/20~35VDC
- 設定および調整のオプション:
 - トリマーによる RH と T の測定用フィールド調整
 - DIP スイッチによる湿度出力パラメーターの選択 (HMD62)
 - MI70 ハンディタイプ指示計による現場での調整
 - Vaisala Insight PC ソフトウェアによる設定と調整

出力パラメーターのスケール

- 初期設定温度アナログ出力スケール: -20~+80°C (-4~+176°F)
- 湿度パラメーターの初期設定のスケール (HMD62): 「表 14 (ページ 91)」を参照してください。
- アナログ出力パラメーターの初期設定のスケールを変更するには、Vaisala Insight PC ソフトウェアを使用します。『HMD60 User Guide』の手順を参照してください。

詳細

HMD60 シリーズ変換器の取り付け、設定、およびメンテナンスについては、www.vaisala.com/HMD60 にある『HMD62 and TMD62 User Guide in English M212016EN』および『HMD65 User Guide in English M212243EN』を参照してください。

変換器の部品

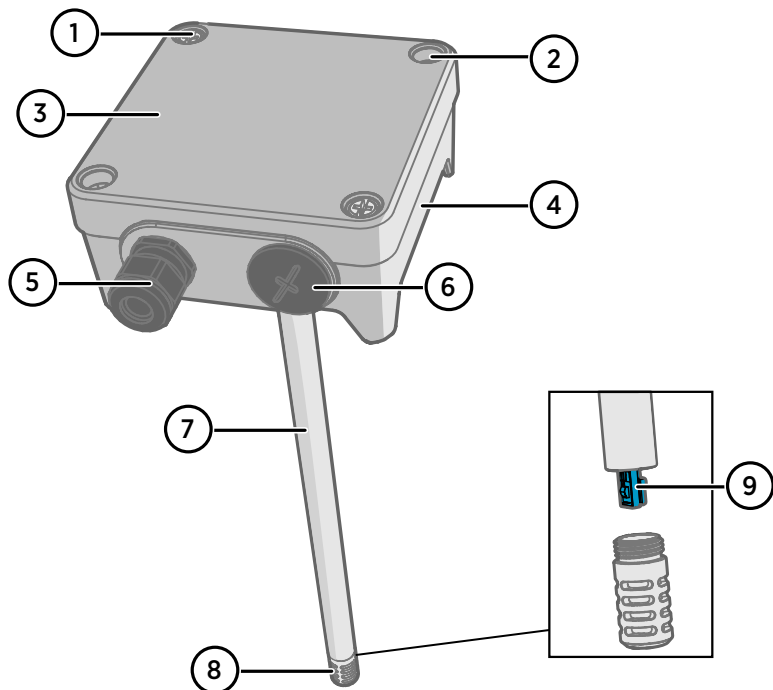


図 61 HMD62 および TMD62 変換器の部品の概要

- 1 拘束ネジ (2 本、プラス)。変換器の蓋を取り付けます。
- 2 ネジ (2 本)。変換器を取り付け面に取り付けます。
- 3 変換器の蓋。蓋の拘束ネジを開くと入出力電子回路部にアクセスできます。
- 4 変換器基盤。変換器の基板には入出力コネクタがあります。「[変換器基板 \(ページ 86\)](#)」を参照してください。
- 5 ケーブルグランド (M16x1.5 導入口)。ワイヤを変換器に導入します。ケーブルグランドと導管のオプションについては、『HMD60 User Guide』を参照してください。
- 6 代替配線導入口 (M20x1.5)。
- 7 プローブ本体。ロングプローブ (上図) /ショートプローブのオプションがあります。「[変換器の寸法 \(ページ 83\)](#)」を参照してください。
- 8 プローブフィルタ (初期設定のオプション: AISI 316L ステンレス)。フィルタオプションについては、『HMD60 User Guide』を参照してください。
- 9 プローブフィルタ内部の HUMICAP® センサ。



注意 センサ素子には手で触れないでください。

取り付け

変換器の寸法

寸法はミリメートルおよびインチ単位です。

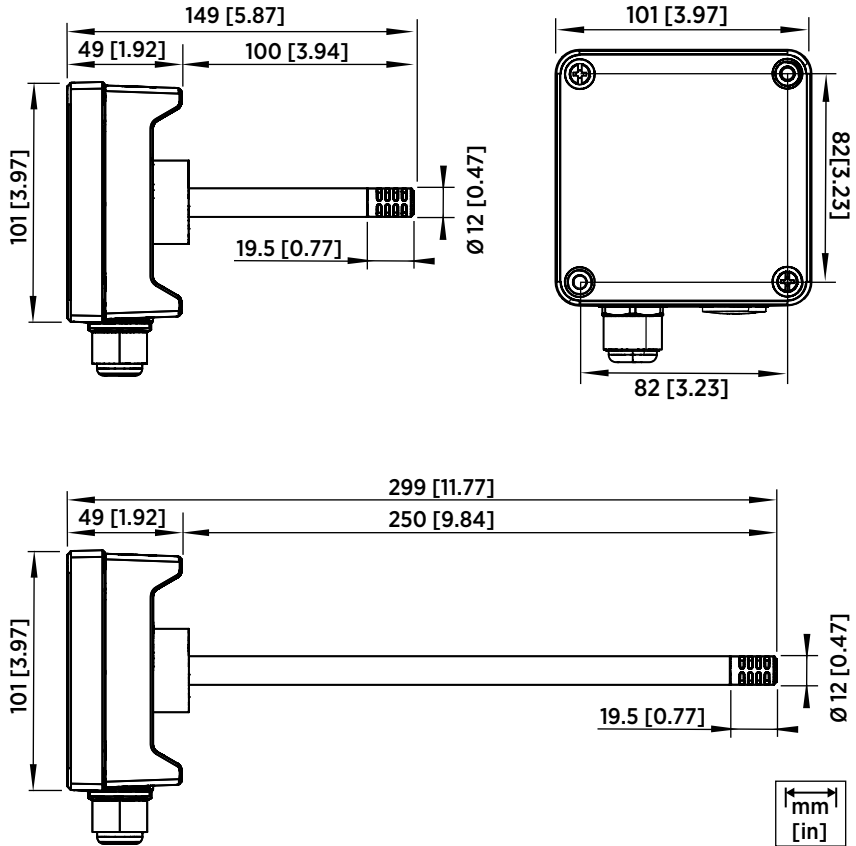


図 62 ロングブローブ/ショートブローブの寸法

ダクト取り付けの概要

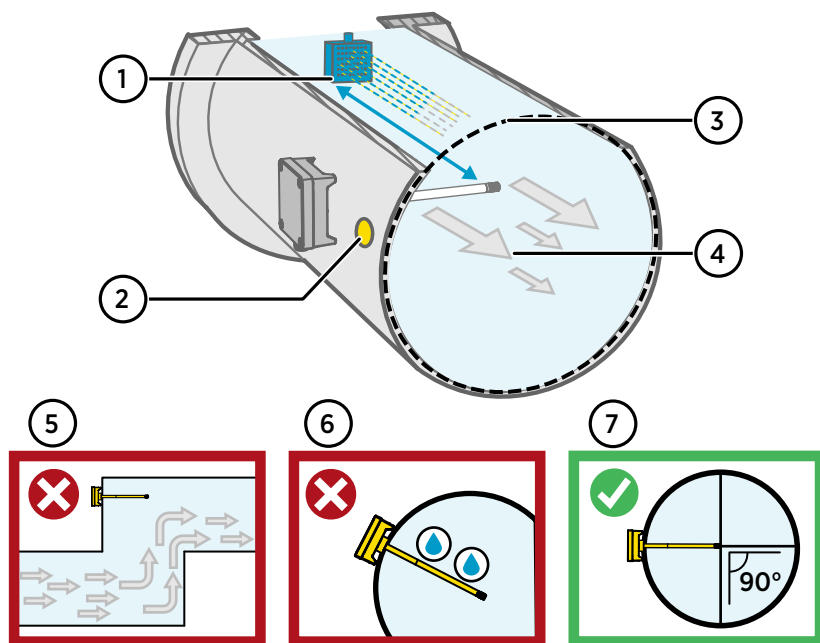


図 63 ダクト取り付けの概要

- 1 加湿器がある場合、プローブ本体と少なくとも 5m (16.5ft) 以上の距離をおいてください。
- 2 変換器を取り付ける際は、取り付け穴から気流の向きに約 30cm (12 インチ) 離れた場所にドリルを使って別の穴をあけ、取り外し可能なシールで塞ぎます。この 2 つ目の穴は、後で変換器を校正または調整する際に他のデバイスを使用して基準測定を行うために使用します。
- 3 プローブ本体に対してダクトの直径が適切であることを確認します（「[変換器の寸法 \(ページ 83\)](#)」を参照）。センサ（プローブヘッド）の取り付け位置がダクトの中央にすることが理想です。
- 4 最大気流速度: 50m/秒（焼結フィルタ使用）
- 5 溜りができる突出部分に変換器を取り付けしないでください。気流がない場所では過飽和が発生する可能性があります。
- 6 プローブを下向きに取り付けしないでください。プローブが下を向いていると、結露がプローブ本体を伝ってセンサに上に落下する可能性があります。
- 7 センサができるだけダクトの中央に近づくように、プローブを 90°の角度で取り付けてください。



注意 ダクト内のセンサ上に結露が落下する可能性がある場所には取り付けしないでください。

ダクトへの取り付け



- 取り付けネジと蓋のネジ用の中型プラスドライバー。
- ネジ端子用の小型マイナスドライバー。
- 取り付け穴をあけるためのドリルと 3.5mm (0.14 インチ) と 13~15mm (0.51~0.59 インチ) のビット。
- 配線を切断したり被覆を剥いだりするための工具。

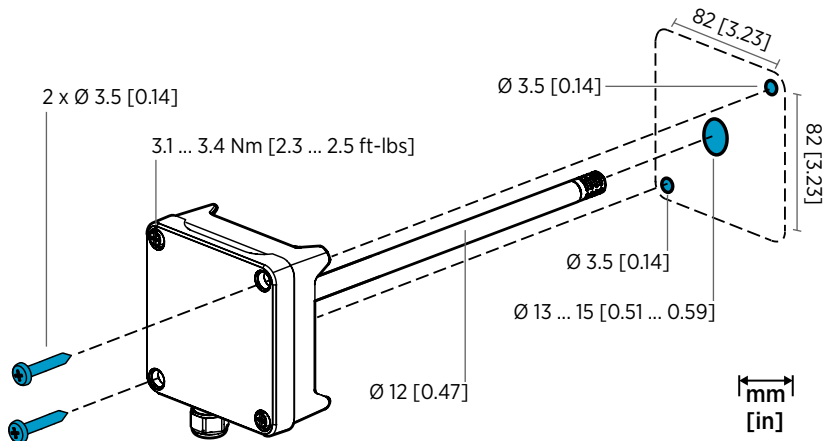


図 64 穴あけおよび取り付けネジ

- ▶ 1. ダクトの表面上で変換器の取り付け場所を選択し、ドリルでプローブ挿入用の $\varnothing 13\sim 15\text{mm}$ (0.51~0.59 インチ) の穴をあけます。
2. 変換器本体がダクトに当たるまで、プローブをダクトの穴に押し込みます。
3. $\varnothing 3.5\text{mm}$ (0.14 インチ) のネジ 2 本で変換器本体をダクトに固定します。



取り付け穴に絶縁リングがしっかり当たっていることを確認します。取り付け穴が確実に密封されていないと、ダクトに負圧が発生した場合にダクトに外気が流れ込み、測定に影響を与える可能性があります。

4. オプション: 変換器の取り付け穴から約 30cm (12 インチ) 離れた場所に、ドリルを使って基準測定用の別の穴をあけます。「[図 63 \(ページ 84\)](#)」を参照してください。
5. 変換器本体の 2 本の拘束ネジを緩め、蓋を取り外します。
6. 入力/出力配線を変換器の基板のネジ端子に接続します。「[配線 \(ページ 87\)](#)」を参照してください。配線が完了したら、ケーブルグランドを固く締め付けます。
7. DIP スイッチとトリマーが正しい位置にあることを確認します。「[DIP スイッチの出力の選択 \(HMD62\) \(ページ 91\)](#)」および「[トリマー \(ページ 90\)](#)」を参照してください。
8. 変換器の蓋を閉じ、変換器の電源入力をオンにします。

変換器基板

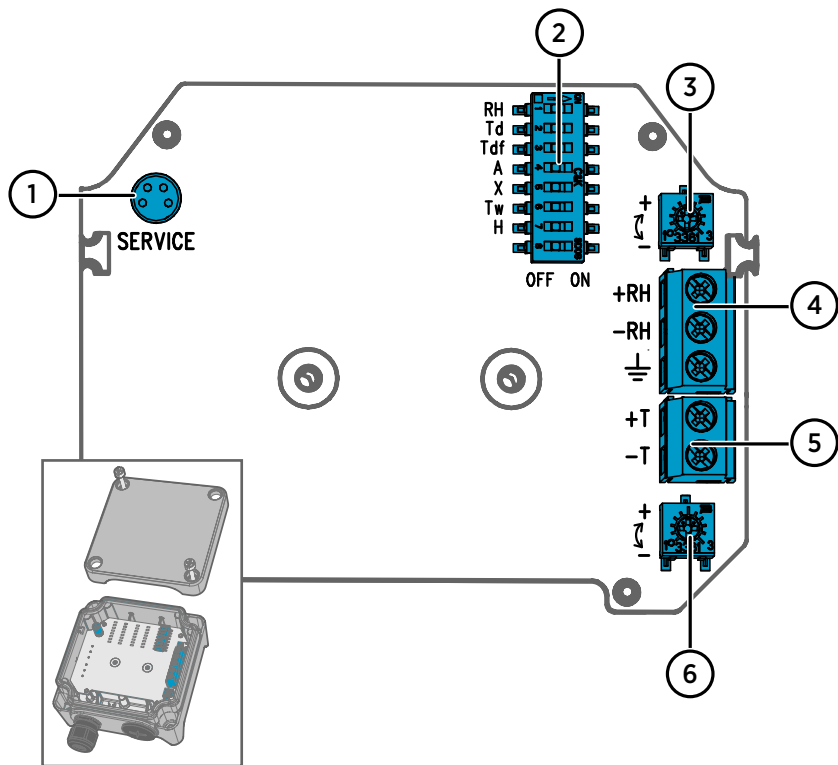


図 65 HMD60 変換器基板: サービスポート、DIP スイッチ、トリマー、およびネジ端子

- 1 MI70 ハンディタイプ指示計および Insight PC ソフトウェアのケーブル接続用のサービスポート。
- 2 湿度パラメーター選択用の DIP スイッチ (HMD62)。
- 3 湿度測定調整用のトリマー (HMD62)。
- 4 湿度測定値出力用のネジ端子 (HMD62)。
- 5 温度測定値出力用のネジ端子。
- 6 温度測定調整用のトリマー。



HMD62 の基板 (図 65 (ページ 86) を参照) には、湿度と温度の両方に出力オプションがあります。TMD62 の基板には、温度出力オプション用のコンポーネントのみです。詳細については、「配線 (ページ 87)」を参照してください。

配線

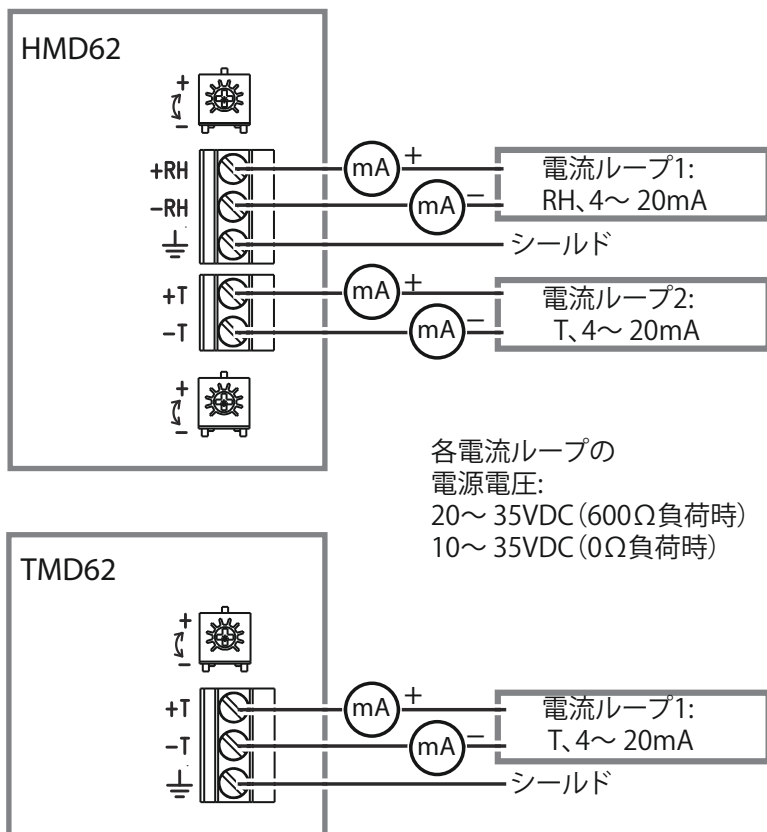


図 66 HMD62 と TMD62 の配線図




警告 通電していない配線のみを用意または接続するようにしてください。



電気を安全に使用するために、過負荷保護機能付きの電源を使用することをお勧めします。

入出力

表 13 入出力

特性	仕様
アナログ出力	HMD62: • RH 出力、1 個 ¹⁾ 4~20mA 電流、ループ電源 • T 出力、1 個 4~20mA 電流、ループ電源 TMD62: • T 出力、1 個 4~20mA 電流、ループ電源
供給電源  各電流ループ出力に専用の電源が必要です。	10~35VDC (RL=0Ω) 20~35VDC (RL=600Ω)
サービスポートコネクタ	MI70 ハンディタイプ指示計接続用 (ケーブルアクセサリ 219980SP が必要) または Vaisala Insight PC ソフトウェアのケーブル接続用 (USB ケーブルアクセサリ 219690 が必要) の M8 4 ピンオスコネクタ ²⁾
ケーブル挿入口	<ul style="list-style-type: none"> • M16x1.5 取り入れ口、ヴァイサラから入手できるオプション: <ul style="list-style-type: none"> • ケーブルグランド M16x1.5 (ヴァイサラ注文コード: 254280SP)。これは、HMD60 に付属している初期設定のオプションです。 • 導管取り付け具 M16x1.5、1/2" NPT (ヴァイサラ注文コード: 210675SP) • 代替の M20x1.5 取り入れ口
ネジ端子の配線サイズ	0.5 ... 1.5mm ²

- 1) HMD62 で利用可能な計測パラメーターには、 T_d 、 T_{df} 、A、X、 T_w 、H などがあります。
- 2) Windows 用 Vaisala Insight ソフトウェアは、www.vaisala.co.jp/insight で入手可能です。



注意 ユニットの改変したり、本書に記載されていない方法で使用したりしないでください。不適切な改変は、安全上の問題や機器の損傷に加えて、仕様準じた動作が行われなくなったり、機器の寿命が短くなったりする原因となる場合があります。

設定オプション

Vaisala Insight ソフトウェア

Vaisala Insight ソフトウェアは、Vaisala Indigo 互換プローブおよび変換器の設定ソフトウェアです。サポートされているオペレーティングシステムは、Windows 7 (64 ビット)、Windows 8.1 (64 ビット)、Windows 10 (64 ビット) です。



HMD60 シリーズ変換器で確実に機能するように、www.vaisala.co.jp/insight で Insight の最新バージョンをダウンロードしてください。

Insight ソフトウェアを使用すると、以下を行うことができます。

- 測定状況、デバイス情報、状態のリアルタイム表示。
- 出力とスケーリングの設定。
- デバイスの校正と調整。

HMD60 は、ヴァイサラ製 USB ケーブル (注文コード 219690) を使用して、Insight に接続できます。

Insight ソフトウェアへの接続



- Vaisala Insight ソフトウェアをインストールしたコンピューター
- USB 接続ケーブル (注文コード 219690)

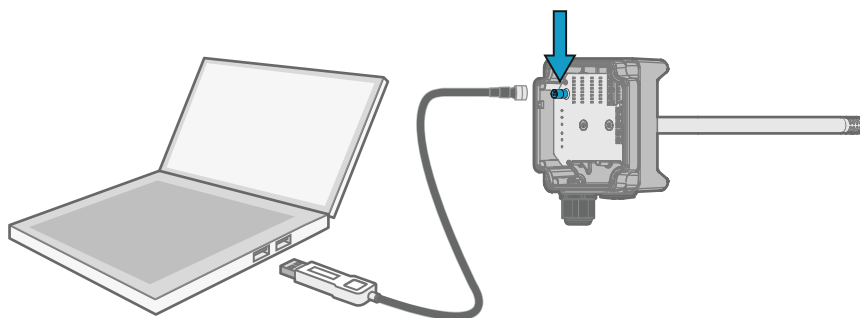


図 67 Insight への変換器の接続

- ▶ 1. Insight ソフトウェアを開きます。
2. USB ケーブルを PC の空いている USB ポートに接続します。
3. USB ケーブルを変換器のサービスポートに接続します。
4. Insight ソフトウェアで変換器が検出されるのを待ちます。

トリマー

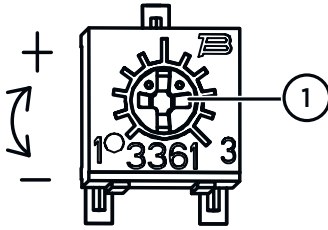


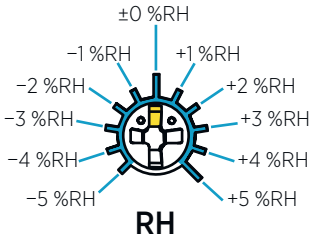
図 68 回路基板調整トリマー

- 1 プラスドライバーを使用して RH または T 調整トリマーを回転させます。測定出力値を高くするには、トリマーを時計回りに回します。低くするには、反時計回りに回します。トリマーを回した後、測定値出力が変わるまでに少し時間がかかります。

基板上のトリマーで、変換器の RH (HMD62) または T (HMD62 および TMD62) 測定値出力を調整できます。トリマー調整では、出力が既知の基準値に一致するまでトリマーを使用して変換器の出力を修正します。

トリマーを使用して調整を行うには、基準測定ソースが必要です。HMD60 が取り付けられている環境に基準計器を挿入して計器の指示値を比較するか、または HMD60 を取り付け環境から取り外し、校正および調整ツール (Vaisala の湿度校正器 HMK15 など) を使用して既知の値で環境を用意することができます。

HMD62: -5 %RH ... +5 %RH



TMD62, HMD62: -0.3 °C ... +0.3 °C

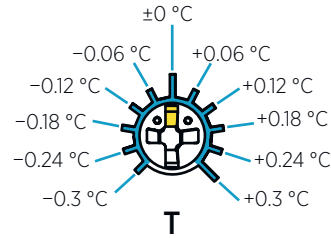


図 69 RH と T のトリマー調整範囲 (指標値)



校正できるのは、相対湿度測定 (RH) と温度測定 (T) のみです。その他のパラメーター (HMD62 で使用可能) は RH と T に基づいて内部計算されます。物理トリマーを使用して調整する場合は、出力選択 DIP スイッチが RH に設定されていることを確認してください。Insight PC ソフトウェアを使用する場合は、すべての DIP スイッチを **OFF** の位置に設定してください。調整トリマーを使用する方法の詳細については、『HMD60 User Guide』を参照してください。



注意 Insight PC ソフトウェアを使用して測定を調整したり工場出荷時の設定に戻したりする場合は、開始前に必ず物理トリマーを中央の位置に戻してください。Insight で調整する場合、その時点でのトリマーの位置が ±0 ポイントに設定されます。

DIP スイッチの出力の選択 (HMD62)

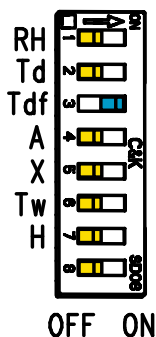


図 70 HMD62 の DIP スイッチの例: T_{df} 出力を選択中

- RH 相対湿度
- Td 露点温度
- T_{df} 露点/霜点温度
- A 絶対湿度
- X 混合比
- Tw 湿球温度
- H エンタルピー

HMD62 の RH チャンネルに出力される湿度パラメーターを、基板の DIP スイッチで変更できます。変換器で出力するパラメーターを選択するには、そのパラメーターの DIP スイッチを右 (ON) にスライドさせます。図 70 (ページ 91) の例において、変換器で選択されている出力パラメーターは露点/霜点温度 (T_{df}) です。その他の DIP スイッチは OFF の位置 (左) のままにします。

選択したパラメーターには、表 14 (ページ 91) に示す初期設定のスケールリングが使用されます。

表 14 HMD62 のパラメーターの初期設定のスケールリング

パラメーター	4~20mA の出力範囲における初期設定のスケールリング
RH	0~100%RH
T_d	-40 ... +80°C (-40~+176°F)
T_{df}	-40 ... +80°C (-40~+176°F)
A	0~300g/m ³ (0~131.1gr/ft ³)
X	0~600g/kg (0~4200gr/lb)
T_w	-40 ... +80°C (-40~+176°F)
H	-40~1600kJ/kg (-9.5~695.6Btu/lb)



パラメーターの初期設定のスケールリングを変更する必要がある場合は、Vaisala Insight PC ソフトウェアで出力を設定します。『HMD60 User Guide』の手順を参照してください。



注意 Insight ソフトウェアを使用して出力をより詳細に設定する場合は、DIP スイッチの選択内容が Insight の設定より優先されることに注意してください。Insight を使用して出力を設定する場合、すべての DIP スイッチを OFF の位置 (左) に設定し、Insight の設定と競合しないようにしてください。

HMD60 系列简介

管道安装式 HMD60 HUMICAP® 湿度和温度变送器专门设计用于在苛刻的暖通空调和轻工业应用中监测湿度和温度。HMD60 系列变送器提供稳定、可靠和高度精确（高达 $\pm 1.5\%$ RH 和 $\pm 0.1\text{ }^{\circ}\text{C}$ ($0.18\text{ }^{\circ}\text{F}$)）的测量，并且耐受化学物质和灰尘。

HMD60 系列变送器选件包括两个模拟输出型号：HMD62 用于同时测量湿度和温度，而 TMD62 用于测量温度。HMD62 和 TMD62 都使用 4 ... 20 mA 回路供电电流输出。HMD65 变送器型号既包括模拟输出选项也包括数字输出选项。

由于在将变送器安装到管道时还可以很容易地接触到电子部件主板，因此可以快速、方便地执行配置和调整。可用的配置和调整接口选件的范围包括变送器电路板上的物理微调电容和 DIP 开关以及适用于 Windows® 的 Vaisala Insight PC 软件。

HMD62 和 TMD62 基本功能和选项

- 测量选项：
 - HMD62，用于湿度和温度测量
 - TMD62，用于温度测量
- HMD62 湿度参数输出选项：RH、 T_d 、 T_{df} 、A、X、 T_w 、H
- 模拟输出：4 ... 20 mA，回路供电
 - HMD62：2 个用于测量湿度和温度的模拟输出通道
 - TMD62：1 个用于测量温度的模拟输出通道
- 电源供电：10 ... 35 VDC / 20 ... 35 VDC
- 配置和调整选项：
 - 使用微调电容进行 RH 和 T 测量参数的现场调整
 - 使用 DIP 开关选择湿度输出参数 (HMD62)
 - 使用 MI70 手持式显示表头进行现场调整
 - 使用 Vaisala Insight PC 软件进行配置和调整

输出参数量程

- 默认温度模拟输出量程：-20 ... +80 $^{\circ}\text{C}$ (-4 ... +176 $^{\circ}\text{F}$)
- 湿度参数的默认量程 (HMD62)：请参见表 16 (第 103 页)。
- 要更改模拟输出参数的默认量程，请使用 Vaisala Insight PC 软件。请参见 HMD60 User Guide 中的说明。

更多信息

有关安装、配置和维护 HMD60 系列变送器的更多详细说明，请参见 HMD62 and TMD62 User Guide in English M212016EN 和 HMD65 User Guide in English M212243EN，网址为 www.vaisala.com/HMD60。

变频器部件

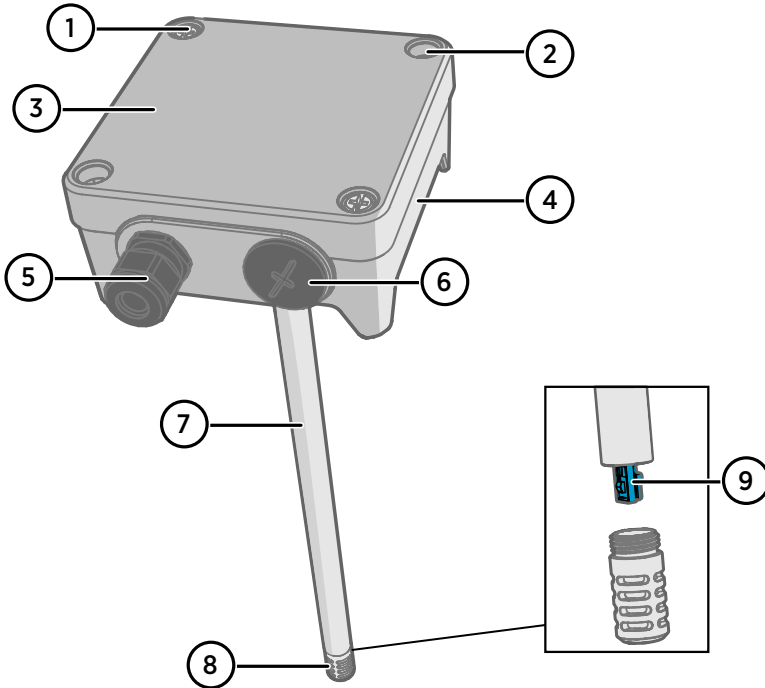


图 71 HMD62 和 TMD62 变频器部件概览

- 1 紧固螺钉（2 个，十字头），用于连接变频器盒盖。
- 2 螺钉（2 个），用于将变频器固定在安装面上。
- 3 变频器盒盖。打开盒盖的紧固螺钉可以接触输入和输出电子器件主板。
- 4 变频器本体。包含变频器主板上的输入和输出接头：请参见 [变频器板 \(第 98 页\)](#)。
- 5 电缆套管（M16 x 1.5 导通），用于将电线引入变频器。有关电缆套管和导管选项，请参见 HMD60 User Guide。
- 6 替代接线导管（M20 x 1.5）。
- 7 探头主体。可用的长探头选项（如图所示）和短探头选项：请参见 [变频器尺寸 \(第 95 页\)](#)。
- 8 探头过滤器（默认选项：AISI 316L 不锈钢）。有关过滤器选项，请参见 HMD60 User Guide。
- 9 探头过滤器内的 HUMICAP® 传感器。



警告 不要触摸传感器元件。

安装

变送器尺寸

尺寸以毫米和 [英寸] 为单位。

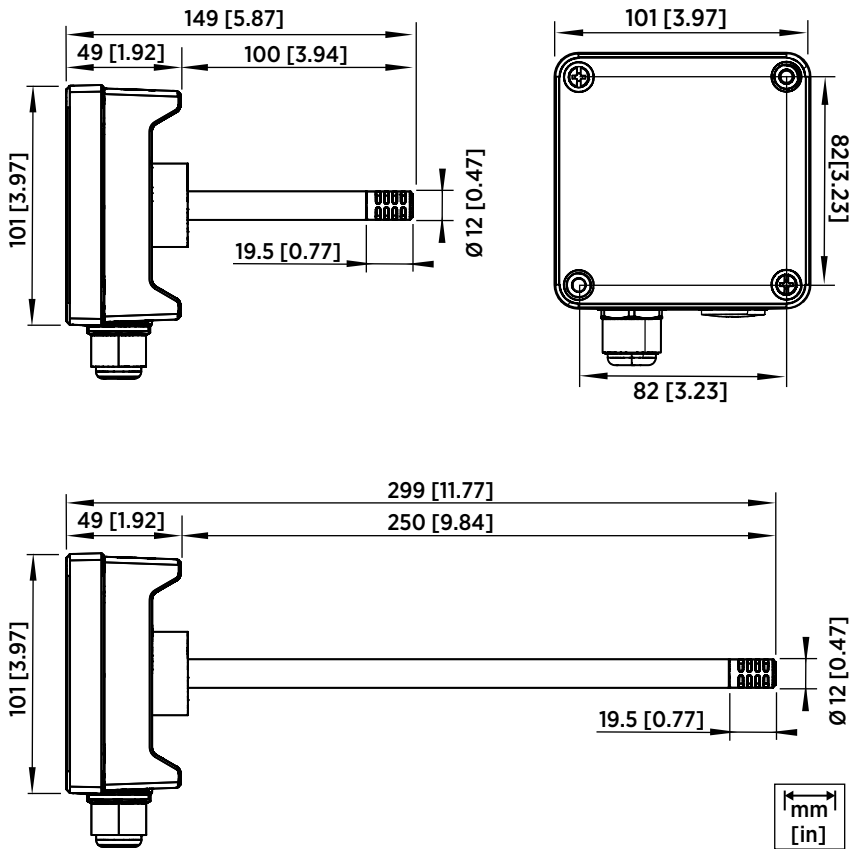


图 72 长探头和短探头的尺寸

管道安装概览

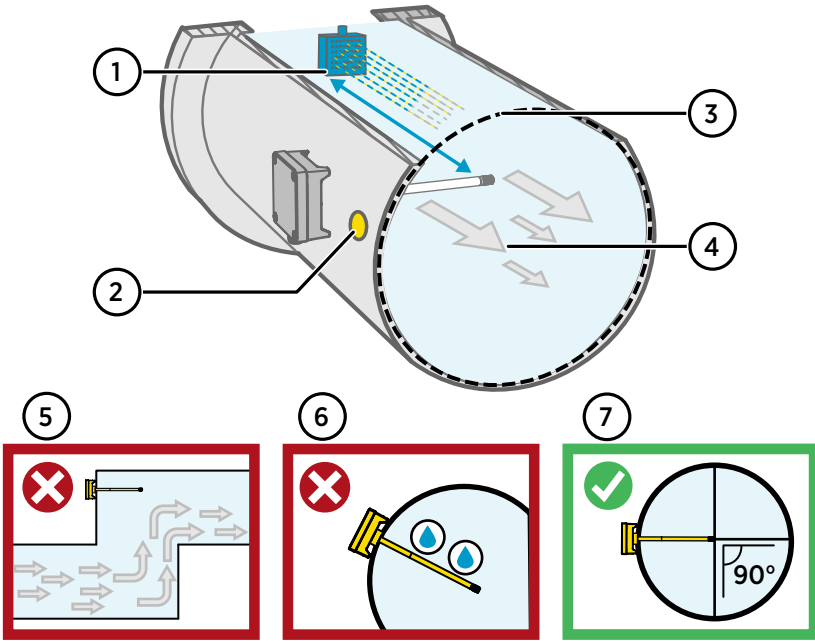


图 73 管道安装概述

- 1 确保探头主体与任何可能的加湿器之间的最小净空为 5 米（16.5 英尺）。
- 2 在安装变送器时，从安装孔中钻出第二个孔（约为 30 厘米（12 英寸）），孔朝向气流方向，并用可拆卸的密封件塞住此孔。以后在校准或调整变送器时，将使用这第二个孔作为其他设备的参考测量。
- 3 检查管道直径是否适合探头主体（请参见[变送器尺寸 \(第 95 页\)](#)）。理想情况下，传感器（探头）应安装在管道的中间。
- 4 最大气流速度：50 m/s（使用烧结过滤器）。
- 5 避免将变送器安装在盲管段中。在没有气流的区域可能会发生过饱和。
- 6 请勿以向下的角度安装探头。如果探头方向朝下，则冷凝水可能沿着探头主体流到传感器。
- 7 以 90° 角安装探头，以便将传感器放在尽量接近管道中间的位置。



警告 避免安装在冷凝水滴可能落在导管内传感器上的位置。

安装到管道中



- 用于安装螺钉和盒盖螺钉的中型十字头螺丝刀。
- 用于螺钉端子的小型一字螺丝刀。
- 用于钻出安装孔的 3.5 毫米 (0.14 英寸) 和 13 … 15 毫米 (0.51 … 0.59 英寸) 的钻头。
- 用于切割和剥线的工具。

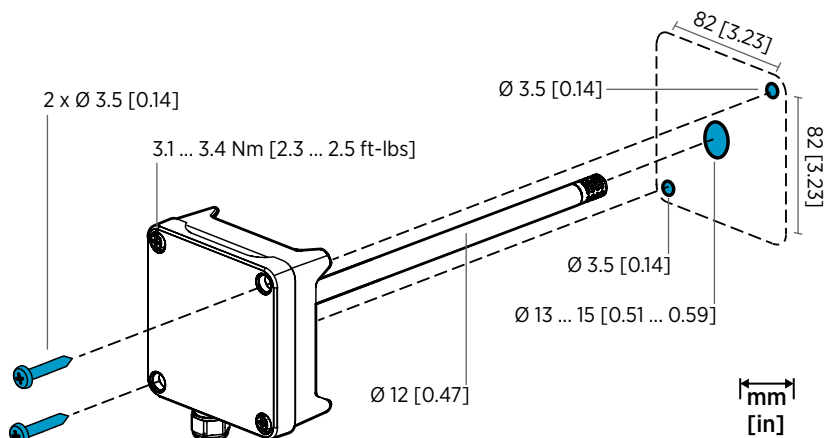


图 74 钻孔和安装螺钉

1. 在管道表面上选择变送器的安装位置，然后钻出一个直径为 13 … 15 毫米 (0.51 … 0.59 英寸) 的孔用于插入探头。
2. 将探头推入管道上的孔中，直至变送器主体接触到管道。
3. 使用 2 颗直径为 3.5 毫米 (0.14 英寸) 的螺钉将变送器主体连接到管道上。



检查绝缘环是否紧密地贴在安装孔上方。如果管道具有负压，则当安装孔未紧密密封时，外部空气可能会吸入管道中而影响测量。

4. 可选：从变送器安装孔中钻出第二个孔（约为 30 厘米 (12 英寸)）用于参考测量。请参见图 73 (第 96 页)。
5. 打开变送器本体上的 2 个紧固螺钉，然后卸下盒盖。
6. 将输入/输出接线连接到变送器部件板上的螺钉端子。请参见接线 (第 99 页)。接线后牢固地拧紧电缆套管。
7. 检查 DIP 开关和微调电容是否处于正确的位置。请参见 DIP 开关输出选择 (HMD62) (第 103 页) 和微调电容 (第 102 页)。
8. 合上变送器盒盖和变送器电源输入上的开关。

变送器板

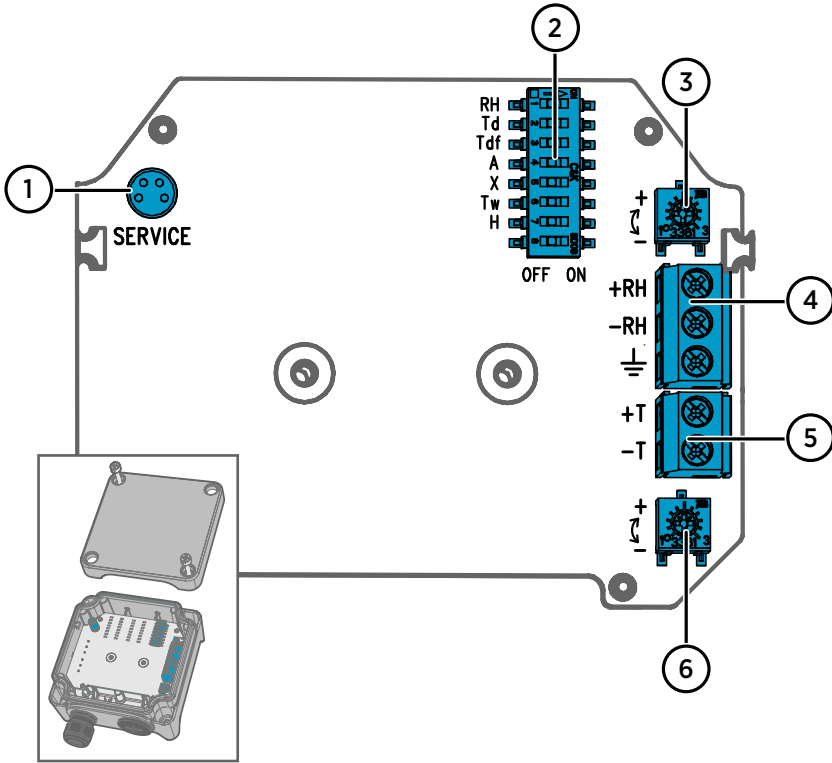


图 75 HMD60 变送器板：服务端口、DIP 开关、微调电容和螺钉端子

- 1 用于 MI70 手持式指示器和 Insight PC 软件电缆连接的服务端口
- 2 用于选择湿度参数的 DIP 开关 (HMD62)。
- 3 用于调整湿度测量的微调电容 (HMD62)。
- 4 用于湿度测量输出的螺钉端子 (HMD62)。
- 5 用于温度测量输出的螺钉端子。
- 6 用于调整温度测量的微调电容。



HMD62 电路板（显示在图 75 (第 98 页)）中同时包括用于湿度和温度输出的选项。TMD62 板只包含限于温度输出选项的部件。有关更多信息，请参见接线 (第 99 页)。

接线

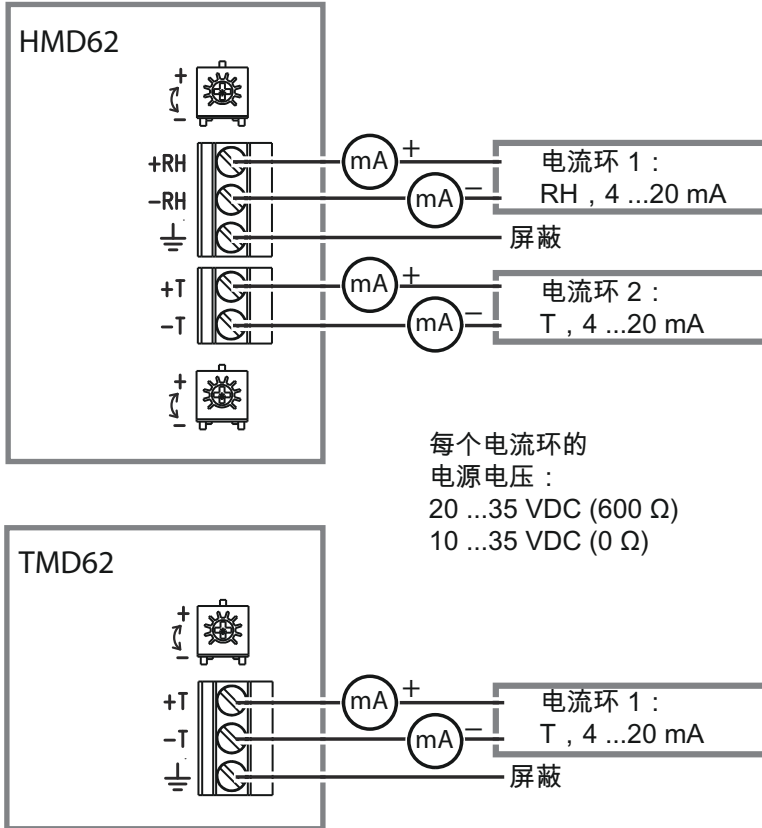


图 76 HMD62 和 TMD62 接线图




警告 请确保您准备的或连接的只是去磁电线。



推荐使用有过载保护的电源，以确保用电安全。

输入和输出

表 15 输入和输出

参数	规格
模拟输出	<p>HMD62:</p> <ul style="list-style-type: none"> · 1 x RH 输出 ¹⁾ 4 ...20 mA 电流, 回路供电 · 1 x T 输出 4 ...20 mA 电流, 回路供电 <p>TMD62:</p> <ul style="list-style-type: none"> · 1 x T 输出 4 ...20 mA 电流, 回路供电
电源输入	<p>10 ... 35 VDC (RL = 0 Ω) 20 ... 35 VDC (RL = 600 Ω)</p>
 每个电流回路输出都需要其自己的电源。	
服务端口接头	MI70 手持式指示器的 M8 4 针凸式接头 (需要电缆附件 219980SP) 或 Vaisala Insight PC 软件电缆连接 (需要 USB 电缆附件 219690) ²⁾
电缆接入	<ul style="list-style-type: none"> · M16 x 1.5 入口, Vaisala 提供的选件: <ul style="list-style-type: none"> · 电缆套管 M16 x 1.5 (Vaisala 订货代码: 254280SP)。这是随 HMD60 提供的默认选件。 · 导管配件 M16x1.5, ½ 英寸 NPT (Vaisala 订货代码: 210675SP) · 替代 M20 x 1.5 入口
螺钉端子接线尺寸	0.5 ...1.5 mm ²

1) 可用于 HMD62 的计算参数包括 T_d 、 T_{df} 、A、X、 T_w 和 H。

2) 提供适用于 Windows 的 Vaisala Insight 软件, 网址为 www.vaisala.com/insight。



警告 不要改动设备或者在使用设备时采用未在文档中描述的方式。不正确的改动可能导致安全危险、设备损坏、不能达到产品样本中承诺的性能或者缩短设备使用寿命。

配置选项

Vaisala Insight 软件

Vaisala Insight 软件是用于 Vaisala Indigo 兼容探头和变送器的配置软件。支持的操作系统是 Windows 7 (64 位)、Windows 8.1 (64 位) 和 Windows 10 (64 位)。



为了确保支持 HMD60 系列变送器，请通过 www.vaisala.com/insight 下载最新版本的 Insight。

使用 Insight 软件，您可以：

- 查看实时测量值、设备信息和状态。
- 配置输出和量程。
- 校准和调教设备。

可以使用 Vaisala USB 电缆（订货代码 219690）连接到 HMD60。

连接到 Insight 软件



- 安装了 Vaisala Insight 软件的计算机
- USB 连接电缆（订货代码 219690）

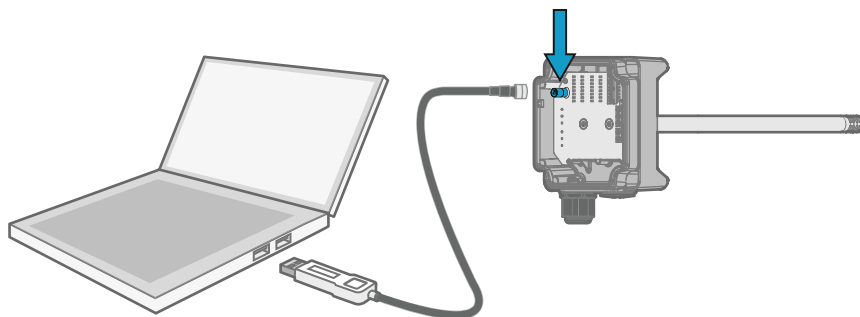


图 77 将变送器连接到 Insight

- ▶ 1. 打开 Insight 软件。
2. 将 USB 电缆连接到 PC 上的空闲 USB 端口。
3. 将 USB 电缆连接到变送器的服务端口。
4. 等待 Insight 软件检测变送器。

微调电容

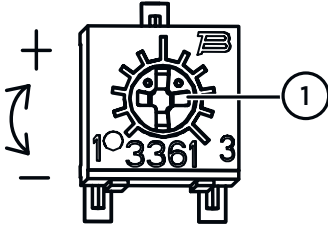


图 78 部件板调整微调电容

- 1 使用十字螺丝刀旋转 RH 或 T 调整微调电容。要增加测量输出值，请顺时针旋转微调电容。要降低此值，则逆时针旋转。
请注意，在旋转微调电容后，稍有延迟，测量输出才会改变。

您可以使用电路板上的微调电容调整变送器的 RH (HMD62) 或 T (HMD62 和 TMD62) 测量输出。在微调电容调整期间，使用微调电容调整变送器的输出，直至输出与已知的参考值相符。

为了使用微调电容进行调整，您需要一个参考测量源。您可以将参考仪器插入到安装了 HMD60 的环境中并比较仪器的读数，或者从安装环境中取出 HMD60 并使用校准和调整工具（例如，Vaisala 湿度校准仪 HMK15）以生成具有已知值的环境。

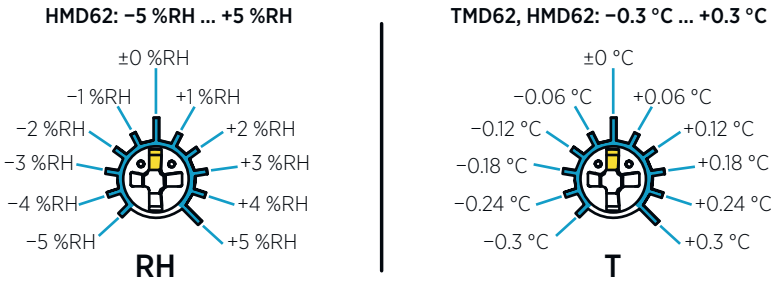


图 79 RH 和 T 微调电容调整范围 (图示)



您只能校准相对湿度测量 (RH) 和温度测量 (T)。其他参数 (可用于 HMD62) 在内部根据 RH 和 T 计算得出。当使用物理微调电容进行调整时，检查输出选择 DIP 开关设置为 RH；当使用 Insight PC 软件时，将所有 DIP 开关设置为关闭位置。有关使用调整微调电容的进一步信息，请参见 HMD60 User Guide。



警告 如果您使用 Insight PC 软件调整测量值或还原出厂设置，在启动前，应始终将物理微调电容返回为中间位置。当使用 Insight 进行调整时，微调电容此刻所在的位置设置为 ± 0 点。

DIP 开关输出选择 (HMD62)

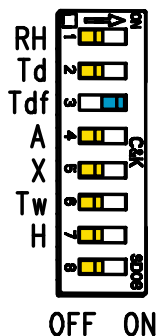


图 80 HMD62 DIP 开关示例：选择了 T_{df} 输出

RH	相对湿度
T_d	露点温度
T_{df}	露点温度/霜点温度
A	绝对湿度
X	混合比
T_w	湿球温度
H	焓值

您可以使用电路板上的 DIP 开关更改 HMD62 的 RH 通道上输出的湿度参数。通过将参数的 DIP 开关向右滑动（**开启**），选择想要变送器输出的参数。在图 80 (第 103 页) 的示例中，变送器的所选输出参数为露点温度/霜点温度 (T_{df})。将其他 DIP 开关保持在**关闭**位置（左侧）。

所选参数使用表 16 (第 103 页) 中所示的默认量程。

表 16 HMD62 默认参数量程

参数	4 ... 20 mA 输出范围的默认量程
RH	0 ... 100% RH
T_d	-40 ... +80 °C (-40 ... +176 °F)
T_{df}	-40 ... +80 °C (-40 ... +176 °F)
A	0 ... 300 g/m ³ (0 ... 131.1 gr/ft ³)
X	0 ... 600 g/kg (0 ... 4200 gr/lb)
T_w	-40 ... +80 °C (-40 ... +176 °F)
H	-40 ... 1600 kJ/kg (-9.5 ... 695.6 Btu/lb)



如果您需要更改参数的默认量程，则使用 Vaisala Insight PC 软件配置输出。请参见 HMD60 User Guide 中的说明。



警告 如果您使用 Insight 软件进一步配置输出，请注意 DIP 开关选择将覆盖 Insight 配置。当使用 Insight 配置输出时，将所有 DIP 开关设置为**关闭**位置（左侧），以确保它们不会导致与 Insight 设置冲突。

VAISALA

www.vaisala.com

