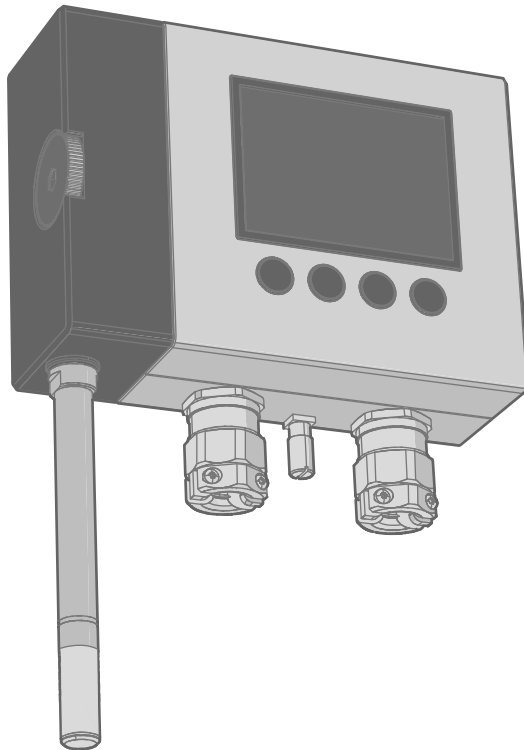


# Installation and Safety Guide

Intrinsically safe humidity and temperature transmitter series

**HMT370EX**



**VAISALA**

EN

DE

FR

NL

ES

PT

IT

HU

CS

PL

FI

ET

SV

NO

DA

PUBLISHED BY

Vaisala Oyj  
Vanha Nurmijärventie 21, FI-01670 Vantaa, Finland  
P.O. Box 26, FI-00421 Helsinki, Finland  
+358 9 8949 1

Visit our Internet pages at [www.vaisala.com](http://www.vaisala.com).

© Vaisala Oyj 2021

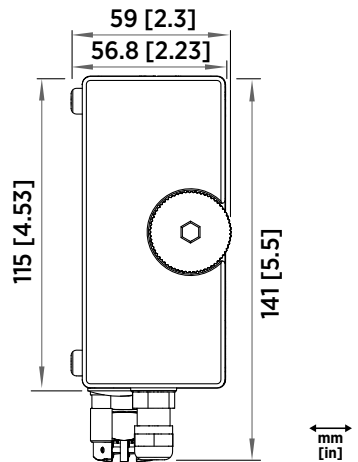
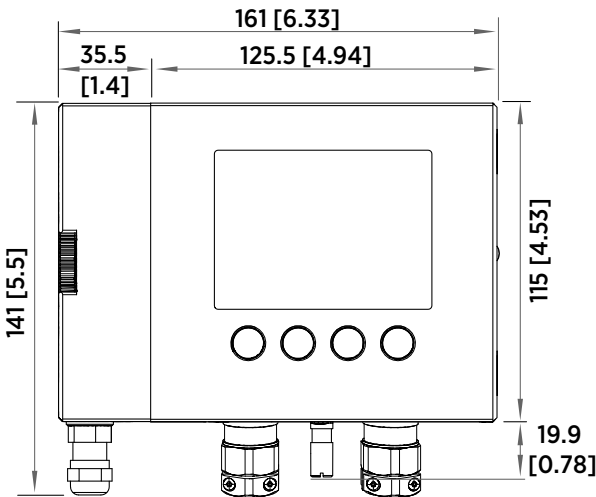
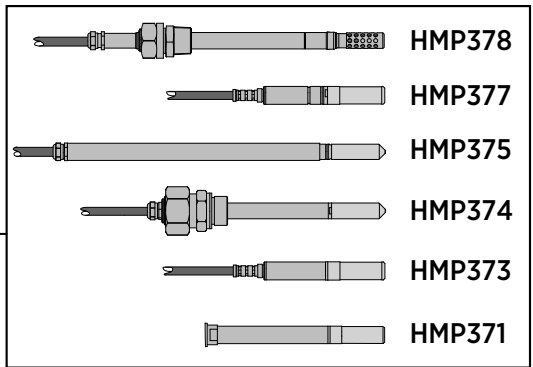
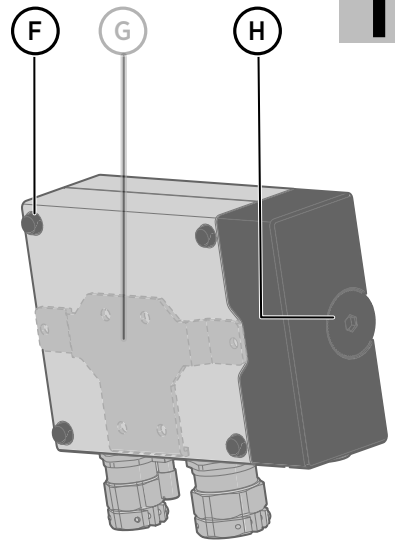
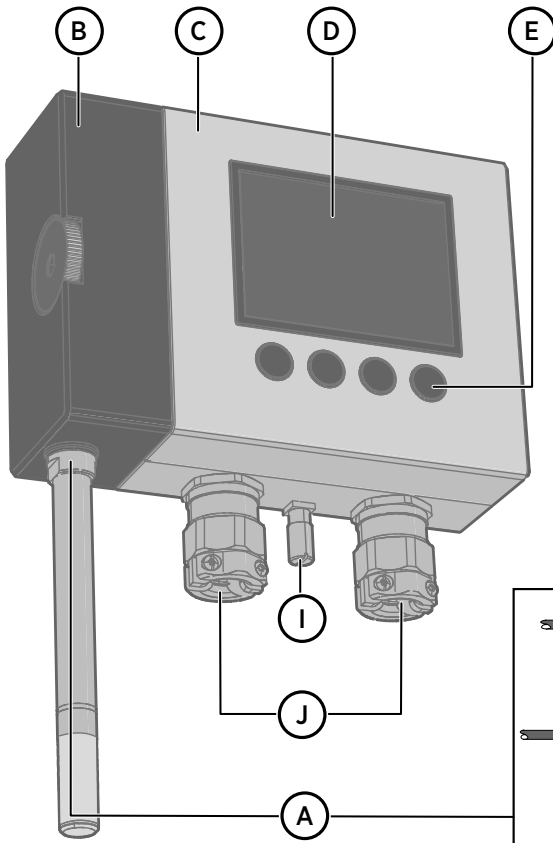
No part of this document may be reproduced, published or publicly displayed in any form or by any means, electronic or mechanical (including photocopying), nor may its contents be modified, translated, adapted, sold or disclosed to a third party without prior written permission of the copyright holder. Translated documents and translated portions of multilingual documents are based on the original English versions. In ambiguous cases, the English versions are applicable, not the translations.

The contents of this document are subject to change without prior notice.

Local rules and regulations may vary and they shall take precedence over the

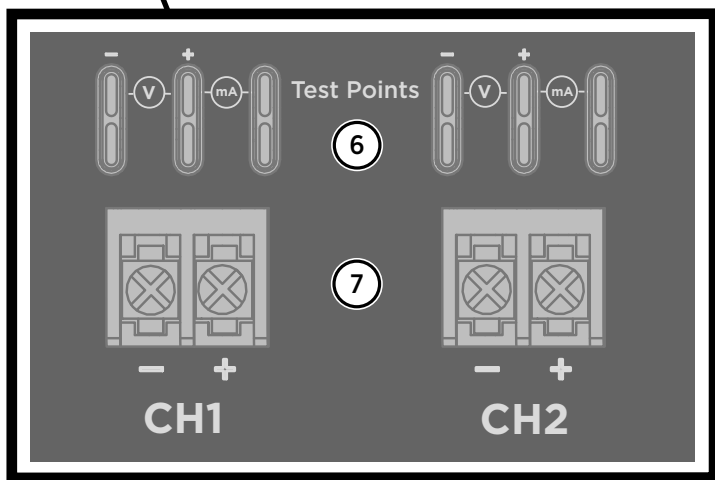
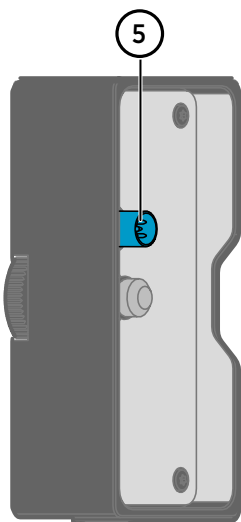
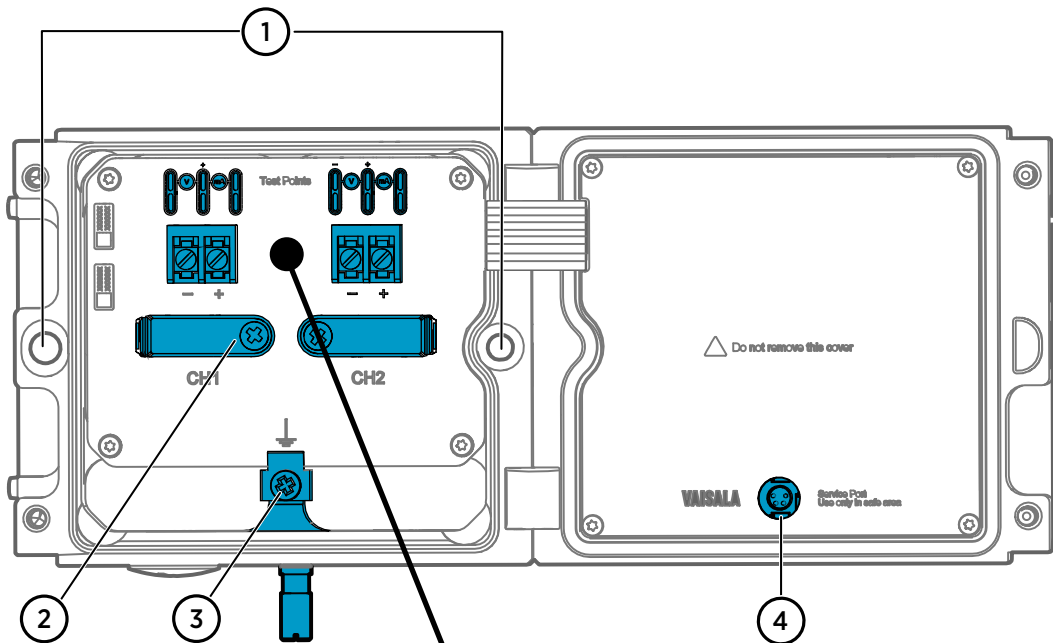
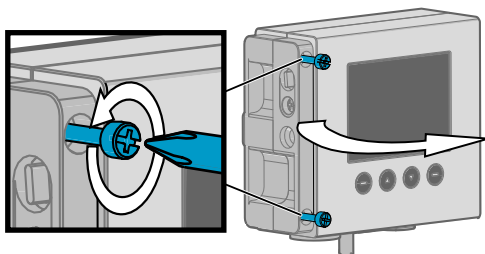
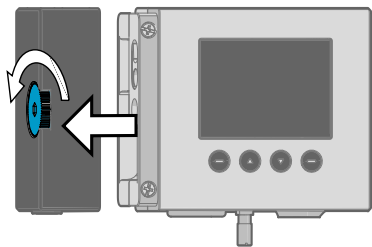
information contained in this document. Vaisala makes no representations on this document's compliance with the local rules and regulations applicable at any given time, and hereby disclaims any and all responsibilities related thereto.

This document does not create any legally binding obligations for Vaisala towards customers or end users. All legally binding obligations and agreements are included exclusively in the applicable supply contract or the General Conditions of Sale and General Conditions of Service of Vaisala.



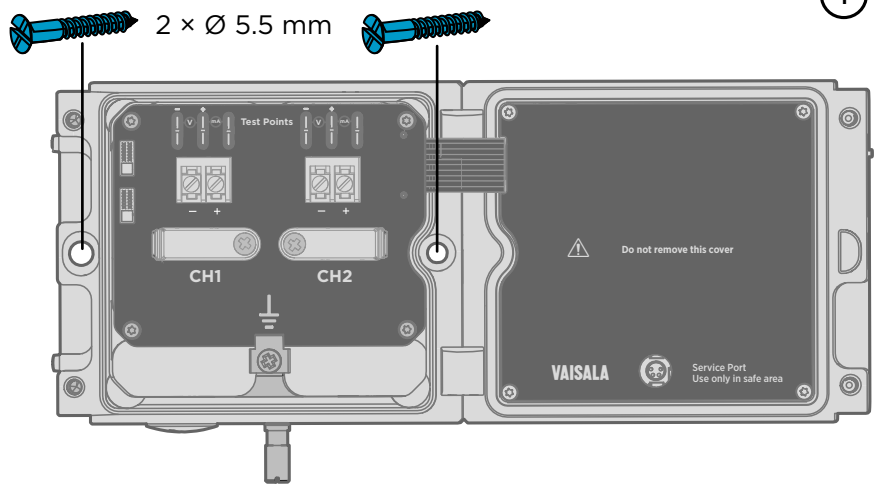
mm  
[in]

# 2

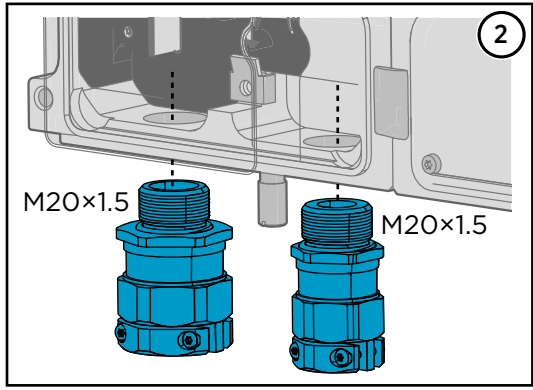




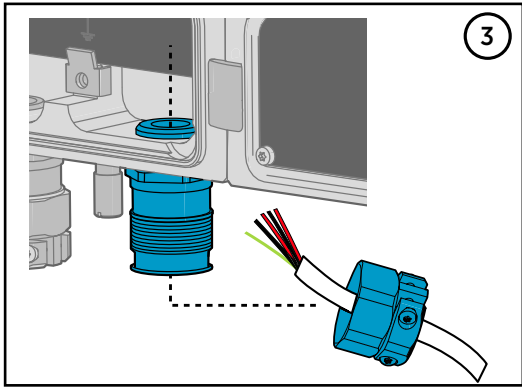
1



2

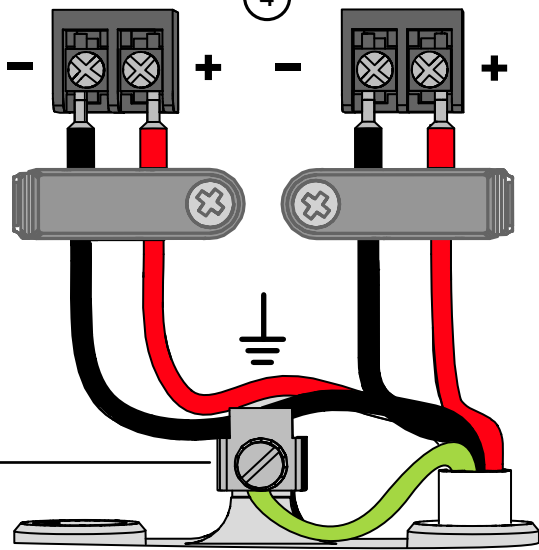


3



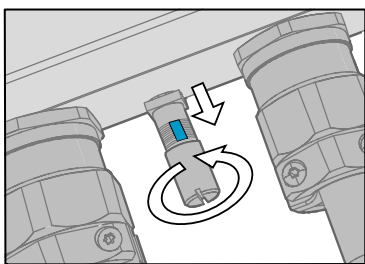
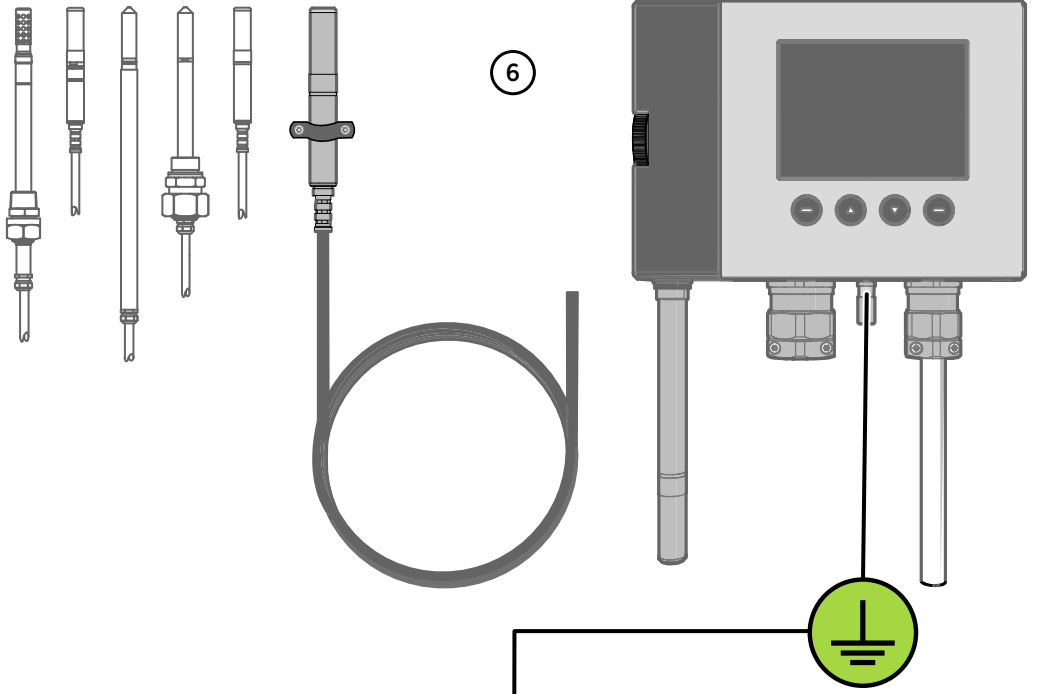
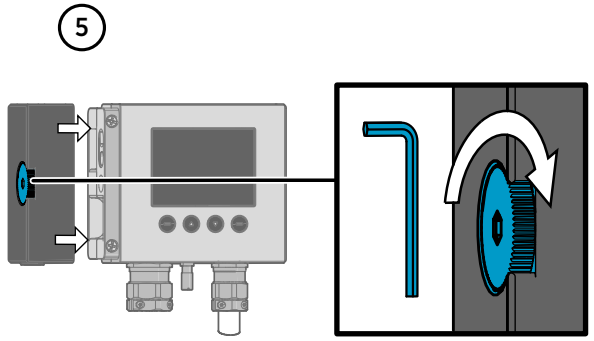
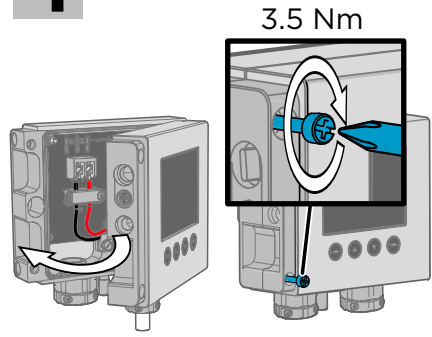
4

**CH 1**  
4 ... 20 mA  
12 ... 28 V

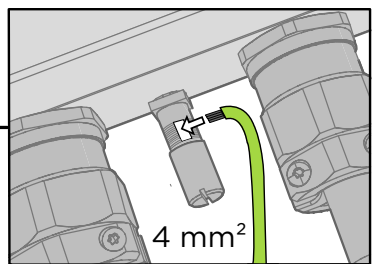


**CH 2**  
4 ... 20 mA

4



7



**Table of contents**

English.....	5
Deutsch.....	21
Français.....	39
Nederlands.....	59
Español.....	77
Português.....	97
Italiano.....	115
Magyar.....	133
Čeština.....	151
Polski.....	169
Suomi.....	187
Eesti.....	203
Svenska.....	219
Norsk.....	235
Dansk.....	251



# 1 Introduction to HMT370EX series

Vaisala HUMICAP® Humidity and Temperature Transmitter Series HMT370EX is the ideal solution for measuring humidity in hazardous areas. Intrinsically safe and robust, HMT370EX operates safely and reliably even in the most hazardous areas, such as Zone 0. HMT370EX transmitters can be used as a replacement for the long-running HMT360 transmitter series in all HMT360 applications.

HMT370EX can be installed directly in explosive areas. It can withstand continuous exposure to potentially explosive environments that contain flammable gases or dust, and requires no additional protective enclosures for operation in either gas or dust environments.

HMT370EX offers several probe options for different applications. Thanks to the detachable probe module, probes can be easily replaced and removed for calibration outside the hazardous area without removing the entire transmitter.

The transmitter has 2 analog current output channels (4 – 20 mA) for connection via safety barriers. For easy-to-use access to configuration, diagnostics, and calibration and adjustment functionalities, the probe and transmitter body can be connected to Vaisala Insight PC software for configuration either together as one unit or separately.

## 1.1 Basic features and options

- Available measurement parameters: relative humidity (RH) and temperature (T)
  - Calculated measurement parameters include <sup>1)</sup>: dew point temperature, wetbulb temperature, absolute humidity, mixing ratio, water concentration, water mass fraction, water vapor pressure, enthalpy, and oil/fuel moisture with special models
- Ex classification: IECEx and ATEX certified for use in Zone 0 and Zone 20 environments: for full Ex classifications, see [Table 1 \(page 6\)](#).
- 2 analog outputs (4 ... 20 mA, scalable, isolated)
- Display options: graphical LCD display or non-display model
- Power supply input: 12 ... 28 V
- Compatible with Vaisala Insight PC software

## 1.2 More information

For further information on using, configuring, and maintaining the transmitter after installation, see *HMT370EX User Guide* (available at [www.vaisala.com/HMT370EX](http://www.vaisala.com/HMT370EX)).

---

1) Additional calculated parameters available: see product information at [vaisala.com](http://vaisala.com)

## 2 Using HMT370EX Series transmitters in hazardous locations



**WARNING!** Protected installation using galvanic isolators or Zener barriers is mandatory in a hazardous environment.

In hazardous environments, always connect the transmitters via galvanic isolators or Zener barriers. A galvanic isolator or Zener barrier must also be used when the transmitter and probe body are in a safe area, but the probe head is installed in a hazardous environment. For wiring information, see the galvanic isolator and Zener barrier wiring diagrams included in this document.

HMT370EX does not include a galvanic isolator or a Zener barrier. They can be ordered as optional accessories from Vaisala.



**WARNING!** HMT370EX series transmitters have been designed for use in hazardous locations as specified by the product classification. The personnel installing, using, or maintaining HMT370EX transmitters are responsible for determining the appropriate protection concept for the specific application HMT370EX is used in, and that the hazardous area classification of the device meets the requirements of the application.



**WARNING!** If the equipment is used in a manner not specified by Vaisala, the protection provided by the equipment may be impaired.

HMT370EX series transmitters are certified for use in hazardous areas as defined by the following classifications:

Table 1 HMT370EX series hazardous area classifications

Certification	HMT370EX classification
IECEX <sup>1)</sup> / ATEX <sup>2)</sup>	II 1 G Ex ia IIC T4 Ga II 1 D Ex ia IIIC T <sub>200</sub> 85 °C Da -40 °C ≤ T <sub>amb</sub> ≤ +60 °C

1) *International certification*

2) *EU certification*



**CAUTION!** The personnel installing, operating, and maintaining HMT370EX transmitters must have the required competencies for working in the hazardous location, as defined by the applicable standards.

For information on the standards that apply to using HMT370EX based on the classification of the device, see HMT370EX certification documentation and the declarations of conformity related to HMT370EX at [www.vaisala.com/declarationofconformity](http://www.vaisala.com/declarationofconformity).

## 2.1 Guidelines for safe use in hazardous conditions

### HMT370EX Series parts overview

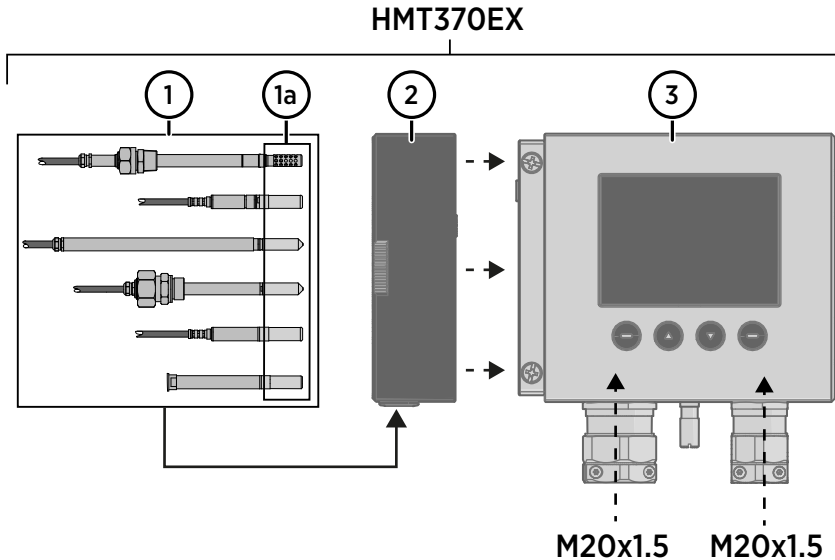


Figure 1 HMT370EX parts overview

HMT370EX Series transmitters consist of 3 main parts: the transmitter body, a detachable probe body, and a probe head attached to the probe body, either directly or using a cable. Figure 1 (page 7) shows the main parts.

- 1 Probe heads (for variant descriptions, see *HMT370EX User Guide*)
- 1a Probe head filters
- 2 Probe body
- 3 Transmitter body

The different probe head variants are designed for a range of applications, and have their own specifications. Ensure that the transmitter body, probe body, and probe head are each placed in an environment that matches the specification of the part. For allowed ambient temperature ranges, see [Table 2 \(page 8\)](#).

Table 2 Allowed ambient temperature ranges

Equipment part	Allowed ambient temperature range
Transmitter body	-40 °C ... +60 °C (-40 ... +140 °F)
Probe body	-40 °C ... +60 °C (-40 ... +140 °F)
Probe head HMP371	Temperature class T4: -40 °C ... +60 °C (-40 ... +140 °F)
Probe head HMP373	<b>Rubber cable version:</b> Temperature class T6: -40 °C ... +55 °C (-40 ... +131 °F) Temperature class T5: -40 °C ... +80 °C (-40 ... +176 °F) <b>FEP cable version:</b> Temperature class T6: -40 °C ... +55 °C (-40 ... +131 °F) Temperature class T5: -40 °C ... +100 °C (-40 ... +212 °F) Temperature class T4: -40 °C ... +120 °C (-40 ... +248 °F)
Probe heads HMP374, HMP375, HMP377, HMP378, HMP378F, and HMP378H	Temperature class T6: -70 °C ... +55 °C (-94 ... +131 °F) Temperature class T5: -70 °C ... +100 °C (-94 ... +212 °F) Temperature class T4: -70 °C ... +135 °C (-94 ... +275 °F) Temperature class T3: -70 °C ... +180 °C (-94 ... +356 °F)

## 2.1.1 Specific conditions of use



**CAUTION!** With the installation of the equipment in Zone 0 Group II area it has to be ensured that sparks due to impact or friction do not occur.



**Wiring requirements**

- The cable glands and cables used for wiring the device must not impair the Ex protection.
  - Unused lead-throughs must be sealed using Ex compliant plugs.
- Select a strain relief option that suits the application (either use cable glands that include strain relief or install separate clamps: see IEC 60079-14).



**CAUTION!** Connect only de-energized wires. Never switch on the power supply input before completing the wiring and closing the transmitter body.

**Intrinsic safety**

The overvoltage category of HMT370EX transmitters is I (non-mains equipment), and ambient pollution degree is 4, as specified in IEC 60664-1. For intrinsically safe input parameters, see [Table 3 \(page 9\)](#).

Table 3 Intrinsically safe input parameters

Parameter	Value	Associated apparatus entity parameters
$U_i$	28 VDC	$U_o \leq U_i$
$I_i$	100 mA	$I_o \leq I_i$
$P_i$	700 mW	$P_o \leq P_i$
$C_i$	12.1 nF	$C_o \geq C_i + C_{\text{cable}}$
$L_i$	16 $\mu$ H	$L_o \geq L_i + L_{\text{cable}}$

**Using analog output test points**

There are test points for measuring the voltages and currents of the analog outputs, located above each screw terminal block as shown in [Figure 2 \(page 10\)](#). Accessing the test points on the component board requires opening the transmitter enclosure.

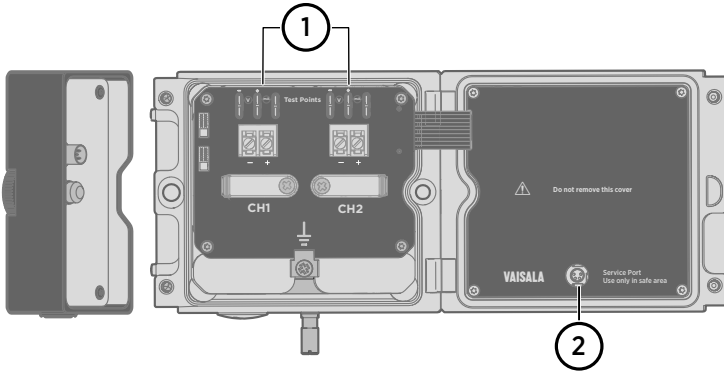


Figure 2 Location of test points and service port

- 1 Multimeter test points for analog output channels 1 and 2
- 2 Service port for PC connection



**CAUTION!** The transmitter body enclosure must not be opened in an explosion hazardous area, unless a safe work permit has been issued in accordance with the standard IEC 60079-14. Either remove the transmitter from the hazardous area before opening the enclosure, or ensure that an IEC 60079-14 compliant safe work procedure has been implemented in the hazardous area.

Use an intrinsically safe multimeter that won't cause the intrinsically safe input parameters listed in [Table 3 \(page 9\)](#) to be exceeded when it is connected in series (current measurement) or parallel (voltage measurement) to the associated apparatus.

#### Using the service port

The service port (see [Figure 2 \(page 10\)](#)) must only be used in a safe area. Either remove the transmitter from the hazardous area or ensure that a safe work procedure has been implemented in the hazardous area. Only use the Vaisala accessory PC connection cable with the service port.

#### Maintenance

The probe (includes probe body and head) can be detached and replaced by the user. The probe head filter (see [Figure 1 \(page 7\)](#)) is also user-replaceable. For other maintenance requirements, contact Vaisala.



**CAUTION!** The probe can be detached and changed when HMT370EX is powered. Any other live maintenance, including changing the probe head filter, is not allowed.

The content in this chapter is maintained in the following separately tracked document:

Document ID: M212506EN

Revision: D (11 Oct 2021)

## 3 HMT370EX parts

### External parts



Items A ... J refer to the external parts illustration page **1** in the beginning of the document. Items 1 ... 7 refer to the internal parts illustration page **2** in the beginning of the document.

Table 4 External parts

Item	Description
A	Probe head (for HMP370EX probe head variant options, see <i>HMT370EX User Guide</i> )
B	Detachable probe body
C	Transmitter body (see <i>Internal parts</i> table)
D	LCD display (in optional display model)
E	Display user interface buttons (display model only)
F	Wall pads (4 pcs)
G	Mounting plate (optional)
H	Probe body locking wheel
I	Grounding terminal
J	Lead-throughs for wiring (for cable gland and conduit options, see <i>HMT370EX User Guide</i> )

### Internal parts

Table 5 Internal parts

Item	Description
1	Holes for mounting screws
2	Cable fastening clamps
3	Transmitter grounding terminal
4	Transmitter service port (M8, requires Vaisala USB connection cable)
5	Probe body service port (M12, requires Vaisala USB connection cable)
6	Analog output channel 1 and 2 multimeter test points for current and voltage
7	Screw terminals for wiring analog output channels 1 and 2

## 4 Installation and wiring



**WARNING!** The installation must be carried out in a safe area, or you must ensure that an IEC 60079-14 compliant safe work procedure has been implemented in the hazardous area.



**WARNING!** When HMT370EX is powered, the transmitter enclosure must not be opened in a hazardous area. The probe can be detached and changed when HMT370EX is powered. Any other live maintenance, including changing the probe head filter, is not allowed.

### 4.1 Installation preparations

Before starting the installation, check the following:

- Make sure that your installation site suits the Ex classification of the transmitter: see [Table 1 \(page 6\)](#).
- Review the hazardous area information in [Guidelines for safe use in hazardous conditions \(page 7\)](#) for further information on Ex safety requirements related to HMT370EX and specific conditions of use.
- Review the wiring diagrams included in this document for information on wiring using either a galvanic isolator or a Zener barrier.
  - [Wiring with galvanic isolators \(page 18\)](#)
  - [Wiring with Zener barriers \(page 19\)](#)
- When selecting the cable glands and plugs for your application, make sure they are Ex compliant. The glands and plugs must be water and dust tight.

#### Wiring information



**WARNING!** Protected installation using galvanic isolators or Zener barriers is mandatory in a hazardous environment.



**CAUTION!** When planning the wiring of your application, note that Channel 1 (CH1) must always be wired. The transmitter receives power through the Channel 1 screw terminals, and does not power on if only Channel 2 (CH2) is wired.



**CAUTION!** Ensure that the transmitter is powered correctly. 12 VDC is the minimum voltage in all conditions, measured at the transmitter screw terminals. If the supply voltage is less than 12 VDC, the analog output current can be erroneous.



It is recommended to use ferrules on the stripped wires to help ensure a secure connection with the screw terminals.

### Lead-through selection and default plugs

HMT370EX comes delivered with 2 different plug types on the transmitter lead-throughs, as shown in [Figure 3 \(page 14\)](#).

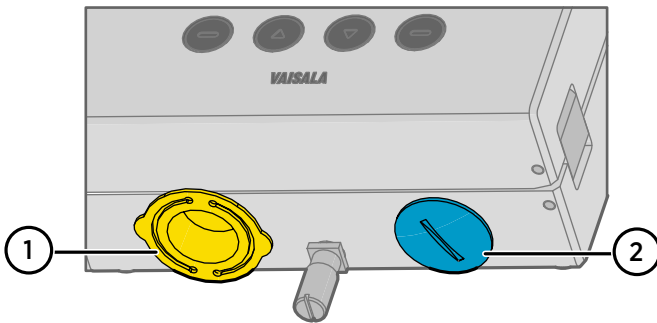


Figure 3 Default plugs in HMT370EX lead-throughs

- 1 Removable plastic transport cover: must be replaced (fold sides of transport cover together and pull out)
- 2 Metal sealing plug: can be used in final installation

The plastic transport cover (1) must always be replaced with an Ex compliant cable gland, conduit, or seal when wiring HMT370EX. The metal sealing plug (2) can be left in place and used in the final installation, if the right-hand lead-through is not used. For cable gland and conduit options, see *HMT370EX User Guide*.

## 4.2 Installing HMT370EX



- Screws for mounting the transmitter:
  - Installation directly through the transmitter body: 2 pcs Ø 5.5 mm screws
  - Installation with optional mounting plate: 4 pcs Ø 5.5 mm screws and 2 pcs M6 Allen screws
- Crosshead screwdriver for transmitter cover captive screws and wiring screw terminals
- Flathead screwdriver for the grounding terminal
- Cable glands, conduits, and plugs as required in your application, and suitable tools for attaching and tightening them
- Wire-cutting pliers

### Optional:

- Crimping tool and wire ferrules
- Allen key (5 mm) for probe body locking wheel
- Ex-compliant multimeter for testing analog outputs



Steps 1 ... 7 refer to illustrations 1 ... 7 on illustration pages **3** and **4** in the beginning of the document.

- ▶ 1. Select a surface (for example, a wall) for installing the transmitter. You can mount the transmitter directly to the installation surface with 2 screws, or use an optional mounting plate that attaches to the back of the transmitter.
  - a. Installation without mounting plate: attach the transmitter body directly to the installation surface with 2 Ø 5.5 mm screws. The left-hand screw hole has extra vertical space for adjusting the position of the transmitter after you have attached the right-hand screw.
  - b. Installation with mounting plate: attach the mounting plate to the installation surface with 4 Ø 5.5 mm screws, and then attach the transmitter to the mounting plate with 2 M6 Allen screws.
2. Attach cable glands (1 or 2) to the wiring lead-throughs as required in your application. Note the cable gland requirements listed in [Specific conditions of use \(page 8\)](#).
  - Both lead-throughs have M20x1.5 threads.
  - Plug possible unused lead-throughs with Ex compliant seals.
  - The glands and plugs must be water and dust tight.

3. Prepare the cabling wires as required in your application (cabling either through 1 or 2 lead-throughs).
  - a. Strip the cable wires: it is recommended to attach ferrules to the contact ends of the wires.
  - b. Open the cable gland and insert a suitable length of the cable inside the transmitter through the cable gland.
  - c. Tighten the cable gland: refer to the instructions of the glands used in your application for maximum tightness.
  - d. If your installation does not require using both lead-throughs, plug the unused lead-through with an Ex compliant seal.
4. Connect the screw terminal wiring as required in your application. For protected installation wiring diagrams, see [Wiring with galvanic isolators \(page 18\)](#) and [Wiring with Zener barriers \(page 19\)](#).
  - a. Open the cable fastening clamps below the screw terminals and lead the cables to the terminals through the clamps.
  - b. Connect the wires to the screw terminals.



Note that Channel 1 (CH1) must always be wired. The transmitter receives power through the CH1 screw terminals, and does not power on if only Channel 2 (CH2) is wired.

- c. Adjust the length of the wires and close the cable fastening clamps so that they hold the cables in place.

**Optional:** For instructions on testing the analog output level with a multimeter, see [step 8](#).

5. Close the transmitter body cover and tighten the captive screws, and then attach the probe body to the transmitter.



It is sufficient to tighten the probe body to finger tightness with the locking wheel. To prevent detaching the probe body without tools, you can tighten the locking wheel further with an Allen key (5 mm).

6. Mount the probe head to the area you want to measure in.



HMT370EX Series probes are designed for a variety of applications with different installation requirements. For probe-specific installation instructions, see *HMT370EX User Guide*.

7. Connect the grounding terminal on the bottom of the transmitter to the grounding element of the installation site with a 4 mm<sup>2</sup> grounding wire. After grounding the transmitter, switch on the power supply input.



8. **Optional:** if you want to verify the output level of the analog output channels, test the connection as follows:
- Detach the probe body and open the transmitter cover.
  - Connect a multimeter to the mA testing points located above the output screw terminals on the transmitter component board (see illustration page 2 in the beginning of the document for the location of the terminals).



Always use an Ex compliant multimeter. The output parameters of the multimeter must be compatible with the input parameters of the transmitter.

- Start the output test mode either by using the transmitter display interface, or, if using a transmitter without a display, by connecting the transmitter to Insight PC software. For instructions on using the output test mode with the display interface and Insight PC software, see *HMT370EX User Guide*.
- After verifying the output, remove the multimeter, close the transmitter cover, and reattach the probe body.

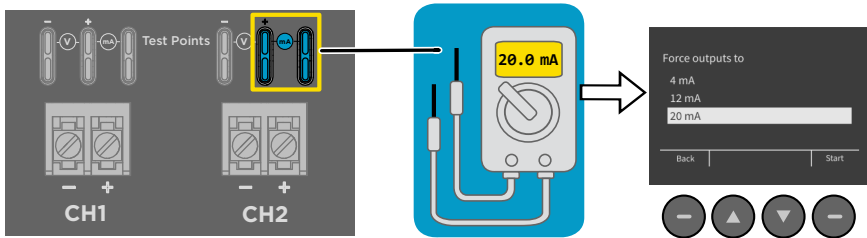


Figure 4 Multimeter test point overview



**CAUTION!** The service port (see [Figure 2 \(page 10\)](#)) must only be used in a safe area. Either remove the transmitter from the hazardous area or ensure that a safe work procedure has been implemented in the hazardous area. Only use the Vaisala accessory PC connection cable with the service port.

### 4.3 Wiring with galvanic isolators

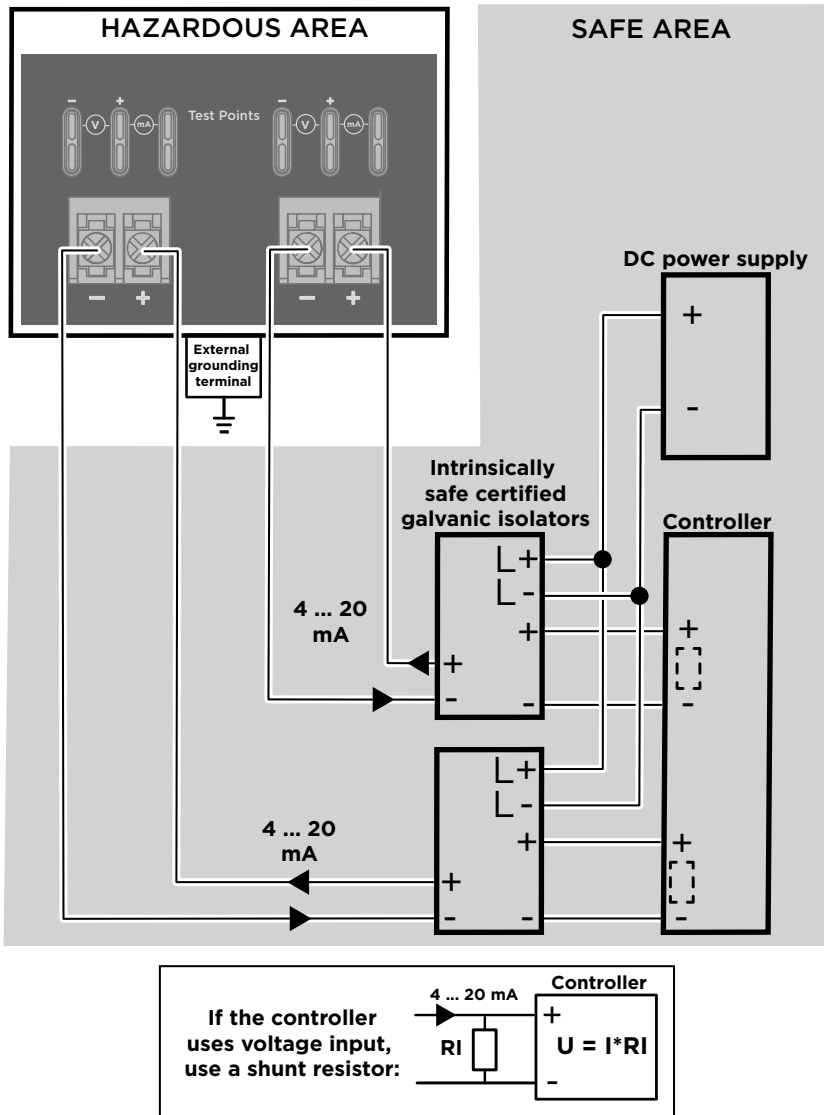


Figure 5 Wiring diagram with galvanic isolators

## 4.4 Wiring with Zener barriers

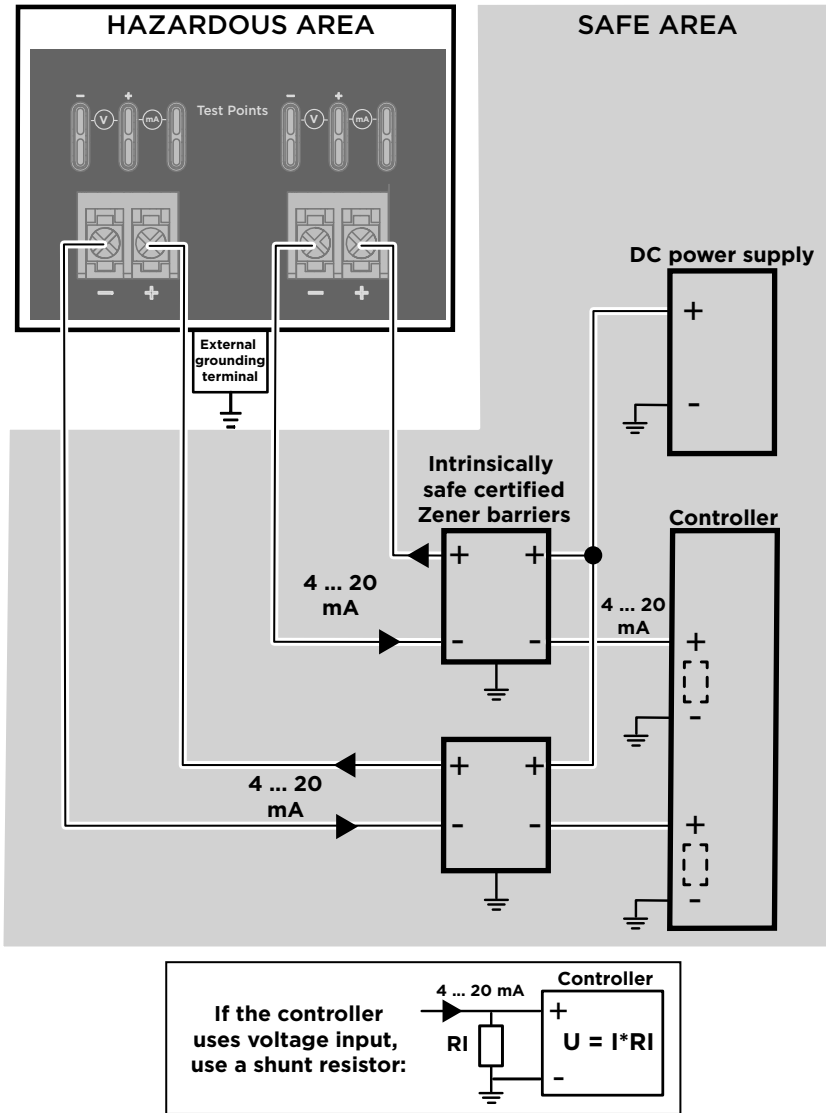


Figure 6 Wiring diagram with Zener barriers

## Maintenance and calibration services



Vaisala offers comprehensive customer care throughout the life cycle of our measurement instruments and systems. Our factory services are provided worldwide with fast deliveries. For more information, see [www.vaisala.com/calibration](http://www.vaisala.com/calibration).

- Vaisala Online Store at [store.vaisala.com](http://store.vaisala.com) is available for most countries. You can browse the offering by product model and order the right accessories, spare parts, or maintenance and calibration services.
- To contact your local maintenance and calibration expert, see [www.vaisala.com/contactus](http://www.vaisala.com/contactus).

## Warranty

For standard warranty terms and conditions, see [www.vaisala.com/warranty](http://www.vaisala.com/warranty).

Please observe that any such warranty may not be valid in case of damage due to normal wear and tear, exceptional operating conditions, negligent handling or installation, or unauthorized modifications. Please see the applicable supply contract or Conditions of Sale for details of the warranty for each product.

## Technical support



Contact Vaisala technical support at [helpdesk@vaisala.com](mailto:helpdesk@vaisala.com). Provide at least the following supporting information as applicable:

- Product name, model, and serial number
- Software/Firmware version
- Name and location of the installation site
- Name and contact information of a technical person who can provide further information on the problem

For more information, see [www.vaisala.com/support](http://www.vaisala.com/support).

## Recycling



Recycle all applicable material.



Follow the statutory regulations for disposing of the product and packaging.

# 1 Einführung zur Serie HMT370EX

Die Vaisala HUMICAP® Feuchte- und Temperaturmesswertgeber der Serie HMT370EX eignen sich besonders zur Feuchtemessung in Gefahrenbereichen. Der eigensichere und robuste HMT370EX arbeitet auch in stark explosionsgefährdeten Bereichen (z. B. Zone 0) sicher und zuverlässig. HMT370EX Messwertgeber der neuen Generation können in allen HMT360 Anwendungen als Ersatz für die Geräte der Messwertgeberbaureihe HMT360 verwendet werden.

Der HMT370EX kann direkt in explosionsgefährdete Bereiche eingebaut werden. Er ist für den dauerhaften Einsatz in explosionsgefährdeten Umgebungen geeignet, die entflammbare Gase oder Stäube enthalten. Für den Betrieb in solchen Umgebungen sind keine zusätzlichen Schutzgehäuse erforderlich.

Für den HMT370EX sind verschiedene Sonden für unterschiedliche Anwendungen erhältlich. Dank des abnehmbaren Sondenmoduls lassen sich die Sonden einfach austauschen und außerhalb des Gefahrenbereichs kalibrieren, ohne den Messwertgeber vollständig ausbauen zu müssen.

Der Messwertgeber verfügt über 2 analoge Stromausgangskanäle (4 ... 20 mA), die über Sicherheitsbarrieren angeschlossen werden. Sonde und Messwertgebergehäuse können zur Konfiguration zusammen als Einheit oder separat mit der Software Vaisala Insight PC verbunden werden, die den benutzerfreundlichen Zugriff auf Konfigurations-, Diagnose-, Kalibrier- und Justierfunktionen ermöglicht.

## 1.1 Grundlegende Merkmale und Optionen

- Verfügbare Messgrößen: Relative Feuchte (rF) und Temperatur (T)
  - Berechnete Messgrößen:<sup>1)</sup> Taupunkttemperatur, Feuchttemperatur, absolute Feuchte, Mischungsverhältnis, Wasserkonzentration, Wassermassenanteil, Wasserdampfdruck, Enthalpie und Feuchtegehalt in Öl/Kraftstoff mit Spezialmodellen
- Ex-Klassifizierung: IECEx- und ATEX-zertifiziert für Umgebungen der Zonen 0 und 20: vollständige Ex-Klassifizierungen siehe [Tabelle 6 \(Seite 22\)](#).
- 2 Analogausgänge (4 ... 20 mA, skalierbar, isoliert)
- Displayoptionen: Grafisches LC-Display oder Modell ohne Display
- Versorgungsspannungsbereich: 12 ... 28 V
- Kompatibel mit der PC-Software Vaisala Insight

## 1.2 Weitere Informationen

Weitere Informationen zu Verwendung, Konfiguration und Wartung des Messwertgebers nach dem Einbau enthält das *HMT370EX User Guide* (verfügbar unter [www.vaisala.com/HMT370EX](http://www.vaisala.com/HMT370EX)).

1) *Zusätzlich verfügbare berechnete Größen: siehe Produktinformationen unter [vaisala.com](http://vaisala.com)*

## 2 Verwenden von Messwertgebern der Serie HMT370EX in Gefahrenbereichen



**WARNUNG** In Gefahrenbereichen muss eine geschützte Installation mit Ex-i-Trennstufen oder Sicherheitsbarrieren erfolgen.

Schließen Sie die Messwertgeber in Gefahrenbereichen immer über Ex-i-Trennstufen oder Sicherheitsbarrieren an. Eine Ex-i-Trennstufe oder Sicherheitsbarriere muss auch verwendet werden, wenn sich Messwertgeber und Sondenkörper in einem sicheren Bereich befinden, der Sondenkopf jedoch in einen Gefahrenbereich eingebaut wird. Informationen zur Verdrahtung enthalten die Schaltpläne in diesem Dokument zu Ex-i-Trennstufen und Sicherheitsbarrieren.

Der HMT370EX enthält keine Ex-i-Trennstufe und keine Sicherheitsbarriere. Diese Komponenten können als optionales Zubehör bei Vaisala bestellt werden.



**WARNUNG** Messwertgeber der Serie HMT370EX wurden für den Einsatz in Gefahrenbereichen (gemäß Produktklassifizierung) entwickelt. Das für Einbau, Nutzung und Wartung der HMT370EX Messwertgeber zuständige Personal ist für die Einhaltung der erforderlichen Sicherheitsvorkehrungen im jeweiligen Anwendungsbereich des HMT370EX verantwortlich und muss sicherstellen, dass die Gefahrenbereichsklassifizierung des Geräts der betreffenden Anwendung entspricht.



**WARNUNG** Wenn die Ausrüstung in einer von Vaisala nicht aufgeführten Weise verwendet wird, ist der ausrüstungsseitige Schutz möglicherweise beeinträchtigt.

Messwertgeber der Serie HMT370EX sind gemäß den folgenden Klassifizierungen für den Einsatz in Gefahrenbereichen zertifiziert:

Tabelle 6 Gefahrenbereichsklassifizierungen für Serie HMT370EX

Zertifizierung	HMT370EX Klassifizierung
IECEX <sup>1)</sup> /ATEX <sup>2)</sup>	II 1 G Ex ia IIC T4 Ga II 1 D Ex ia IIIC T <sub>200</sub> 85 °C Da -40 °C ≤ T <sub>amb</sub> ≤ +60 °C

1) Internationale Zertifizierung

2) EU-Zertifizierung



**ACHTUNG** Das für Einbau, Verwendung und Wartung der HMT370EX Messwertgeber zuständige Personal muss gemäß den einschlägigen Normen und Vorschriften für die Arbeit in Gefahrenbereichen qualifiziert sein.

Informationen zu den einschlägigen Normen und Vorschriften für die Verwendung der Serie HMT370EX basierend auf ihrer Klassifizierung enthalten die HMT370EX Zertifizierungsdokumente sowie die Konformitätserklärungen zur Serie HMT370EX unter [www.vaisala.com/declarationofconformity](http://www.vaisala.com/declarationofconformity).

## 2.1 Leitlinien für die sichere Nutzung unter gefährlichen Bedingungen

### Teileübersicht für Serie HMT370EX

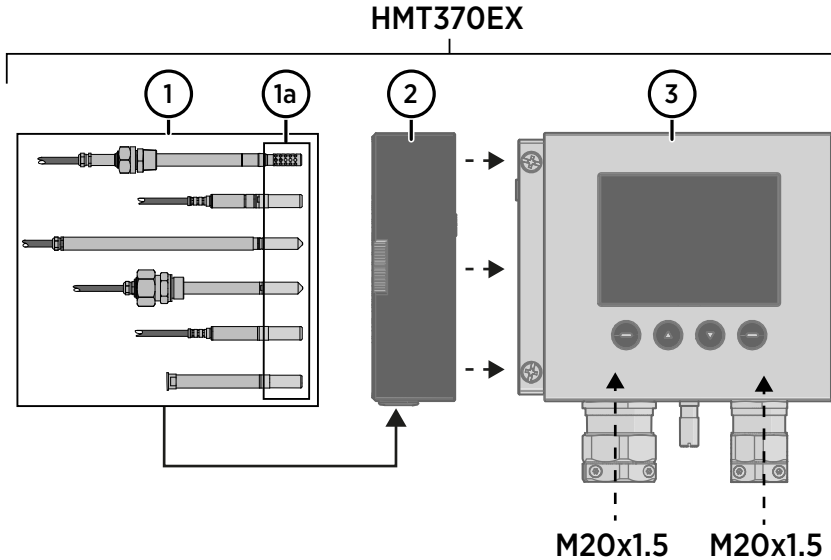


Abbildung 7 HMT370EX Teileübersicht

Messwertgeber der Serie HMT370EX bestehen im Wesentlichen aus 3 Komponenten: Messwertgebergehäuse, abnehmbarer Sondenkörper und an diesem angebrachter Sondenkopf (direkt oder über ein Kabel). [Abbildung 7 \(Seite 24\)](#) zeigt die Hauptkomponenten.

- 1 Sondenköpfe (Variantenbeschreibungen siehe [HMT370EX User Guide](#))
- 1a Sondenkopffilter
- 2 Sondenkörper
- 3 Messwertgebergehäuse

Die verschiedenen Sondenkopfvarianten wurden mit jeweils eigenen Spezifikationen für unterschiedliche Anwendungen entwickelt. Achten Sie darauf, Messwertgebergehäuse, Sondenkörper und Sondenkopf jeweils in für die Komponente geeigneten Umgebungen einzusetzen. Zulässige Umgebungstemperaturbereiche siehe [Tabelle 7 \(Seite 25\)](#).



Tabelle 7 Zulässige Umgebungstemperaturbereiche

Komponente	Zulässiger Umgebungstemperaturbereich
Messwertgebergehäuse	-40 °C ... +60 °C
Sondenkörper	-40 °C ... +60 °C
Sondenkopf HMP371	Temperaturklasse T4: -40 °C ... +60 °C
Sondenkopf HMP373	<b>Gummikabelversion:</b> Temperaturklasse T6: -40 °C ... +55 °C Temperaturklasse T5: -40 °C ... +80 °C <b>FEP-Kabelversion:</b> Temperaturklasse T6: -40 °C ... +55 °C Temperaturklasse T5: -40 °C ... +100 °C Temperaturklasse T4: -40 °C ... +120 °C
Sondenköpfe HMP374, HMP375, HMP377, HMP378, HMP378F und HMP378H	Temperaturklasse T6: -70 °C ... +55 °C Temperaturklasse T5: -70 °C ... +100 °C Temperaturklasse T4: -70 °C ... +135 °C Temperaturklasse T3: -70 °C ... +180 °C

DEUTSCH

## 2.1.1 Spezifische Nutzungsbedingungen



**ACHTUNG** Bei Installation des Geräts in einem Bereich der Zone 0, Gerätegruppe II muss sichergestellt werden, dass es nicht aufgrund von Aufschlägen oder Reibung zu Funkenbildung kommt.

### Anforderungen an die Verdrahtung

- Die Kabelverschraubungen und Anschlusskabel für die Sonde dürfen den Ex-Schutz nicht beeinträchtigen.
  - Ungenutzte Kabeldurchführungen müssen mit Ex-konformen Stopfen verschlossen werden.
- Wählen Sie eine für die Anwendung geeignete Zugentlastung (entweder eine mit Zugentlastung ausgeführte Kabeldurchführung oder separate Schellen: siehe IEC 60079-14).



**ACHTUNG** Schließen Sie nur spannungsfreie Kabel an. Schalten Sie die Spannungsversorgung niemals ein, bevor die Verdrahtung fertiggestellt und das Messwertgebergehäuse geschlossen wurde.

### Eigensicherheit

HMT370EX Messwertgeber entsprechen der Überspannungskategorie I (nicht mit dem Stromnetz verbundene Komponente) und Verschmutzungsgrad 4 gemäß IEC 60664-1. Zu den Parametern für eigensichere Eingänge siehe [Tabelle 8 \(Seite 26\)](#).

Tabelle 8 Parameter für eigensichere Eingänge

Messgröße	Wert	Elektrische Daten der Versorgungsstromkreise
$U_i$	28 VDC	$U_o \leq U_i$
$I_i$	100 mA	$I_o \leq I_i$
$P_i$	700 mW	$P_o \leq P_i$
$C_i$	12,1 nF	$C_o \geq C_i + C_{\text{Kabel}}$
$L_i$	16 $\mu$ H	$L_o \geq L_i + L_{\text{Kabel}}$

### Verwenden der Analogausgangstestpunkte

Über jedem Schraubklemmenblock befinden sich Testpunkte zum Messen der Spannungen und Ströme der Analogausgänge, siehe [Abbildung 8 \(Seite 27\)](#). Um an die Testpunkte auf der Platine zu gelangen, müssen Sie das Messwertgebergehäuse öffnen.

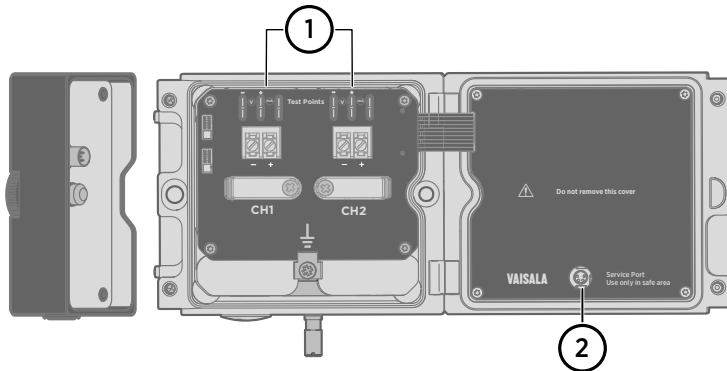


Abbildung 8 Position der Testpunkte und der Serviceschnittstelle

- 1 Multimetertestpunkte für Analogausgangskanäle 1 und 2
- 2 Serviceschnittstelle für PC-Verbindung



**ACHTUNG** Das Messwertgebergehäuse darf nicht in einem explosionsgefährdeten Bereich geöffnet werden, sofern keine Genehmigung zur Ausführung gefährlicher Arbeiten gemäß der Norm IEC 60079-14 ausgestellt wurde. Bauen Sie entweder den Messwertgeber aus dem Gefahrenbereich aus, bevor Sie das Gehäuse öffnen, oder stellen Sie sicher, dass im Gefahrenbereich ein IEC-60079-14-konformes sicheres Arbeitsverfahren implementiert wurde.

Verwenden Sie ein eigensicheres Multimeter, das keinesfalls zu einer Überschreitung der in [Tabelle 8 \(Seite 26\)](#) angegebenen Parameter für eigensichere Eingänge führt, wenn es in Reihe (Strommessung) oder parallel (Spannungsmessung) mit dem betreffenden Gerät verbunden wird.

#### Verwenden der Serviceschnittstelle

Die Serviceschnittstelle (siehe [Abbildung 8 \(Seite 27\)](#)) darf nur in einem sicheren Bereich genutzt werden. Bauen Sie entweder den Messwertgeber aus dem Gefahrenbereich aus oder stellen Sie sicher, dass im Gefahrenbereich ein sicheres Arbeitsverfahren umgesetzt wurde. Verwenden Sie ausschließlich das PC-Verbindungskabel von Vaisala an der Serviceschnittstelle.

#### Wartung

Die Sonde (einschließlich Sondenkörper und -kopf) kann vom Benutzer abgenommen und ausgetauscht werden. Der Sondenkopffilter (siehe [Abbildung 7 \(Seite 24\)](#)) kann ebenfalls vom Benutzer ausgetauscht werden. Wenden Sie sich bei anderem Wartungsbedarf an Vaisala.



**ACHTUNG** Die Sonde kann abgenommen und gewechselt werden, während Spannung am HMT370EX anliegt. Andere Wartungsarbeiten, einschließlich des Wechsels des Sondenkopffilters, sind nicht zulässig, während Spannung anliegt.

Der Inhalt dieses Kapitels wird im folgenden, separat verwalteten Dokument gepflegt:

Dokument-ID: M212506EN

Version: D (11. Okt. 2021)

## 3 HMT370EX Komponenten

### Externe Komponenten



Die Beschriftungen A ... J verweisen auf die Abbildung der externen Komponenten auf Seite 1. Die Beschriftungen 1 ... 7 verweisen auf die Abbildung der internen Komponenten auf Seite 2.

Tabelle 9 Externe Komponenten

Komponente	Beschreibung
A	Sondenkopf (zu den HMP370EX Sondenkopfvarianten siehe <i>HMT370EX User Guide</i> )
B	Abnehmbarer Sondenkörper
C	Messwertgebergehäuse (siehe Tabelle <i>Interne Komponenten</i> )
D	LC-Display (im optionalen Modell mit Display)
E	Menüschnittflächen auf dem Display (nur Modell mit Display)
F	Wandauflagen (4 Stück)
G	Montageplatte (optional)
H	Fixiergerät für Sondenkörper
I	Erdungsklemme
J	Durchführungen für die Verkabelung (Kabelverschraubungen und Kabelkanäle siehe <i>HMT370EX User Guide</i> )

### Interne Komponenten

Tabelle 10 Interne Komponenten

Komponente	Beschreibung
1	Bohrungen für Befestigungsschrauben
2	Zugentlastungsklemmen
3	Erdungsklemme des Messwertgebers
4	Messwertgeber-Serviceschnittstelle (M8, Vaisala USB-Verbindungskabel erforderlich)
5	Sondenkörper-Serviceschnittstelle (M12, Vaisala USB-Verbindungskabel erforderlich)

Komponente	Beschreibung
6	Multimeter testpunkte für Analogausgangskanäle 1 und 2 für Strom und Spannung
7	Schraubklemmen zur Verdrahtung der Analogausgangskanäle 1 und 2

## 4 Installation und Verdrahtung



**WARNUNG** Sie müssen die Installation in einem sicheren Bereich durchführen oder sicherstellen, dass im Gefahrenbereich ein IEC-60079-14-konformes sicheres Arbeitsverfahren implementiert wurde.



**WARNUNG** Wenn Spannung am HMT370EX anliegt, darf das Messwertgebergewehäuse in einem Gefahrenbereich nicht geöffnet werden. Die Sonde kann abgenommen und gewechselt werden, während Spannung am HMT370EX anliegt. Andere Wartungsarbeiten, einschließlich des Wechsels des Sondenkopffilters, sind nicht zulässig, während Spannung anliegt.

### 4.1 Einbauvorbereitungen

Prüfen Sie vor Beginn des Einbaus Folgendes:

- Der Einbauort muss der Ex-Klassifizierung des Messwertgebers entsprechen: siehe [Tabelle 6 \(Seite 22\)](#).
- Beachten Sie die Gefahrenbereichsinformationen unter [Leitlinien für die sichere Nutzung unter gefährlichen Bedingungen \(Seite 24\)](#) mit den Ex-Sicherheitsanforderungen für den HMT370EX und spezifischen Nutzungsbedingungen.
- Die in diesem Dokument enthaltenen Schaltpläne zeigen die Verdrahtung mit einer Ex-i-Trennstufe oder einer Sicherheitsbarriere.
  - [Verdrahtung mit Ex-i-Trennstufen \(Seite 36\)](#)
  - [Verdrahtung mit Sicherheitsbarrieren \(Seite 37\)](#)
- Achten Sie bei Auswahl der Kabelverschraubungen und Stopfen für die Anwendung darauf, dass diese Ex-konform sind. Die Verschraubungen und Stopfen müssen wasser- und staubdicht sein.

#### Verdrahtungsinformationen



**WARNUNG** In Gefahrenbereichen muss eine geschützte Installation mit Ex-i-Trennstufen oder Sicherheitsbarrieren erfolgen.



**ACHTUNG** Beachten Sie bei der Planung der Verdrahtung einer Anwendung, dass Kanal 1 (CH1) immer angeschlossen werden muss. Der Messwertgeber wird nur über die Schraubklemmen von Kanal 1 mit Spannung versorgt und nicht aktiviert, wenn nur Kanal 2 (CH2) angeschlossen ist.



**ACHTUNG** Stellen Sie sicher, dass der Messwertgeber richtig mit Spannung versorgt wird. 12 VDC ist die Mindest-Versorgungsspannung unter allen Bedingungen, gemessen an den Schraubklemmen des Messwertgebers. Liegt die Versorgungsspannung unter 12 VDC, kann der Strom an den Analogausgängen falsch sein.



Es wird empfohlen, an den abisolierten Drähten Aderendhülsen zu verwenden, um für eine sichere Verbindung mit den Schraubklemmen zu sorgen.

### Auswahl der Durchführung und Standardstopfen

Der HMT370EX wird mit zwei Stopfen unterschiedlicher Ausführung für die Kabeldurchführungen geliefert, siehe [Abbildung 9 \(Seite 32\)](#).

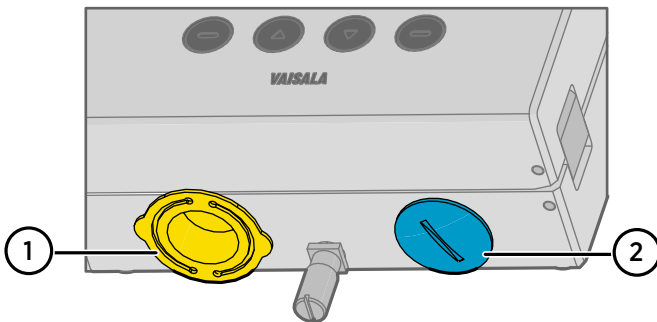


Abbildung 9 Standardstopfen in HMT370EX Durchführungen

- 1 Abnehmbare Kunststoffabdeckung für Transporte: muss ausgetauscht werden (Seiten der Transportabdeckung zusammenfallen und herausziehen)
- 2 Dichtstopfen aus Metall: kann in der endgültigen Installation verwendet werden

Die Kunststoffabdeckung für Transporte (**1**) muss bei der Verdrahtung des HMT370EX immer durch eine Ex-konforme Kabelverschraubung, einen entsprechenden Kabelkanal oder eine Dichtung ersetzt werden. Der Dichtstopfen aus Metall (**2**) kann an Ort und Stelle bleiben und in der endgültigen Installation verwendet werden, wenn die rechte Durchführung nicht genutzt wird. Kabelverschraubungen und Kabelkanäle siehe *HMT370EX User Guide*.



## 4.2 Installieren des HMT370EX



- Schrauben zum Befestigen des Messwertgebers:
  - Installation direkt durch das Messwertgebergehäuse: 2 Schrauben, Ø 5,5 mm
  - Installation mit optionaler Montageplatte: 4 Schrauben, Ø 5,5 mm, und 2 M6-Innensechskantschrauben
- Kreuzschlitzschraubendreher für die unverlierbaren Schrauben der Messwertgeberabdeckung und für die Schraubklemmen
- Schlitzschraubendreher für die Erdungsklemme
- Kabelverschraubungen, Kabelkanäle und Stopfen gemäß Anwendungserfordernissen sowie geeignete Werkzeuge zum Anbringen und Festziehen
- Seitenschneider

### Optional:

- Crimpzange und Aderendhülsen
- Inbusschlüssel (5 mm) für das Fixierrad für den Sondenkörper
- Ex-konformes Multimeter zum Testen von Analogausgängen



Die Schritte 1 ... 7 beziehen sich auf die Abbildungen 1 ... 7 auf den Seiten **3** und **4**.

- ▶ 1. Wählen Sie eine Oberfläche (z. B. eine Wand) für die Installation des Messwertgebers. Sie können den Messwertgeber mit 2 Schrauben direkt an der Installationsfläche befestigen oder eine optionale Montageplatte verwenden, an die der Messwertgeber geschraubt wird.
  - a. Installation ohne Montageplatte: Befestigen Sie das Messwertgebergehäuse mit 2 Schrauben (Ø 5,5 mm) direkt an der Installationsfläche. Das linke Schraubenloch ist vertikal vergrößert, um die Justage des Messwertgebers nach dem Einbauen der rechten Schraube zu ermöglichen.
  - b. Installation mit Montageplatte: Befestigen Sie die Montageplatte mit 4 Schrauben (Ø 5,5 mm) an der Installationsfläche und dann den Messwertgeber mit 2 M6-Innensechskantschrauben an der Montageplatte.
2. Befestigen Sie die Kabelverschraubungen (1 oder 2) gemäß den Anwendungserfordernissen an den Kabeldurchführungen. Beachten Sie die Kabelverschraubungsanforderungen unter [Spezifische Nutzungsbedingungen \(Seite 25\)](#).
  - Beide Durchführungen haben Gewinde des Typs M20 × 1,5.
  - Verschließen Sie nicht genutzte Durchführungen mit Ex-konformen Dichtungen.
  - Die Verschraubungen und Stopfen müssen wasser- und staubdicht sein.

3. Bereiten Sie die für die Anwendung erforderlichen Kabel vor (Verkabelung durch 1 oder 2 Durchführungen).
  - a. Isolieren Sie die Adern ab. An den Aderenden sollten Aderendhülsen angebracht werden.
  - b. Öffnen Sie die Kabelverschraubung und führen Sie ausreichend Kabellänge durch die Kabelverschraubung in den Messwertgeber ein.
  - c. Ziehen Sie die Kabelverschraubung fest: Beachten Sie die Anleitung zur verwendeten Kabeldurchführung, um für maximale Dichtheit zu sorgen.
  - d. Wenn nicht beide Durchführungen für die Installation benötigt werden, verschließen Sie die nicht genutzte Durchführung mit einer Ex-konformen Dichtung.
4. Schließen Sie die Adern gemäß Anwendungserfordernissen an die Schraubklemmen an. Schaltpläne für eine geschützte Installation siehe [Verdrahtung mit Ex-i-Trennstufen \(Seite 36\)](#) und [Verdrahtung mit Sicherheitsbarrieren \(Seite 37\)](#).
  - a. Öffnen Sie die Zugentlastungsklemmen unter den Schraubklemmen und führen Sie die Kabel durch die Zugentlastungsklemmen zu den Schraubklemmen.
  - b. Schließen Sie die Adern an die Schraubklemmen an.



Beachten Sie, dass Kanal 1 (CH1) immer angeschlossen sein muss. Der Messwertgeber wird über die CH1-Schraubklemmen mit Spannung versorgt und nicht aktiviert, wenn nur Kanal 2 (CH2) angeschlossen ist.

- c. Korrigieren Sie ggf. den Überstand der Drähte und ziehen Sie die Zugentlastungsklemmen fest, um die Drähte zu fixieren.

**Optional:** Anweisungen zum Testen der Analogausgänge mit einem Multimeter siehe [Schritt 8](#).

5. Schließen Sie die Abdeckung des Messwertgebergehäuses, ziehen Sie die unverlierbaren Schrauben fest und bringen Sie den Sondenkörper am Messwertgeber an.



Zum Fixieren des Sondenkörpers reicht das handfeste Anziehen des Fixierads aus. Um das Abnehmen des Sondenkörpers ohne Werkzeug zu verhindern, können Sie das Feststellrad mit einem Innensechskantschlüssel (5 mm) weiter anziehen.

6. Montieren Sie den Sondenkopf in dem Bereich, in dem gemessen werden soll.



Die Sonden der Serie HMT370EX sind für eine Vielzahl von Anwendungen mit unterschiedlichen Installationsanforderungen ausgelegt. Sondenspezifische Installationsanleitungen siehe *HMT370EX User Guide*.

7. Verbinden Sie die Erdungsklemme unten am Messwertgeber über ein Erdungskabel mit 4 mm<sup>2</sup> mit der Erdung am Installationsort. Schalten Sie die Spannungsversorgung des Messwertgebers nach dem Herstellen der Erdung ein.

8. **Optional:** Wenn Sie den Strom der Analogausgangskanäle verifizieren möchten, testen Sie die Verbindung wie folgt:
- Nehmen Sie den Sondenkörper ab und öffnen Sie die Messwertgeberabdeckung.
  - Verbinden Sie ein Multimeter mit den mA-Testpunkten über den Ausgangsschraubenklemmen auf der Platine des Messwertgebers (die Position der Klemmen ist der Abbildung auf Seite 2 zu entnehmen).



Verwenden Sie immer ein Ex-konformes Multimeter. Der Messbereich des Multimeters muss mit dem Signalstrom des Messwertgebers übereinstimmen.

- Starten Sie den Ausgangstestmodus entweder über das Display des Messwertgebers oder – bei einem Messwertgeber ohne Display – durch Verbinden des Messwertgebers mit der PC-Software Insight. Anleitungen zur Verwendung des Ausgangstestmodus mit der Benutzeroberfläche auf dem Display und der PC-Software Insight siehe *HMT370EX User Guide*.
- Trennen Sie das Multimeter nach dem Verifizieren des Ausgangs, schließen Sie die Messwertgeberabdeckung und bringen Sie den Sondenkörper wieder an.

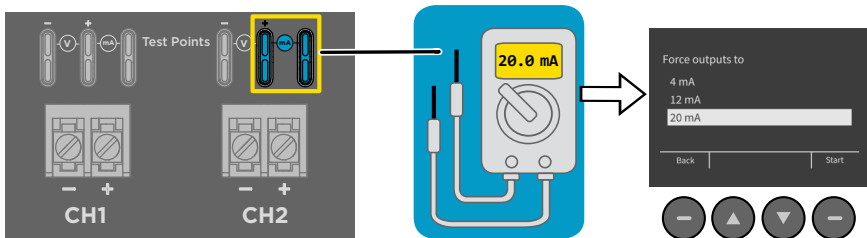


Abbildung 10 Übersicht zu Multimetertestpunkten



**ACHTUNG** Die Serviceschnittstelle (siehe [Abbildung 8 \(Seite 27\)](#)) darf nur in einem sicheren Bereich genutzt werden. Bauen Sie entweder den Messwertgeber aus dem Gefahrenbereich aus oder stellen Sie sicher, dass im Gefahrenbereich ein sicheres Arbeitsverfahren umgesetzt wurde. Verwenden Sie ausschließlich das PC-Verbindungskabel von Vaisala an der Serviceschnittstelle.

### 4.3 Verdrahtung mit Ex-i-Trennstufen

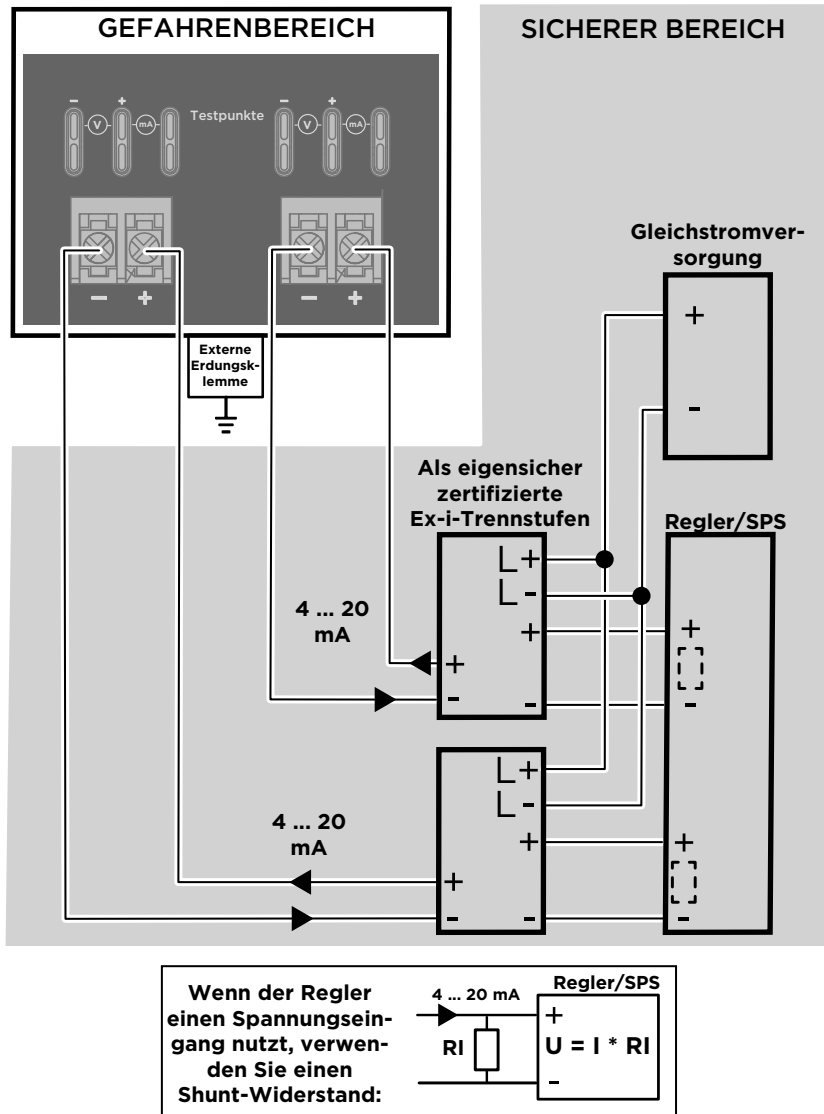
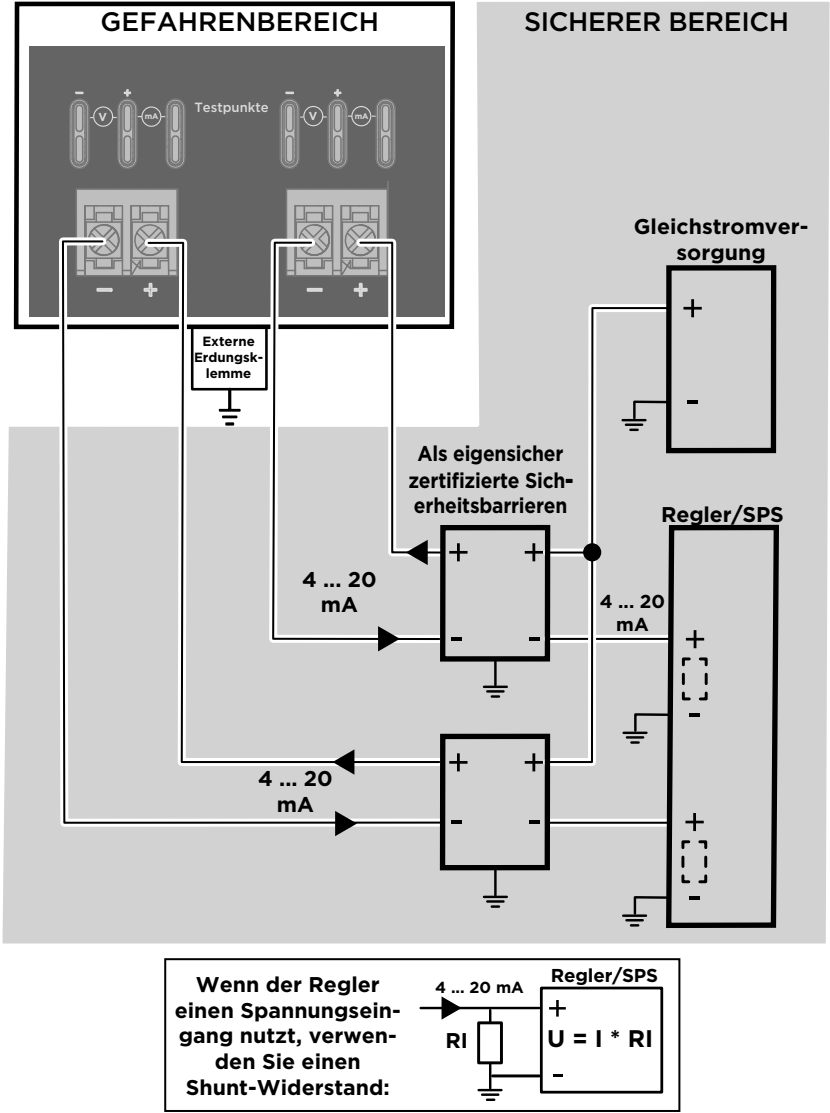


Abbildung 11 Schaltplan mit Ex-i-Trennstufen

### 4.4 Verdrahtung mit Sicherheitsbarrieren



DEUTSCH

Abbildung 12 Schaltplan mit Sicherheitsbarrieren

## Wartung und Kalibrierung



Vaisala bietet umfassenden Kundenservice über die gesamte Lebensdauer unserer Messgeräte und -systeme an. Unsere Serviceleistungen stehen weltweit mit schnellen Lieferzeiten zur Verfügung. Weitere Informationen finden Sie unter [www.vaisala.com/calibration](http://www.vaisala.com/calibration).

- Der Vaisala Online Store unter [store.vaisala.com](http://store.vaisala.com) kann in den meisten Ländern genutzt werden. Sie können das Angebot über das Produktmodell durchsuchen und benötigte Zubehörkomponenten und Ersatzteile sowie Wartungs- und Kalibrierservices bestellen.
- Die Kontaktdaten des regionalen Wartungs- und Kalibrierteams finden Sie unter [www.vaisala.com/contactus](http://www.vaisala.com/contactus).

## Gewährleistung

Unsere Standardgewährleistungsbedingungen finden Sie unter [www.vaisala.com/warranty](http://www.vaisala.com/warranty).

Die Gewährleistung deckt keine Verschleißschäden, Schäden infolge außergewöhnlicher Betriebsbedingungen, Schäden infolge unzulässiger Verwendung oder Montage oder Schäden infolge nicht genehmigter Modifikationen ab. Einzelheiten zum Gewährleistungsumfang für bestimmte Produkte enthalten der zugehörige Liefervertrag und die Verkaufsbedingungen.

## Technischer Support



Wenden Sie sich unter [helpdesk@vaisala.com](mailto:helpdesk@vaisala.com) an den technischen Support von Vaisala. Geben Sie mindestens folgende Informationen an (sofern relevant):

- Produktname, Modell und Seriennummer
- Software-/Firmwareversion
- Name und Standort der Installation
- Name und Kontaktinformationen eines Technikers für weitere Auskünfte

Weitere Informationen finden Sie unter [www.vaisala.com/support](http://www.vaisala.com/support).

## Recycling



Recyceln Sie alle wiederverwertbaren Materialien.



Beachten Sie bei der Entsorgung von Produkten und Verpackung die gesetzlichen Regelungen.

# 1 Présentation de la série HMT370EX

Les transmetteurs d'humidité et de température à sécurité intrinsèque de la série Vaisala HUMICAP® HMT370EX constituent la solution idéale pour mesurer l'humidité dans des zones dangereuses. Intrinsèquement sûrs et robustes, les transmetteurs de la série HMT370EX fonctionnent de manière sécurisée et fiable même dans les zones les plus dangereuses, telles que la zone 0. Les transmetteurs de la série HMT370EX peuvent être utilisés en remplacement des transmetteurs plus anciens de la série HMT360 dans tous ses cas d'application.

Le transmetteur HMT370EX peut être installé directement dans des zones explosives. Il peut résister à une exposition continue à des environnements potentiellement explosifs contenant des gaz et de la poussière inflammables, et il ne nécessite aucun boîtier de protection supplémentaire pour fonctionner dans des environnements gazeux ou poussiéreux.

Le transmetteur HMT370EX propose diverses options de sonde pour différentes applications. Grâce au module sonde amovible, il est aisé de retirer et de remplacer les sondes pour les étalonner en dehors de la zone dangereuse, sans avoir à déposer le transmetteur entier.

Le transmetteur dispose de 2 canaux de sortie analogique (4 à 20 mA) pour un raccordement via des barrières de sécurité. Pour un accès facile aux fonctionnalités de configuration, de diagnostic, d'étalonnage et de réglage, la sonde et le corps du transmetteur peuvent être connectés au logiciel Vaisala Insight pour PC afin d'être configurés ensemble, en tant qu'unité individuelle, ou séparément.

## 1.1 Caractéristiques de base et options

- Paramètres de mesure disponibles : humidité relative (HR) et température (T)
  - Les paramètres de mesure calculés comprennent <sup>1)</sup> : température du point de rosée, température du thermomètre mouillé, humidité absolue, rapport de mélange, concentration de l'eau, fraction massique d'eau, pression de vapeur d'eau, enthalpie et humidité de l'huile/des combustibles avec modèles spéciaux
- Classification Ex : Certifié IECEx et ATEX pour une utilisation dans des environnements de zone 0 et de zone 20 : pour les classifications Ex complètes, voir [Tableau 11 \(page 40\)](#).
- 2 sorties analogiques (4 ... 20 mA, évolutives, isolées)
- Options d'affichage : écran graphique LCD ou modèle sans écran
- Alimentation électrique : 12 ... 28 V
- Compatible avec le logiciel Vaisala Insight pour PC

## 1.2 Plus d'informations

Pour plus d'informations sur l'utilisation, la configuration et la maintenance du transmetteur après son installation, reportez-vous au *HMT370EX User Guide* (disponible à l'adresse [www.vaisala.com/HMT370EX](http://www.vaisala.com/HMT370EX)).

1) *Paramètres calculés supplémentaires disponibles : voir les informations sur le produit, sur le site [vaisala.com](http://vaisala.com)*

## 2 Utilisation des transmetteurs de la série HMT370EX dans les zones dangereuses



**AVERTISSEMENT** Une installation protégée à l'aide d'isolateurs galvaniques ou de barrières Zener est obligatoire dans un environnement dangereux.

Dans des environnements dangereux, raccordez toujours les transmetteurs via des isolateurs galvaniques ou des barrières Zener. Un isolateur galvanique ou une barrière Zener doivent également être utilisés quand le transmetteur et le corps de sonde se trouvent dans une zone sans danger, mais que la tête de sonde est installée dans un environnement dangereux. Pour des informations sur le câblage, reportez-vous aux schémas de câblage des isolateurs galvaniques et des barrières Zener inclus dans ce document.

Le HMT370EX ne comprend pas d'isolateur galvanique ni de barrière Zener. Ils peuvent être commandés en tant qu'accessoires optionnels auprès de Vaisala.



**AVERTISSEMENT** Les transmetteurs de la série HMT370EX ont été conçus pour être utilisés dans des emplacements dangereux, conformément à la classification du produit. Il incombe au personnel chargé de l'installation, de l'utilisation ou de la maintenance des transmetteurs HMT370EX de déterminer la protection appropriée en fonction de l'application spécifique dans laquelle le transmetteur est utilisé et de vérifier que la classification de zone dangereuse de l'appareil répond aux exigences de cette application.



**AVERTISSEMENT** Si l'équipement est utilisé d'une manière non indiquée par Vaisala, la protection assurée par l'équipement peut en être affectée.

Les transmetteurs de la série HMT370EX sont certifiés pour une utilisation dans des zones dangereuses telles que définies par les classifications suivantes :

Tableau 11 Classifications des zones dangereuses de la série HMT370EX

Certification	Classification des transmetteurs HMT370EX
IECEX <sup>1)</sup> / ATEX <sup>2)</sup>	II 1 G Ex ia IIC T4 Ga II 1 D Ex ia IIIC T <sub>200</sub> 85 °C Da -40 °C ≤ T <sub>amb</sub> ≤ +60 °C

1) Certification internationale

2) Certification UE





**ATTENTION** Le personnel chargé de l'installation, de l'exploitation et de la maintenance des transmetteurs de la série HMT370EX doit posséder les compétences requises pour travailler en zones dangereuses, telles que définies par les normes en vigueur.

Pour plus d'informations sur les normes applicables à l'utilisation de la série HMT370EX en fonction de la classification de l'appareil, consultez la documentation de certification HMT370EX et les déclarations de conformité relatives à la série HMT370EX à l'adresse [www.vaisala.com/fr/declarationofconformity](http://www.vaisala.com/fr/declarationofconformity).

## 2.1 Directives pour une utilisation sécurisée dans des conditions dangereuses

### Présentation des composants des transmetteurs de la série HMT370EX

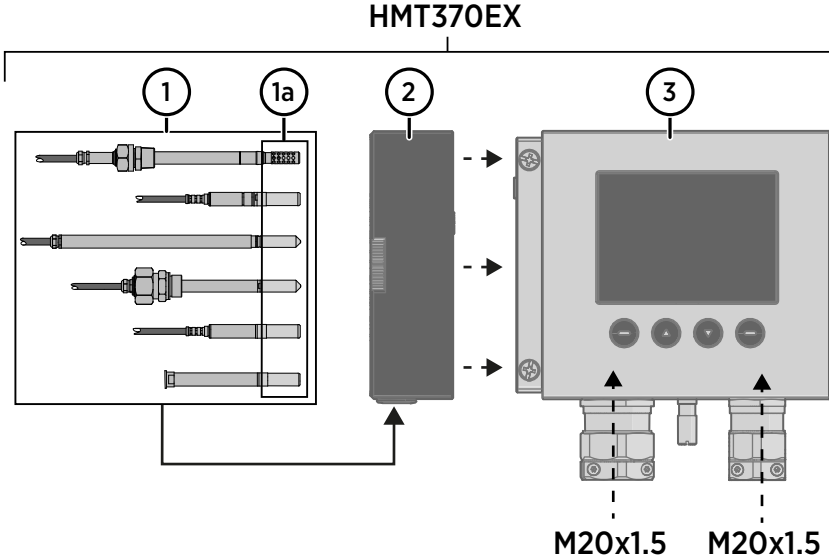


Figure 13 Présentation des composants du transmetteur HMT370EX

Les transmetteurs de la série HMT370EX comportent 3 parties principales : le corps du transmetteur, un corps de sonde amovible et une tête de sonde reliée au corps de sonde, soit directement, soit à l'aide d'un câble. Figure 13 (page 42) montre les parties principales.

- 1 Têtes de sonde (pour une description des variantes, voir le *HMT370EX User Guide*)
- 1a Filtres de tête de sonde
- 2 Corps de sonde
- 3 Corps du transmetteur

Les différentes variantes de tête de sonde sont conçues pour toute une palette d'applications et possèdent leurs propres spécifications. Assurez-vous que le corps du transmetteur, le corps de sonde et la tête de sonde sont tous placés dans un environnement qui correspond aux spécifications du composant. Pour les plages des températures ambiantes autorisées, consultez le [Tableau 12 \(page 43\)](#).

Tableau 12 Plages des températures ambiantes autorisées

Composant matériel	Plage des températures ambiantes autorisées
Corps du transmetteur	-40 °C ... +60 °C
Corps de sonde	-40 °C ... +60 °C
Tête de sonde HMP371	Classe de température T4 : -40 °C ... +60 °C
Tête de sonde HMP373	<b>Versión avec câble en caoutchouc :</b> Classe de température T6 : -40 °C ... +55 °C Classe de température T5 : -40 °C ... +80 °C <b>Versión avec câble FEP :</b> Classe de température T6 : -40 °C ... +55 °C Classe de température T5 : -40 °C ... +100 °C Classe de température T4 : -40 °C ... +120 °C
Têtes de sonde HMP374, HMP375, HMP377, HMP378, HMP378F et HMP378H	Classe de température T6 : -70 °C ... +55 °C Classe de température T5 : -70 °C ... +100 °C Classe de température T4 : -70 °C ... +135 °C Classe de température T3 : -70 °C ... +180 °C

## 2.1.1 Conditions d'utilisation spécifiques



**ATTENTION** L'installation de l'équipement dans une zone classée Zone 0, Groupe II exige l'absence de toute étincelle résultant d'un impact ou d'un frottement.

### Exigences en matière de câblage

- Les presse-étoupes et les câbles utilisés pour le câblage de l'appareil ne doivent pas altérer la protection Ex.
  - Les passe-câbles non utilisés doivent être obturés à l'aide de bouchons conformes à la norme Ex.
- Sélectionnez une option de réduction de tension adaptée à l'application (utilisez des presse-étoupes avec réducteur de tension ou installez des brides séparés : voir CEI 60079-14).



**ATTENTION** Ne connectez que des fils hors tension. Ne mettez jamais le système sous tension avant d'avoir terminé le câblage et fermé le corps du transmetteur.

### Sécurité intrinsèque

La catégorie de surtension des transmetteurs HMT370EX est **I** (équipement hors réseau de distribution) et le degré de pollution ambiante est de 4, comme spécifié dans la norme CEI 60664-1. Pour les paramètres d'entrée à sécurité intrinsèque, consultez le [Tableau 13 \(page 44\)](#).

Tableau 13 Paramètres d'entrée à sécurité intrinsèque

Paramètre	Valeur	Paramètres d'entité d'appareils associés
$U_i$	28 VCC	$U_o \leq U_i$
$I_i$	100 mA	$I_o \leq I_i$
$P_i$	700 mW	$P_o \leq P_i$
$C_i$	12,1 nF	$C_o \geq C_i + C_{\text{câble}}$
$L_i$	16 $\mu$ H	$L_o \geq L_i + L_{\text{câble}}$

### Utilisation des points de test de sortie analogique

Il existe des points de test pour mesurer la tension et l'intensité des sorties analogiques, situés au-dessus de chaque bornier à vis comme indiqué dans la [Figure 14 \(page 45\)](#). L'accès aux points de test sur la carte électronique nécessite l'ouverture du boîtier du transmetteur.

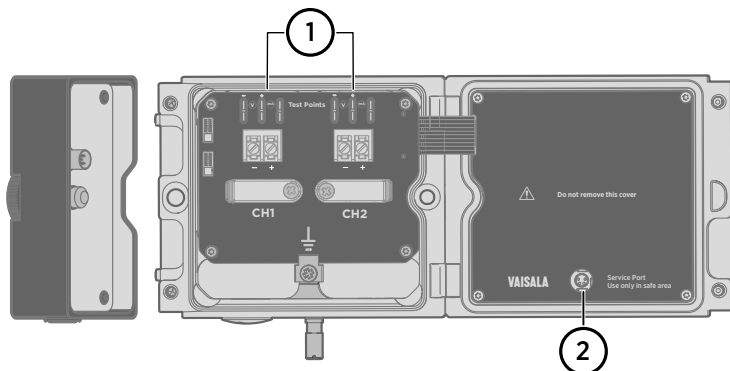


Figure 14 Emplacement des points de test et du port de service

- 1 Points de test pour multimètre pour les canaux de sortie analogique 1 et 2
- 2 Port de service pour connexion PC



**ATTENTION** Le boîtier du corps du transmetteur ne doit pas être ouvert dans une zone explosive, sauf si une autorisation d'exécuter des travaux en toute sécurité a été délivrée conformément à la norme CEI 60079-14. Retirez le transmetteur de la zone dangereuse avant d'ouvrir le boîtier ou assurez-vous qu'une procédure de travail en toute sécurité conforme à la norme CEI 60079-14 a été mise en œuvre dans la zone dangereuse.

Utilisez un multimètre à sécurité intrinsèque qui n'entraîne pas de dépassement des paramètres d'entrée à sécurité intrinsèque répertoriés dans le [Tableau 13 \(page 44\)](#) lorsqu'il est branché en série (mesure d'intensité) ou en parallèle (mesure de tension) à l'appareil associé.

#### Utilisation du port de service

Le port de service (voir la [Figure 14 \(page 45\)](#)) ne doit être utilisé que dans une zone sans danger. Retirez le transmetteur de la zone dangereuse ou assurez-vous qu'une procédure de travail en toute sécurité a été mise en œuvre dans la zone dangereuse. Utilisez uniquement le câble de connexion PC Vaisala avec le port de service.

#### Maintenance

La sonde (y compris le corps et la tête de sonde) peut être déposée et remplacée par l'utilisateur. Le filtre de tête de sonde (voir la [Figure 13 \(page 42\)](#)) est également remplaçable par l'utilisateur. Pour d'autres besoins de maintenance, contactez Vaisala.



**ATTENTION** Il est possible de déposer et de remplacer la sonde lorsque le transmetteur HMT370EX est sous tension. Aucune autre maintenance en direct, y compris le changement du filtre de tête de sonde, n'est autorisée.

Le contenu de ce chapitre est conservé dans le document annexé sous la référence suivante :

ID du document : M212506EN

Révision : D (11 oct. 2021)

## 3 Composants du transmetteur HMT370EX

### Composants externes



Les éléments A ... J font référence à l'illustration des composants externes, page 1, au début du document. Les éléments 1 ... 7 font référence à l'illustration des composants internes, page 2, au début du document.

Tableau 14 Composants externes

Élé- ment	Description
A	Tête de sonde (pour les options des variantes de tête de sonde du transmetteur HMP370EX, consultez le <i>HMT370EX User Guide</i> )
B	Corps de sonde amovible
C	Corps du transmetteur (voir le tableau <i>Composants internes</i> )
D	Écran LCD (dans le modèle avec écran en option)
E	Boutons d'interface utilisateur de l'écran (modèle avec écran uniquement)
F	Fixations murales (4 pièces)
G	Plaque de montage (en option)
H	Molette de verrouillage du corps de sonde
I	Borne de terre
J	Passe-câbles pour câblage (pour les options avec presse-étoupes et conduit, voir le <i>HMT370EX User Guide</i> )

### Composants internes

Tableau 15 Composants internes

Élé- ment	Description
1	Trous pour vis de montage
2	Brides de fixation de câble
3	Borne de terre du transmetteur
4	Port de service du transmetteur (M8, nécessite un câble de connexion USB Vaisala)
5	Port de service du corps de sonde (M12, nécessite un câble de connexion USB Vaisala)

Élé- ment	Description
6	Points de test pour multimètre des canaux de sortie analogique 1 et 2 pour l'intensité et la tension
7	Borniers à vis pour le câblage des canaux de sortie analogique 1 et 2



## 4 Installation et câblage



**AVERTISSEMENT** L'installation doit être effectuée dans une zone sans danger, ou vous devez vous assurer qu'une procédure de travail en toute sécurité conforme à la norme CEI 60079-14 a été mise en œuvre dans la zone dangereuse.



**AVERTISSEMENT** Lorsque le transmetteur HMT370EX est sous tension, le boîtier du transmetteur ne doit pas être ouvert dans une zone dangereuse. Il est possible de déposer et de remplacer la sonde lorsque le transmetteur HMT370EX est sous tension. Aucune autre maintenance en direct, y compris le changement du filtre de tête de sonde, n'est autorisée.

### 4.1 Préparations de l'installation

Avant de commencer l'installation, vérifiez les points suivants :

- Assurez-vous que le site d'installation est conforme à la classification Ex du transmetteur : consultez [Tableau 11 \(page 40\)](#).
- Consultez les informations sur la zone dangereuse dans les [Directives pour une utilisation sécurisée dans des conditions dangereuses \(page 42\)](#) pour plus d'informations sur les exigences de sécurité Ex relatives au transmetteur HMT370EX et les conditions d'utilisation spécifiques de ce dernier.
- Consultez les schémas de câblage inclus dans ce document pour obtenir des informations sur le câblage avec un isolateur galvanique ou une barrière Zener.
  - [Câblage avec des isolateurs galvaniques \(page 54\)](#)
  - [Câblage avec des barrières Zener \(page 55\)](#)
- Lors de la sélection des presse-étoupes et des bouchons pour votre application, assurez-vous qu'ils sont conformes à la norme Ex. Les presse-étoupe et les bouchons doivent empêcher l'eau et la poussière de pénétrer.

#### Informations de câblage



**AVERTISSEMENT** Une installation protégée à l'aide d'isolateurs galvaniques ou de barrières Zener est obligatoire dans un environnement dangereux.



**ATTENTION** Lors de la planification du câblage de votre application, notez que le canal 1 (CH1) doit toujours être raccordé. Le transmetteur est alimenté via les borniers à vis du canal 1 et n'est pas mis sous tension si seul le canal 2 (CH2) est raccordé.



**ATTENTION** Assurez-vous que le transmetteur est correctement alimenté. 12 VCC est la tension minimale dans toutes les conditions, mesurée aux bornes à vis du transmetteur. Si la tension d'alimentation est inférieure à 12 VCC, l'intensité de sortie analogique peut être erronée.



Il est recommandé d'utiliser des embouts sur les fils dénudés pour garantir une connexion sécurisée aux bornes à vis.

### Sélection de passe-câbles et bouchons par défaut

Le transmetteur HMT370EX est livré avec 2 types de bouchons différents sur les passe-câbles du transmetteur, comme indiqué dans la [Figure 15 \(page 50\)](#).

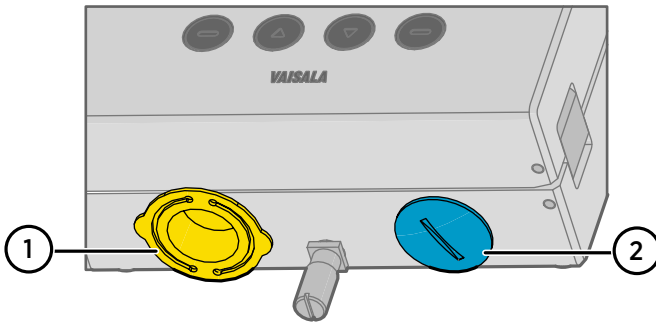


Figure 15 Bouchons par défaut au niveau des passe-câbles du transmetteur HMT370EX

- 1 Couverture de transport amovible en plastique : doit être remplacé (rabattre les côtés du couvercle de transport et extraire en tirant)
- 2 Bouchon d'étanchéité en métal : peut être utilisé pour l'installation finale

Le couvercle de transport en plastique (1) doit toujours être remplacé par un presse-étoupe, un conduit ou un joint conforme à la norme Ex lors du câblage du transmetteur HMT370EX. Le bouchon d'étanchéité en métal (2) peut être laissé en place et utilisé pour l'installation finale, si le passe-câbles droit n'est pas utilisé. Pour connaître les options avec presse-étoupes et conduit, reportez-vous au *HMT370EX User Guide*.

## 4.2 Installation du transmetteur HMT370EX



- Vis de montage du transmetteur :
  - Installation directement à travers le corps du transmetteur : 2 vis Ø 5,5 mm
  - Installation avec la plaque de montage en option : 4 vis Ø 5,5 mm et 2 vis à six pans creux M6
- Tournevis cruciforme pour vis imperdables du couvercle du transmetteur et borniers à vis de câblage
- Tournevis à tête plate pour la borne de terre
- Presse-étoupes, conduits et bouchons requis dans votre application, et outils appropriés pour les mettre en place et les bloquer
- Pince coupante

### En option :

- Outil de sertissage et embouts de fil
- Clé Allen (5 mm) pour la molette de verrouillage du corps de sonde
- Multimètre conforme à la norme Ex pour tester les sorties analogiques



Les étapes 1 ... 7 font référence aux illustrations 1 ... 7 des pages d'illustrations **3** et **4** au début du document.

- ▶ 1. Choisissez une surface (par exemple, un mur) pour installer le transmetteur. Vous pouvez monter le transmetteur directement sur la surface d'installation au moyen de 2 vis ou utiliser une plaque de montage en option qui se fixe à l'arrière du transmetteur.
  - a. Installation sans la plaque de montage : fixez le corps du transmetteur directement sur la surface d'installation au moyen de 2 vis Ø 5,5 mm. Le trou de vis gauche offre un espace vertical supplémentaire pour vous permettre de régler la position du transmetteur après avoir mis en place la vis droite.
  - b. Installation avec la plaque de montage : fixez la plaque de montage sur la surface d'installation au moyen de 4 vis Ø 5,5 mm, puis fixez le transmetteur sur la plaque de montage au moyen de 2 vis à six pans creux M6.
2. Fixez les presse-étoupes (1 ou 2) aux passe-câbles selon les besoins de votre application. Notez les exigences relatives aux presse-étoupes répertoriées dans [Conditions d'utilisation spécifiques \(page 43\)](#).
  - Les deux passe-câbles ont un filetage M20x1,5.
  - Obturez les éventuels passe-câbles inutilisés au moyen de joints conformes à la norme Ex.
  - Les presse-étoupe et les bouchons doivent empêcher l'eau et la poussière de pénétrer.

3. Préparez les fils de câblage selon les besoins de votre application (câblage via 1 ou 2 passe-câbles).
  - a. Dénudez les fils du câble : Il est recommandé de fixer des embouts aux extrémités de contact des fils.
  - b. Ouvrez le presse-étoupe et insérez une longueur appropriée de câble à l'intérieur du transmetteur à travers le presse-étoupe.
  - c. Serrez le presse-étoupe : reportez-vous aux instructions des presse-étoupes utilisés dans votre application pour une étanchéité maximale.
  - d. Si votre installation ne nécessite pas l'utilisation des deux passe-câbles, obturez le passe-câbles inutilisé au moyen d'un joint conforme à la norme Ex.
4. Connectez le câblage des borniers à vis selon les besoins de votre application. Pour les schémas de câblage d'une installation protégée, consultez [Câblage avec des isolateurs galvaniques \(page 54\)](#) et [Câblage avec des barrières Zener \(page 55\)](#).
  - a. Ouvrez les brides de fixation de câble sous les borniers à vis et faites passer les câbles dans les brides pour les amener jusqu'aux bornes.
  - b. Raccordez les câbles aux borniers à vis.



Notez que le canal 1 (CH1) doit toujours être câblé. Le transmetteur est alimenté via les borniers à vis du canal 1 et n'est pas mis sous tension si seul le canal 2 (CH2) est raccordé.

- c. Ajustez la longueur des fils et fermez les brides de fixation de câble pour qu'elles maintiennent les câbles en place.

**En option :** Pour obtenir des instructions sur la vérification du niveau de sortie analogique au moyen d'un multimètre, consultez [étape 8](#).

5. Fermez le couvercle du corps du transmetteur et serrez les vis imperdables, puis fixez le corps de sonde au transmetteur.



Il est suffisant de serrer le corps de sonde à la main au moyen de la molette de verrouillage. Pour empêcher le corps de sonde de se détacher sans outils, vous pouvez serrer davantage la molette de verrouillage avec une clé Allen (5 mm).

6. Montez la tête de sonde dans la zone où vous souhaitez effectuer les mesures.



Les sondes de la série HMT370EX sont conçues pour diverses applications présentant des exigences d'installation différentes. Pour obtenir des instructions d'installation spécifiques à la sonde, consultez le *HMT370EX User Guide*.

7. Raccordez la borne de terre au bas du transmetteur à l'élément de mise à la terre du site d'installation avec un fil de terre de 4 mm<sup>2</sup>. Après avoir mis à la terre le transmetteur, mettez-le sous tension.
8. **En option** : si vous souhaitez vérifier le niveau de sortie des canaux de sortie analogique, testez la connexion comme suit :
  - a. Détachez le corps de sonde et ouvrez le couvercle du transmetteur.
  - b. Raccordez un multimètre aux points de test mA situés au-dessus des borniers à vis de sortie sur la carte électronique du transmetteur (voir l'illustration page 2 au début du document pour connaître l'emplacement des bornes).



Utilisez toujours un multimètre conforme à la norme Ex. Les paramètres de sortie du multimètre doivent être compatibles avec les paramètres d'entrée du transmetteur.

- c. Démarrez le mode de test de sortie en utilisant l'interface de l'écran du transmetteur ou, si vous utilisez un transmetteur sans écran, en raccordant le transmetteur au logiciel Insight pour PC. Pour obtenir des instructions sur l'utilisation du mode de test de sortie avec l'interface de l'écran et le logiciel Insight pour PC, consultez le *HMT370EX User Guide*.
- d. Après avoir vérifié la sortie, retirez le multimètre, fermez le couvercle du transmetteur et refixez le corps de sonde.

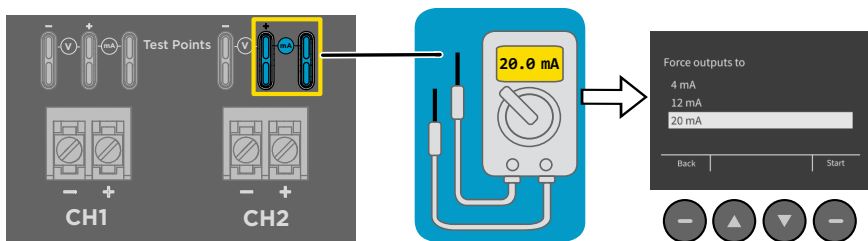


Figure 16 Présentation des points de test pour multimètre



**ATTENTION** Le port de service (voir la [Figure 14 \(page 45\)](#)) ne doit être utilisé que dans une zone sans danger. Retirez le transmetteur de la zone dangereuse ou assurez-vous qu'une procédure de travail en toute sécurité a été mise en œuvre dans la zone dangereuse. Utilisez uniquement le câble de connexion PC Vaisala avec le port de service.

### 4.3 Câblage avec des isolateurs galvaniques

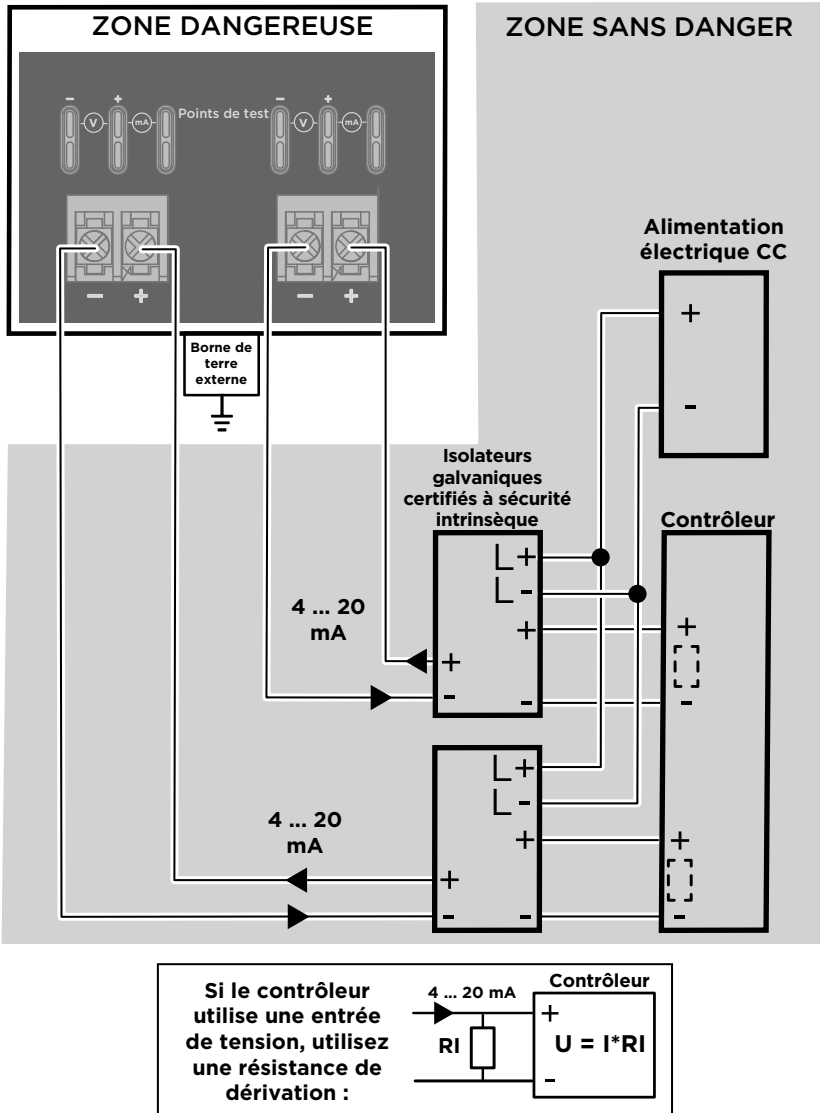


Figure 17 Schéma de câblage avec des isolateurs galvaniques

## 4.4 Câblage avec des barrières Zener

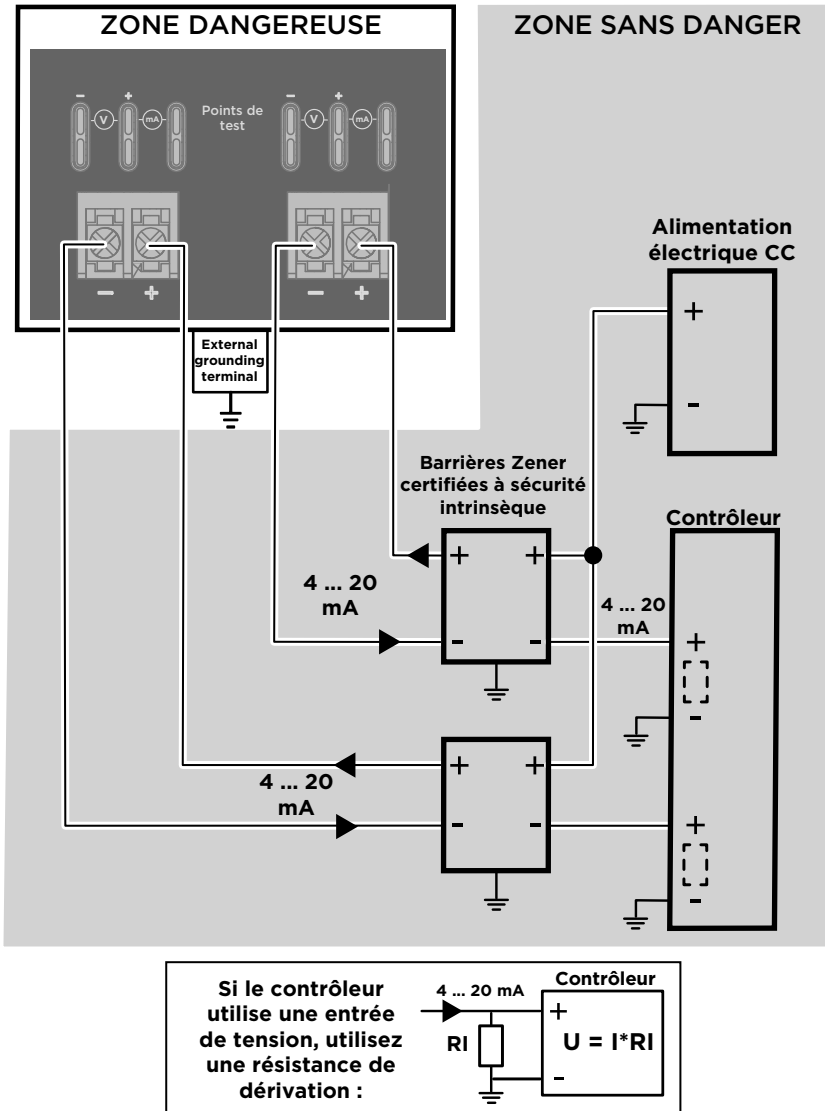


Figure 18 Schéma de câblage avec des barrières Zener

FRANÇAIS

## Services de maintenance et d'étalonnage



Vaisala propose un service clientèle complet tout au long du cycle de vie de ses systèmes et instruments de mesure. Nos services professionnels sont disponibles dans le monde entier avec des livraisons rapides. Pour plus d'informations, consultez [www.vaisala.com/calibration](http://www.vaisala.com/calibration).

- La boutique en ligne de Vaisala est accessible à l'adresse [store.vaisala.com](http://store.vaisala.com) dans la plupart des pays. Vous pouvez parcourir l'offre par modèle de produit et commander les accessoires, les pièces de rechange et les services de maintenance et d'étalonnage appropriés.
- Pour contacter votre expert local de maintenance et d'étalonnage, consultez [www.vaisala.com/contactus](http://www.vaisala.com/contactus).

## Garantie

Pour connaître nos conditions de garantie standard, rendez-vous sur la page [www.vaisala.com/warranty](http://www.vaisala.com/warranty).

Veillez noter qu'une telle garantie ne s'applique pas en cas de dommage dû à l'usure normale, à des conditions de fonctionnement exceptionnelles, à une négligence lors de la manipulation ou de l'installation, ou à des modifications non autorisées. Veuillez consulter le contrat d'approvisionnement applicable ou les conditions de vente pour obtenir des détails sur la garantie de chaque produit.

## Assistance technique



Contactez l'assistance technique de Vaisala via [helpdesk@vaisala.com](mailto:helpdesk@vaisala.com). Veuillez nous communiquer au minimum les informations suivantes selon le cas :

- Nom du produit, modèle et numéro de série
  - Logiciel/version du progiciel
  - Nom et emplacement du site d'installation
  - Nom et coordonnées d'une personne compétente sur le plan technique capable de fournir des informations complémentaires sur le problème
- Pour plus d'informations, voir [www.vaisala.com/support](http://www.vaisala.com/support).

## Recyclage



Recyclez tous les matériaux appropriés.





Mettez au rebut le produit et son emballage en respectant la réglementation en vigueur.



# 1 Inleiding tot de HMT370EX-serie

De Vaisala HUMICAP®-serie vochtigheids- en temperatuurtransmitters HMT370EX is de ideale oplossing voor het meten van vochtigheid in gevaarlijke omgevingen. De HMT370EX is intrinsiek veilig en robuust en werkt veilig en betrouwbaar, zelfs in de meest gevaarlijke omgevingen, zoals Zone 0. HMT370EX-transmitters kunnen worden gebruikt als vervanging voor de langlopende HMT360-transmitterserie in alle HMT360-toepassingen.

De HMT370EX kan direct in explosiegevaarlijke omgevingen worden geïnstalleerd. Deze is bestand tegen continue blootstelling aan potentieel explosieve omgevingen die ontvlambare gassen of stof bevatten, en vereist geen extra beschermende behuizingen voor gebruik in gas- of stofomgevingen.

De HMT370EX biedt verscheidene probe-opties voor verschillende toepassingen. Dankzij de afneembare probemodule kunnen probes gemakkelijk worden vervangen en verwijderd voor kalibratie buiten de gevaarlijke omgeving zonder de hele transmitter te hoeven verwijderen.

De transmitter heeft 2 analoge stroomuitgangskanalen (4 - 20 mA) voor aansluiting via veiligheidsbarrières. Voor een gebruiksvriendelijke toegang tot configuratie-, diagnose- en kalibratie- en afstelfuncties, kunnen de probe- en transmitterbehuizing worden aangesloten op de Vaisala Insight pc-software voor configuratie samen als één eenheid of afzonderlijk.

## 1.1 Basiskenmerken en opties

- Beschikbare meetparameters: relatieve vochtigheid (RH) en temperatuur (T)
  - Berekende meetparameters omvatten <sup>1)</sup>: dauwpunttemperatuur, natteboltemperatuur, absolute vochtigheid, mengverhouding, waterconcentratie, watermassafractie, waterdampdruk, enthalpie en olie/brandstofvochtigheid bij speciale modellen
- Ex-classificatie: IECEx- en ATEX-gecertificeerd voor gebruik in omgevingen van zone 0 en zone 20: zie [Tabel 16 \(pagina 60\)](#) voor de volledige Ex-classificaties.
- 2 analoge uitgangen (4 - 20 mA, schaalbaar, geïsoleerd)
- Weergaveopties: grafisch LCD-scherm of model zonder display
- Ingang voedingseenheid: 12 - 28 V
- Compatibel met Vaisala Insight pc-software

## 1.2 Meer informatie

Meer informatie over gebruik, configuratie en onderhoud van de transmitter na installatie is te vinden in de *HMT370EX User Guide* (te downloaden van [www.vaisala.com/HMT370EX](http://www.vaisala.com/HMT370EX)).

1) *Extra berekende parameters beschikbaar: zie de productinformatie op [vaisala.com](http://vaisala.com)*

## 2 Gebruik van transmitters van de HMT370EX-serie op gevaarlijke locaties



**ATTENTIE** Beveiligde installatie met behulp van galvanische isolatoren of Zener-barrières is verplicht in een gevaarlijke omgeving.

Sluit in gevaarlijke omgevingen altijd de transmitters aan via galvanische isolatoren of Zener-barrières. Een galvanische isolator of Zener-barrière moet ook worden gebruikt als de transmitter en de probebehuizing zich in een veilige omgeving bevinden, maar de probekop in een gevaarlijke omgeving is geïnstalleerd. Zie voor bedradingsinformatie de bedradingsschema's van de galvanische isolator en de Zener-barrière in dit document.

De HMT370EX bevat geen galvanische isolator of Zener-barrière. Ze kunnen als optionele accessoires bij Vaisala worden besteld.



**ATTENTIE** De transmitters van de HMT370EX-serie zijn ontworpen voor gebruik op gevaarlijke locaties, zoals aangegeven door de productclassificatie. Het personeel dat de HMT370EX-transmitters installeert, gebruikt of onderhoudt, is verantwoordelijk voor het bepalen van het juiste beschermingsconcept voor de specifieke toepassing waarin HMT370EX wordt gebruikt, en moet ervoor zorgen dat de classificatie voor gevaarlijke locaties van het apparaat voldoet aan de vereisten van de toepassing.



**ATTENTIE** Gebruik van de apparatuur op een wijze die niet is gespecificeerd door Vaisala, kan de bescherming aantasten die wordt geboden door de apparatuur.

De transmitters van de HMT370EX-serie zijn gecertificeerd voor gebruik in gevaarlijke omgevingen volgens de onderstaande classificatie:

Tabel 16 Classificaties van gevaarlijke omgevingen voor de HMT370EX-serie

Certificering	HMT370EX-classificatie
IECEx <sup>1)</sup> / ATEX <sup>2)</sup>	II 1 G Ex ia IIC T4 Ga II 1 D Ex ia IIIC T <sub>200</sub> 85 °C Da -40 °C ≤ T <sub>amb</sub> ≤ +60 °C

1) Internationale certificering

2) EU-certificering

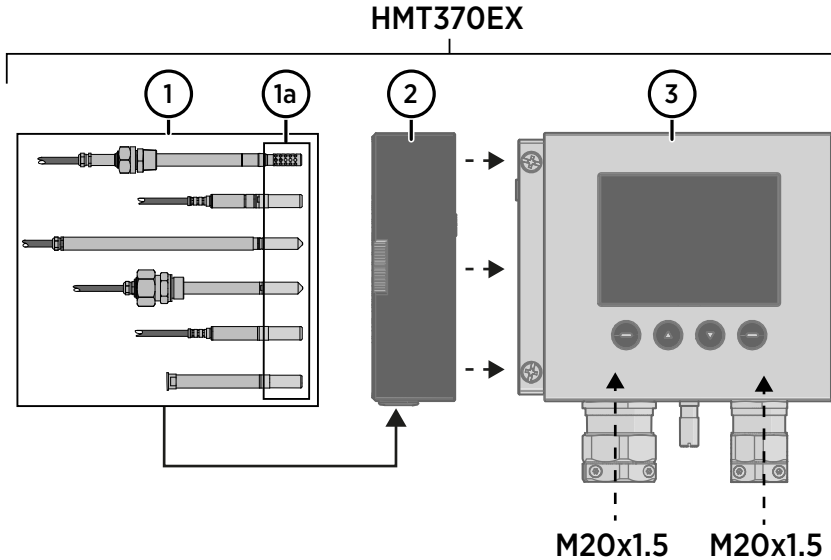


**LET OP!** Het personeel dat de HMT370EX-transmitters installeert, bedient en onderhoudt, moet beschikken over de vereiste competenties voor het werken op gevaarlijke locaties, zoals gedefinieerd in de betreffende normen.

Meer informatie over de normen die van toepassing zijn op het gebruik van de HMT370EX gebaseerd op de classificatie van het apparaat, kunt u vinden in de certificeringsdocumentatie van de HMT370EX en de conformiteitsverklaringen met betrekking tot de HMT370EX op [www.vaisala.com/declarationofconformity](http://www.vaisala.com/declarationofconformity).

## 2.1 Richtlijnen voor veilig gebruik in gevaarlijke omstandigheden

### Onderdelenoverzicht HMT370EX-serie



Figuur 19 Overzicht HMT370EX-onderdelen

Transmitters van de HMT370EX-serie bestaan uit 3 hoofdonderdelen: de transmitterbehuizing, een verwijderbare probebehuizing en een probekop die rechtstreeks of met een kabel aan de probebehuizing is bevestigd. [Figuur 19 \(pagina 62\)](#) toont de hoofdonderdelen.

- 1 Probekoppen (voor een beschrijvingen van de varianten, zie de *HMT370EX User Guide*)
- 1a Probekopfilters
- 2 Probebehuizing
- 3 Transmitterbehuizing

De verschillende varianten van de probekop zijn ontworpen voor verschillende toepassingen en hebben hun eigen specificaties. Zorg ervoor dat de transmitterbehuizing, de probebehuizing en de probekop elk in een omgeving worden geplaatst die past bij de specificatie van het onderdeel. Zie voor de toegestane omgevingstemperatuurbereiken [Tabel 17 \(pagina 63\)](#).

Tabel 17 Toegestane omgevingstemperatuurbereiken

Apparatuuronderdeel	Toegestaan omgevingstemperatuurbereik
Transmitterbehuizing	-40 °C tot +60 °C
Probebehuizing	-40 °C tot +60 °C
Probekop HMP371	Temperatuurklasse T4: -40 °C tot +60 °C
Probekop HMP373	<b>Versie met rubberen kabel:</b> Temperatuurklasse T6: -40 °C tot +55 °C Temperatuurklasse T5: -40 °C tot +80 °C <b>FEP-kabelversie:</b> Temperatuurklasse T6: -40 °C tot +55 °C Temperatuurklasse T5: -40 °C tot +100 °C Temperatuurklasse T4: -40 °C tot +120 °C
Probekoppen HMP374, HMP375, HMP377, HMP378, HMP378F en HMP378H	Temperatuurklasse T6: -70 °C tot +55 °C Temperatuurklasse T5: -70 °C tot +100 °C Temperatuurklasse T4: -70 °C tot +135 °C Temperatuurklasse T3: -70 °C tot +180 °C

## 2.1.1 Specifieke gebruiksvoorwaarden



**LET OP!** Bij de installatie van de apparatuur in een omgeving van Zone 0 Groep II, mogen geen vonken door impact of wrijving voorkomen.

### Bedradingsvereisten

- De kabelwartels en kabels die worden gebruikt voor de bedrading van het apparaat mogen de Ex-bescherming niet verzwakken.
  - Niet-gebruikte kabeldoorvoeren moeten worden afgesloten met stoppen die aan de Ex-vereisten voldoen.
- Kies een spanningsontlastingsoptie die geschikt is voor de toepassing (gebruik kabelwartels die voorzien zijn van spanningsontlasting of monteer afzonderlijke klemmen: zie IEC 60079-14).



**LET OP!** Sluit uitsluitend stroomloze draden aan. Schakel de voedingseenheid nooit in voordat de bedrading is voltooid en de transmitterbehuizing gesloten is.

### Intrinsieke veiligheid

De overspanningscategorie van HMT370EX-transmitters is **I** (apparatuur zonder netspanning) en de mate van omgevingsvervuiling is 4, zoals gespecificeerd in IEC 60664-1. Zie [Tabel 18 \(pagina 64\)](#) voor de intrinsiek veilige ingangparameters.

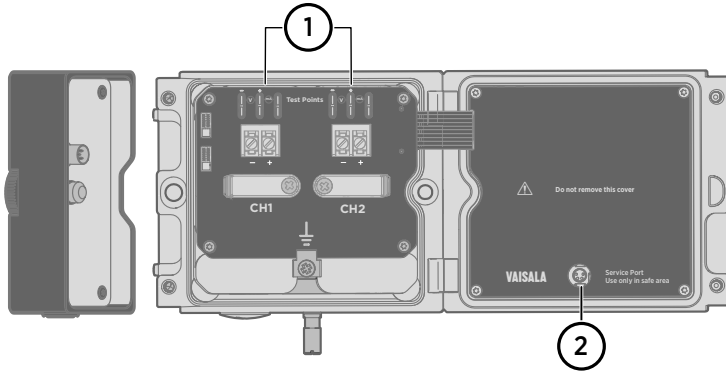
Tabel 18 Intrinsiek veilige ingangparameters

Parameter	Waarde	Bijbehorende entiteitparameters apparaat
$U_i$	28 V DC	$U_o \leq U_i$
$I_i$	100 mA	$I_o \leq I_i$
$P_i$	700 mW	$P_o \leq P_i$
$C_i$	12,1 nF	$C_o \geq C_i + C_{\text{cable}}$
$L_i$	16 $\mu$ H	$L_o \geq L_i + L_{\text{cable}}$

### Het gebruik van testpunten voor analoge uitgangen

Er zijn testpunten voor het meten van de spanningen en stroomsterktes van de analoge uitgangen; deze bevinden zich boven elke schroefaansluiting, zoals weergegeven in [Figuur 20 \(pagina 65\)](#). Om toegang te krijgen tot de testpunten op de printplaat, moet de transmitterbehuizing worden geopend.





Figuur 20 Locatie van testpunten en servicepoort

- 1 Multimeter-testpunten voor analoge uitgangskanalen 1 en 2
- 2 Servicepoort voor pc-verbinding



**LET OP!** De transmitterbehuizing mag niet worden geopend in een explosiegevaarlijke omgeving, tenzij een veilige werkvergunning is afgegeven conform de norm IEC 60079-14. Verwijder de transmitter uit de gevaarlijke omgeving voordat u de behuizing opent, of zorg ervoor dat er een veilige werkprocedure conform IEC 60079-14 is geïmplementeerd in de gevaarlijke omgeving.

Gebruik een intrinsiek veilige multimeter die niet de intrinsiek veilige ingangsparementen die worden vermeld in [Tabel 18 \(pagina 64\)](#) overschrijdt wanneer deze in serie (stroommeting) of parallel (spanningsmeting) met het bijbehorende apparaat wordt geschakeld.

#### Het gebruik van de servicepoort

De servicepoort (zie [Figuur 20 \(pagina 65\)](#)) mag alleen in een veilige omgeving worden gebruikt. Verwijder de transmitter uit de gevaarlijke omgeving of zorg ervoor dat er een veilige werkprocedure is geïmplementeerd in de gevaarlijke omgeving. Gebruik alleen de pc-verbindingkabel van Vaisala als accessoire bij de servicepoort.

#### Onderhoud

De probe (inclusief probebehuizing en -kop) kan door de gebruiker worden losgemaakt en vervangen. Het probekopfilter (zie [Figuur 19 \(pagina 62\)](#)) kan ook door de gebruiker worden vervangen. Neem voor andere onderhoudsvereisten contact op met Vaisala.



**LET OP!** De probe kan worden verwijderd en vervangen wanneer de HMT370EX is ingeschakeld. Elk ander live-onderhoud, inclusief het vervangen van het probekopfilter, is niet toegestaan.

De inhoud van dit hoofdstuk is vastgelegd in het volgende, afzonderlijk bijgehouden document:	
---	--

Document-ID: M212506NL	Revisie: D (11 okt 2021)
------------------------	--------------------------

## 3 Onderdelen van de HMT370EX

### Externe onderdelen



Items A - J verwijzen naar de illustratiepagina met externe onderdelen **1** aan het begin van het document. Items 1 - 7 verwijzen naar de illustratiepagina met interne onderdelen **2** aan het begin van het document.

Tabel 19 Externe onderdelen

Item	Beschrijving
A	Probekop (voor variantopties van de probekop van de HMP370EX, zie de <i>HMT370EX User Guide</i> )
B	Afneembare probebehuizing
C	Transmitterbehuizing (zie tabel <i>Interne onderdelen</i> )
D	LCD-scherm (in optioneel displaymodel)
E	Gebruikersinterfaceknoppen op display (alleen displaymodel)
F	Muurpads (4 stuks)
G	Bevestigingsplaat (optioneel)
H	Vergrendelingswiel voor probebehuizing
I	Aardeaansluiting
J	Doorvoeren voor bedrading (voor kabelwartels en kabelgoten, zie de <i>HMT370EX User Guide</i> )

### Interne onderdelen

Tabel 20 Interne onderdelen

Item	Beschrijving
1	Gaten voor bevestigingsschroeven
2	Kabelbevestigingsklemmen
3	Aardeaansluiting transmitter
4	Servicepoort transmitter (M8, vereist Vaisala USB-verbindingkabel)
5	Servicepoort probebehuizing (M12, vereist Vaisala USB-verbindingkabel)
6	Analoog uitgangskanaal 1 en 2 multimeter-testpunten voor stroomsterkte en spanning
7	Schroefaansluitingen voor bedrading van analoge uitgangskanalen 1 en 2

## 4 Installatie en bedrading



**ATTENTIE** De installatie moet worden uitgevoerd in een veilige omgeving, of u moet ervoor zorgen dat er een veilige werkprocedure conform IEC 60079-14 is geïmplementeerd in de gevaarlijke omgeving.



**ATTENTIE** Als de HMT370EX onder spanning staat, mag de transmitterbehuizing niet worden geopend in een gevaarlijke omgeving. De probe kan worden verwijderd en vervangen wanneer de HMT370EX is ingeschakeld. Elk ander live-onderhoud, inclusief het vervangen van het probekopfilter, is niet toegestaan.

### 4.1 Installatie voorbereiden

Controleer voordat u gaat installeren:

- Ga na of de installatielocatie voldoet aan de Ex-classificatie van de transmitter: zie [Tabel 16 \(pagina 60\)](#).
- Bekijk de informatie over gevaarlijke omgevingen in [Richtlijnen voor veilig gebruik in gevaarlijke omstandigheden \(pagina 62\)](#) voor meer informatie over Ex-veiligheidseisen met betrekking tot de HMT370EX en specifieke gebruiksvoorwaarden.
- Bekijk de bedradingschema's in dit document voor informatie over bedrading met een galvanische isolator of een Zener-barrière.
  - [Bedrading met galvanische isolatoren \(pagina 73\)](#)
  - [Bedrading met Zener-barrières \(pagina 74\)](#)
- Controleer bij het kiezen van de kabelwartels en stoppen voor uw toepassing of deze voldoen aan de Ex-vereisten. De wartels en stoppen moeten water- en stofdicht zijn.

#### Bedradingsinformatie



**ATTENTIE** Beveiligde installatie met behulp van galvanische isolatoren of Zener-barrières is verplicht in een gevaarlijke omgeving.



**LET OP!** Houd er bij het plannen van de bedrading van uw toepassing rekening mee dat kanaal 1 (CH1) altijd bedraad moet zijn. De transmitter ontvangt voeding via de schroefaansluitingen van kanaal 1 en wordt niet ingeschakeld als alleen kanaal 2 (CH2) is bedraad.



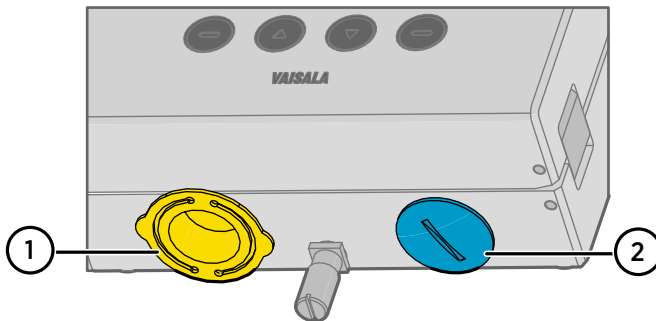
**LET OP!** Zorg ervoor dat de transmitter correct wordt gevoed. 12 V DC is de minimumspanning onder alle omstandigheden, gemeten op de schroefaansluitingen van de transmitter. Als de voedingsspanning minder is dan 12 V DC, kan de analoge uitgangsstroom onjuist zijn.



Het wordt aanbevolen om adereindhulzen op de gestripte draden te gebruiken om een veilige verbinding met de schroefaansluitingen te verzekeren.

### Doorvoerselectie en standaardstoppen

De HMT370EX wordt geleverd met 2 verschillende soorten stoppen op de transmitterdoorvoeren, zoals weergegeven in [Figuur 21 \(pagina 69\)](#).



Figuur 21 Standaardstoppen in HMT370EX-doorvoeren

- 1 Afneembare kunststof transporthoes: moet worden vervangen (zijanten van transporthoes samenvouwen en eruit trekken)
- 2 Metalen afsluitplug: kan worden gebruikt in de uiteindelijke installatie

De kunststof transporthoes (1) moet altijd worden vervangen door een Ex-conforme kabelwartel, kabelgoot of afdichting bij het bedraden van de HMT370EX. De metalen afsluitplug (2) kan op zijn plaats worden gelaten en in de uiteindelijke installatie worden gebruikt, als de rechterdoorvoer niet wordt gebruikt. Zie voor kabelwartels en kabelgoten de *HMT370EX User Guide*.

## 4.2 De HMT370EX installeren



- Schroeven voor montage van de transmitter:
    - Installatie rechtstreeks door de transmitterbehuizing: 2 stuks Ø 5,5 mm schroeven
    - Installatie met optionele bevestigingsplaat: 4 stuks Ø 5,5 mm schroeven en 2 stuks M6 inbusbouten
  - Kruiskopschroevendraaier voor onverliesbare schroeven van het transmitterdeksel en schroefaansluitingen voor bedrading
  - Platte schroevendraaier voor de aardeaansluiting
  - Kabelwartels, goten en stoppen zoals vereist in uw toepassing, en geschikt gereedschap om ze te bevestigen en vast te zetten
  - Draadkniptang
- Optioneel:**
- Krimptang en adereindhulzen
  - Inbusleutel (5 mm) voor vergrendelingswiel van probebehuizing
  - Ex-compatibele multimeter voor het testen van analoge uitgangen



Stappen 1 - 7 verwijzen naar afbeeldingen 1 - 7 op de illustratiepagina's **3** en **4** aan het begin van het document.

- ▶ 1. Kies een oppervlak (bijvoorbeeld een muur) voor het installeren van de transmitter. U kunt de transmitter rechtstreeks op het installatieoppervlak monteren met 2 schroeven, of een optionele bevestigingsplaat gebruiken die aan de achterkant van de transmitter wordt bevestigd.
  - a. Installatie zonder bevestigingsplaat: bevestig de transmitterbehuizing direct op het installatieoppervlak met 2 schroeven van Ø 5,5 mm. Het linkerschroefgat heeft extra verticale ruimte om de positie van de transmitter te verstellen nadat u de rechterschroef hebt vastgemaakt.
  - b. Installatie met bevestigingsplaat: bevestig de bevestigingsplaat op het installatieoppervlak met 4 Ø 5,5 mm schroeven en bevestig vervolgens de transmitter op de bevestigingsplaat met 2 M6 inbusbouten.
2. Bevestig kabelwartels (1 of 2) aan de bedradingsdoorvoeren zoals vereist in uw toepassing. Let op de vereisten voor kabelwartels vermeld in [Specifieke gebruiksvoorwaarden \(pagina 63\)](#).
  - Beide doorvoeren hebben schroefdraad M20x1,5.
  - Sluit ongebruikte doorvoeren af met Ex-conforme afdichtingen.
  - De wartels en stoppen moeten water- en stofdicht zijn.

3. Bereid de bekabelingsdraden voor zoals vereist in uw toepassing (bekabeling via 1 of 2 doorvoeren).
  - a. Strip de kabeldraden: het wordt aanbevolen om adereindhulzen aan de contactuiteinden van de draden te bevestigen.
  - b. Open de kabelwartel en steek een geschikte lengte van de kabel door de kabelwartel in de transmitter.
  - c. Draai de kabelwartel vast: raadpleeg de instructies van de wartels die in uw toepassing worden gebruikt voor de maximale aanhaalkracht.
  - d. Als uw installatie het gebruik van beide doorvoeren niet vereist, sluit u de ongebruikte doorvoer af met een Ex-conforme afdichting.
4. Sluit de bedrading van de schroefaansluitingen aan zoals vereist in uw toepassing. Zie voor bedradingschema's voor beschermde installaties [Bedrading met galvanische isolatoren \(pagina 73\)](#) en [Bedrading met Zener-barrières \(pagina 74\)](#).
  - a. Open de kabelbevestigingsklemmen onder de schroefaansluitingen en leid de kabels door de aansluitingen naar de klemmen.
  - b. Sluit de draden aan op de schroefaansluitingen.



We wijzen erop dat kanaal 1 (CH1) altijd bedraad moet zijn. De transmitter krijgt voeding via de CH1-schroefaansluitingen en wordt niet ingeschakeld als alleen kanaal 2 (CH2) is bedraad.

- c. Pas de lengte van de draden aan en sluit de kabelbevestigingsklemmen zodat ze de kabels op hun plaats houden.
- Optioneel:** zie voor instructies voor het testen van het analoge uitgangsniveau met een multimeter [stap 8](#).
5. Sluit het deksel van de transmitterbehuizing en draai de onverliesbare schroeven vast; bevestig vervolgens de probebehuizing aan de transmitter.



Het volstaat om de probebehuizing handvast aan te draaien met het vergrendelingswiel. Om te voorkomen dat de probebehuizing zonder gereedschap wordt losgemaakt, kunt u het vergrendelingswiel verder vastdraaien met een inbussleutel (5 mm).

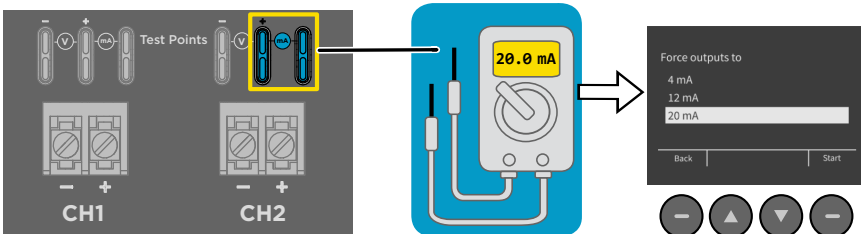
6. Bevestig de probekop in het gebied waarin u wilt meten.



De probes uit de HMT370EX-serie zijn ontworpen voor een verscheidenheid aan toepassingen met verschillende installatievereisten. Zie voor probespecifieke installatie-instructies de *HMT370EX User Guide*.

7. Verbind de aardeaansluiting aan de onderkant van de transmitter met een 4 mm<sup>2</sup> aarddraad met het aardingselement van de installatielocatie. Schakel na het aarden van de transmitter de voedingsingang in.

8. **Optioneel:** als u het uitgangsniveau van de analoge uitgangskanalen wilt controleren, test u de verbinding als volgt:
- Maak de probebehuizing los en open het transmitterdeksel.
  - Sluit een multimeter aan op de mA-testpunten die zich boven de uitgangsschroefaansluitingen op de printplaat van de transmitter bevinden (zie illustratiepagina 2 aan het begin van het document voor de locatie van de aansluitingen).
- i** Gebruik altijd een Ex-compatibele multimeter. De uitgangsparemeters van de multimeter moeten compatibel zijn met de ingangsparemeters van de transmitter.
- Start de uitgangstestmodus door de display-interface van de transmitter te gebruiken of, als u een transmitter zonder display gebruikt, door de transmitter aan te sluiten op Insight pc-software. Zie voor instructies over het gebruik van de uitgangstestmodus met de display-interface en Insight pc-software de *HMT370EX User Guide*.
  - Nadat u de uitgang heeft gecontroleerd, verwijdert u de multimeter, sluit u het transmitterdeksel en bevestigt u de probebehuizing weer.



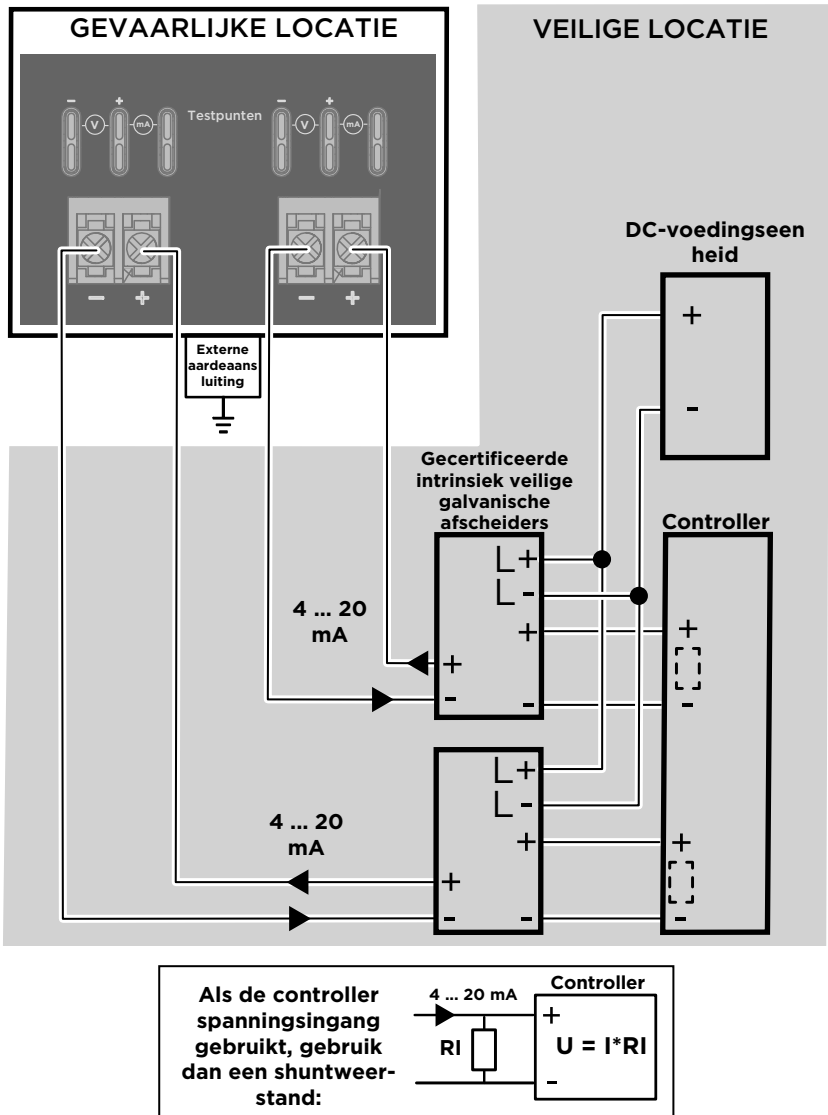
Figuur 22 Overzicht multimetertestpunten



**LET OP!** De servicepoort (zie [Figuur 20 \(pagina 65\)](#)) mag alleen in een veilige omgeving worden gebruikt. Verwijder de transmitter uit de gevaarlijke omgeving of zorg ervoor dat er een veilige werkprocedure is geïmplementeerd in de gevaarlijke omgeving. Gebruik alleen de pc-verbindingkabel van Vaisala als accessoire bij de servicepoort.



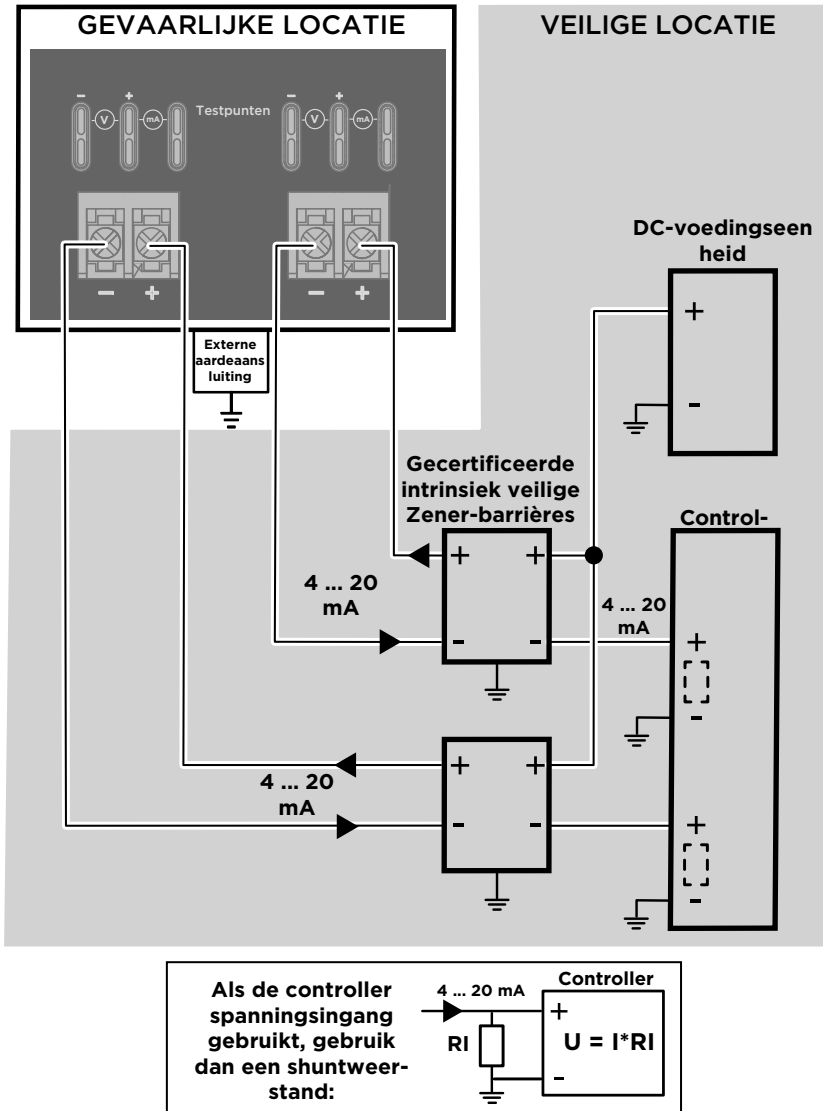
### 4.3 Bedrading met galvanische isolatoren



NEDERLANDS

Figuur 23 Aansluitschema met galvanische isolatoren

## 4.4 Bedrading met Zener-barrières



Figuur 24 Bedradingsschema met Zener-barrières

## Onderhouds- en kalibratieservices



Vaisala biedt uitgebreide klantenservice gedurende de levenscyclus van onze meetinstrumenten en -systemen. Onze fabrieksservices worden wereldwijd geleverd met korte doorlooptijden. Ga voor meer informatie naar [www.vaisala.com/calibration](http://www.vaisala.com/calibration).

- De Vaisala Online Store op [store.vaisala.com](http://store.vaisala.com) is beschikbaar voor de meeste landen. U kunt per productmodel door het aanbod bladeren en de juiste accessoires, reserveonderdelen of onderhouds- en kalibratieservices bestellen.
- Om contact op te nemen met uw plaatselijke onderhouds- en kalibratiedeskundige, zie [www.vaisala.com/contactus](http://www.vaisala.com/contactus).

## Garantie

Ga voor de standaard garantievoorwaarden naar [www.vaisala.com/warranty](http://www.vaisala.com/warranty).

Denk erom dat de garantie wellicht niet geldt bij schade door normale slijtage, uitzonderlijke gebruiksomstandigheden, slordige behandeling of installatie, of niet-geautoriseerde wijzigingen. Raadpleeg het geldende leveringscontract of de Algemene verkoopvoorwaarden voor de garantiegegevens van elk product.

## Technische ondersteuning



Contact met technische ondersteuning van Vaisala: [helpdesk@vaisala.com](mailto:helpdesk@vaisala.com).

Verstrek minstens de volgende ondersteuningsgegevens, indien van toepassing:

- Productnaam, -model, serienummer
- Versie van software/firmware
- Naam en plaats van de installatielocatie
- Naam en contactgegevens van een technicus die meer informatie kan verstrekken over het probleem

Zie [www.vaisala.com/support](http://www.vaisala.com/support) voor meer informatie.

## Recycling



Recycleer al het toepasselijke materiaal.



Volg de regelgeving voor het afvoeren van het product en de verpakking.



# 1 Introducción a la serie HMT370EX

La serie de transmisores de humedad y temperatura HUMICAP® de Vaisala HMT370EX es la solución ideal para medir la humedad en áreas peligrosas. Intrínsecamente seguro y robusto, el HMT370EX funciona de manera segura y confiable incluso en las áreas más peligrosas, como la Zona 0. Los transmisores HMT370EX se pueden utilizar como reemplazo de la serie de transmisores HMT360 de larga duración en todas las aplicaciones del HMT360.

El HMT370EX se puede instalar directamente en áreas explosivas. Puede soportar la exposición continua a entornos potencialmente explosivos que contienen gases o polvos inflamables y no requiere carcasas protectoras adicionales para su funcionamiento en entornos con gas o polvo.

El HMT370EX ofrece varias opciones de sonda para diferentes aplicaciones. Gracias al módulo de sonda desmontable, las sondas se pueden reemplazar y quitar fácilmente para calibración fuera del área peligrosa, sin quitar todo el transmisor.

El transmisor tiene 2 canales de salida de corriente analógica (de 4 a 20 mA) para la conexión mediante barreras de seguridad. Para un fácil acceso a las funcionalidades de configuración, diagnóstico, calibración y ajuste, la sonda y el cuerpo del transmisor se pueden conectar al software Insight para PC de Vaisala, para configurarlos juntos como una unidad o por separado.

## 1.1 Características y opciones básicas

- Parámetros de medición disponibles: temperatura (T) y humedad relativa (HR)
  - Los parámetros de medición calculados incluyen <sup>1)</sup>: temperatura del punto de rocío, temperatura de bulbo húmedo, humedad absoluta, relación de mezcla, concentración de agua, fracción másica de agua, presión de vapor de agua, entalpía y humedad del combustible/aceite con modelos especiales
- Clasificación Ex: Certificación IECEx y ATEX para uso en entornos de Zona 0 y Zona 20: Para ver las clasificaciones Ex completas, consulte [Tabla 21 \(página 78\)](#).
- 2 salidas analógicas (4 a 20 mA, escalables, aisladas)
- Opciones de pantalla: pantalla gráfica LCD o modelo sin pantalla
- Entrada del sistema de alimentación: 12 a 28 V
- Compatible con el software Insight de Vaisala para PC

## 1.2 Más información

Para obtener más información sobre el uso, la configuración y el mantenimiento del transmisor después de la instalación, consulte *HMT370EX User Guide* (disponible en [www.vaisala.com/HMT370EX](http://www.vaisala.com/HMT370EX)).

1) *parámetros calculados adicionales disponibles: consulte la información del producto en [vaisala.com](http://vaisala.com)*

## 2 Uso de transmisores serie HMT370EX en ubicaciones peligrosas



**ADVERTENCIA** La instalación protegida con aisladores galvánicos o barreras Zener es obligatoria en un entorno peligroso.

En entornos peligrosos, conecte siempre los transmisores mediante aisladores galvánicos o barreras Zener. También se debe utilizar un aislador galvánico o una barrera Zener cuando el transmisor y el cuerpo de la sonda se encuentran en un área segura, pero el cabezal de la sonda está instalado en un entorno peligroso. Para obtener información sobre el cableado, consulte los diagramas de cableado del aislador galvánico y la barrera Zener incluidos en este documento.

El HMT370EX no incluye un aislador galvánico ni una barrera Zener. Se pueden pedir como accesorios opcionales a Vaisala.



**ADVERTENCIA** Los transmisores de la serie HMT370EX se han diseñado para usarse en ubicaciones peligrosas según lo especificado en la clasificación del producto. El personal que instala, usa o mantiene los transmisores HMT370EX es responsable de determinar el concepto de protección adecuado para la aplicación específica en la que lo utiliza y de que la clasificación de área peligrosa del dispositivo cumpla con los requisitos de la aplicación.



**ADVERTENCIA** Si el equipo se utiliza de una manera no especificada por Vaisala, la protección provista por el equipo puede verse afectada.

Los transmisores de la serie HMT370EX están certificados para usarse en áreas peligrosas, según lo definido por las siguientes clasificaciones:

Tabla 21 Clasificaciones de áreas peligrosas de la serie HMT370EX

Certificación	Clasificación HMT370EX
IECEX <sup>1)</sup> / ATEX <sup>2)</sup>	II 1 G Ex ia IIC T4 Ga II 1 D Ex ia IIIC T <sub>200</sub> 85 °C Da -40 °C ≤ T <sub>amb</sub> ≤ +60 °C

1) *Certificación internacional*

2) *Certificación de la UE*



**PRECAUCIONES** El personal que instala, opera y mantiene los transmisores HMT370EX debe tener las competencias requeridas para trabajar en la ubicación peligrosa, según lo definen los estándares aplicables.

Para obtener información sobre los estándares que se aplican al uso de HMT370EX, según la clasificación del dispositivo, consulte la documentación de certificación del producto y las declaraciones de conformidad relacionadas con HMT370EX en [www.vaisala.com/declarationofconformity](http://www.vaisala.com/declarationofconformity).

## 2.1 Pautas de uso seguro en condiciones peligrosas

### Descripción general de las piezas de la serie HMT370EX

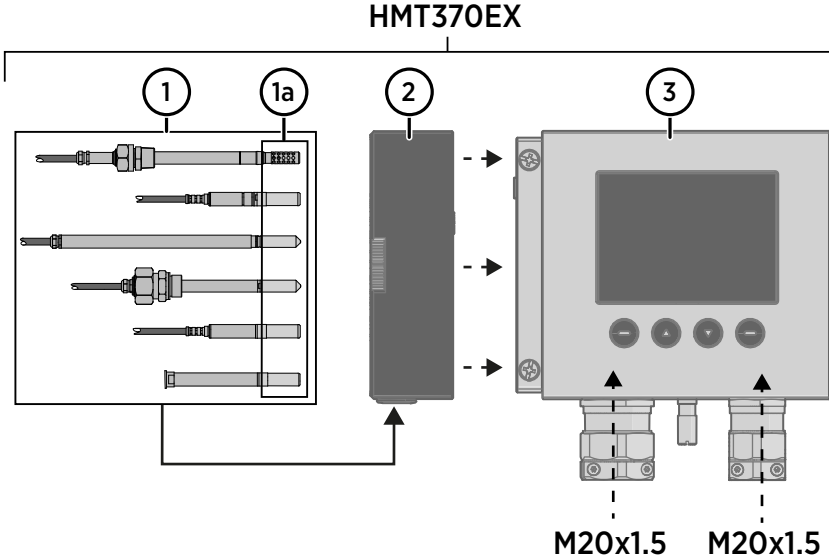


Figura 25 Descripción general de las piezas del HMT370EX

Los transmisores de la serie HMT370EX constan de 3 partes principales: el cuerpo del transmisor, un cuerpo de la sonda desmontable y un cabezal de la sonda conectado al cuerpo de la sonda, ya sea directamente o mediante un cable. [Figura 25 \(página 80\)](#) muestra las partes principales.

- 1 Cabezales de la sonda (para obtener descripciones de las variantes, consulte *HMT370EX User Guide*)
- 1a Filtros del cabezal de la sonda
- 2 Cuerpo de la sonda
- 3 Cuerpo del transmisor

Las diferentes variantes de los cabezales de la sonda están diseñadas para una amplia gama de aplicaciones y tienen sus propias especificaciones. Asegúrese de que el cuerpo del transmisor, el cuerpo de la sonda y el cabezal de la sonda estén ubicados en un entorno que coincida con las especificaciones de la pieza. Para conocer los rangos de temperatura ambiente permitidos, consulte [Tabla 22 \(página 81\)](#).



Tabla 22 Rangos de temperatura ambiente permitidos

Parte del equipo	Rango de temperatura ambiente permitido
Cuerpo del transmisor	-40 °C ... +60 °C
Cuerpo de la sonda	-40 °C ... +60 °C
Cabezal de la sonda HMP371	Clase de temperatura T4: -40 °C ... +60 °C
Cabezal de la sonda HMP373	<b>Versión de cable de goma:</b> Clase de temperatura T6: -40 °C ... +55 °C Clase de temperatura T5: -40 °C ... +80 °C <b>Versión de cable FEP:</b> Clase de temperatura T6: -40 °C ... +55 °C Clase de temperatura T5: -40 °C ... +100 °C Clase de temperatura T4: -40 °C ... +120 °C
Cabezales de la sonda HMP374, HMP375, HMP377, HMP378, HMP378F y HMP378H	Clase de temperatura T6: -70 °C ... +55 °C Clase de temperatura T5: -70 °C ... +100 °C Clase de temperatura T4: -70 °C ... +135 °C Clase de temperatura T3: -70 °C ... +180 °C

### 2.1.1 Condiciones de uso específicas



**PRECAUCIONES** Al instalar el equipo en áreas Zona 0 Grupo II, hay que asegurarse de que no se produzcan chispas debido a impacto o fricción.

#### Requisitos de cableado

- Los prensacables y los cables utilizados para el cableado del dispositivo no deben afectar la protección Ex.
  - Las conexiones pasantes sin usar deben sellarse con tapones aptos según Ex.

- Seleccione una opción de descarga de presión que se adapte a la aplicación (use prensacables que incluyan descarga de presión o instale abrazaderas separadas: consulte IEC 60079-14).



**PRECAUCIONES** Conecte solo los cables desenergizados. Nunca encienda la entrada del sistema de alimentación antes de completar el cableado y cerrar el cuerpo del transmisor.

### Seguridad intrínseca

La categoría de sobretensión de los transmisores HMT370EX I (equipo fuera de la red) y el grado de contaminación ambiental es 4, como se especifica en IEC 60664-1. Para conocer los parámetros de entrada intrínsecamente seguros, consulte [Tabla 23 \(página 82\)](#).

Tabla 23 Parámetros de entrada intrínsecamente seguros

Parámetro	Valor	Parámetros de entidad del equipo asociado
$U_i$	28 VCC	$U_o \leq U_i$
$I_i$	100 mA	$I_o \leq I_i$
$P_i$	700 mW	$P_o \leq P_i$
$C_i$	12,1 nF	Cable $C_o \geq C_i + C$
$L_i$	16 $\mu$ H	Cable $L_o \geq L_i + L$

### Usando puntos de prueba de salida analógica

Hay puntos de prueba para medir los voltajes y las corrientes de las salidas analógicas, que se ubican encima de cada bloque del terminal roscado como se muestra en [Figura 26 \(página 83\)](#). Para acceder a los puntos de prueba en la placa de componentes, es necesario abrir el compartimiento del transmisor.

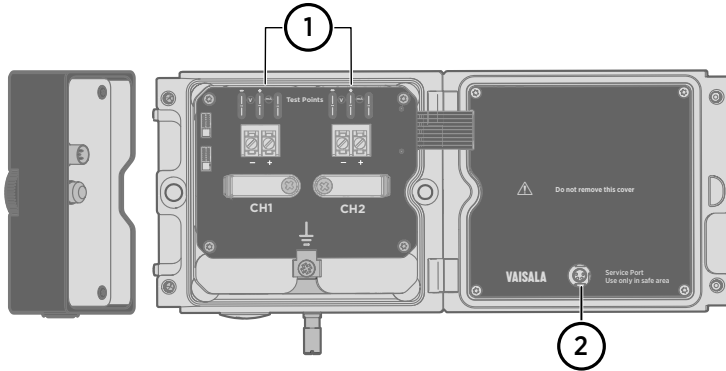


Figura 26 Ubicación de los puntos de prueba y el puerto de servicio

- 1 Puntos de prueba del multímetro para los canales de salida analógica 1 y 2
- 2 Puerto de servicio para conexión a PC



**PRECAUCIONES** La carcasa del cuerpo del transmisor no debe abrirse en un área con riesgo de explosión, a menos que se haya emitido un permiso de trabajo seguro de acuerdo con la norma IEC 60079-14. Retire el transmisor del área peligrosa antes de abrir el compartimiento o asegúrese de que se haya implementado un procedimiento de trabajo seguro que cumpla con IEC 60079-14 en el área peligrosa.

Utilice un multímetro intrínsecamente seguro que no haga que se excedan los parámetros de entrada intrínsecamente seguros que se enumeran en [Tabla 23 \(página 82\)](#) cuando esté conectado en serie (medición de corriente) o en paralelo (medición de voltaje) al aparato asociado.

#### Uso del puerto de servicio

El puerto de servicio (consulte [Figura 26 \(página 83\)](#)) solo se debe utilizar en una zona segura. Retire el transmisor del área peligrosa o asegúrese de que se haya implementado un procedimiento de trabajo seguro en el área peligrosa. Utilice únicamente el cable de conexión para PC de Vaisala con el puerto de servicio.

#### Mantenimiento

El usuario puede desmontar y reemplazar la sonda (incluye el cuerpo y el cabezal de la sonda). El usuario también puede reemplazar el filtro del cabezal de la sonda (consulte [Figura 25 \(página 80\)](#)). Para otros requisitos de mantenimiento, comuníquese con Vaisala.



**PRECAUCIONES** La sonda se puede quitar y cambiar cuando el HMT370EX está encendido. No se permite ningún otro mantenimiento en vivo, incluido el cambio del filtro del cabezal de la sonda.

El contenido de este capítulo se mantiene en el siguiente documento por separado con control de cambios:

ID del documento: M212506EN

Revisión: D (11 de octubre de 2021)

## 3 Partes del HMT370EX

### Partes externas



Los elementos de A a J se refieren a la página de ilustración de las piezas externas **1** al principio del documento. Los elementos de 1 a 7 se refieren a la página de ilustración de las piezas internas **2** al principio del documento.

Tabla 24 Partes externas

Item	Descripción
A	Cabezal de la sonda (para opciones de variantes de cabezal de la sonda HMP370EX, consulte <i>HMT370EX User Guide</i> )
B	Cuerpo de la sonda desmontable
C	Cuerpo del transmisor (consulte la tabla <i>Partes internas</i> )
D	Pantalla LCD (en modelo de pantalla opcional)
E	Mostrar los botones de interfaz de usuario (solo modelo con pantalla)
F	Almohadillas de pared (4 piezas)
G	Placa de montaje (opcional)
H	Rueda de bloqueo del cuerpo de la sonda
I	Terminal de conexión a tierra
J	Conexiones pasantes para cableado (para opciones de prensacables y conductos, consulte <i>HMT370EX User Guide</i> )

### Partes internas

Tabla 25 Partes internas

Item	Descripción
1	Agujeros para tornillos de montaje
2	Abrazaderas de sujeción de cables
3	Terminal de conexión a tierra del transmisor
4	Puerto de servicio del transmisor (M8, requiere un cable de conexión USB de Vaisala)
5	Puerto de servicio del cuerpo de la sonda (M12, requiere un cable de conexión USB de Vaisala)
6	Puntos de prueba del multímetro del canal de salida analógica 1 y 2 para corriente y voltaje

Item	Descripción
7	Terminales de tornillo para el cableado de los canales de salida analógica 1 y 2

## 4 Instalación y cableado



**ADVERTENCIA** La instalación debe llevarse a cabo en un área segura o debe asegurarse de que se haya implementado un procedimiento de trabajo seguro que cumpla con la norma IEC 60079-14 en el área peligrosa.



**ADVERTENCIA** Cuando el HMT370EX está encendido, la caja del transmisor no debe abrirse en un área peligrosa. La sonda se puede quitar y cambiar cuando el HMT370EX está encendido. No se permite ningún otro mantenimiento en vivo, incluido el cambio del filtro del cabezal de la sonda.

### 4.1 Preparaciones para la instalación

Antes de iniciar la instalación, compruebe lo siguiente:

- Asegúrese de que su lugar de instalación se adapte a la clasificación Ex del transmisor: consulte [Tabla 21 \(página 78\)](#).
- Revise la información sobre áreas peligrosas en [Pautas de uso seguro en condiciones peligrosas \(página 80\)](#) para obtener más información sobre los requisitos de seguridad Ex relacionados con HMT370EX y las condiciones específicas de uso.
- Revise los diagramas de cableado incluidos en este documento para obtener información sobre el cableado utilizando un aislador galvánico o una barrera Zener.
  - [Cableado con aisladores galvánicos \(página 92\)](#)
  - [Cableado con barreras Zener \(página 93\)](#)
- Al seleccionar los prescables y tapones para su aplicación, asegúrese de que sean aptos según Ex. Los prescables y enchufes deben ser herméticos al agua y al polvo.

#### Información de cableado



**ADVERTENCIA** La instalación protegida con aisladores galvánicos o barreras Zener es obligatoria en un entorno peligroso.



**PRECAUCIONES** Al planificar el cableado de su aplicación, tenga en cuenta que el canal 1 (CH1) siempre debe estar cableado. El transmisor recibe energía a través de los terminales de tornillo del Canal 1 y no se enciende si solo el Canal 2 (CH2) está cableado.



**PRECAUCIONES** Asegúrese de que el transmisor esté correctamente conectado. 12 VCC es el voltaje mínimo en todas las condiciones, medido en los terminales roscados del transmisor. Si la tensión de alimentación es inferior a 12 VCC, la corriente de salida analógica puede estar incorrecta.



Se recomienda utilizar casquillos en los cables pelados para ayudar a garantizar una conexión segura con los terminales roscados.

### Selección de conexión pasante y enchufes predeterminados

El HMT370EX se entrega con 2 tipos de enchufes diferentes en las conexiones pasantes del transmisor, como se muestra en [Figura 27 \(página 88\)](#).

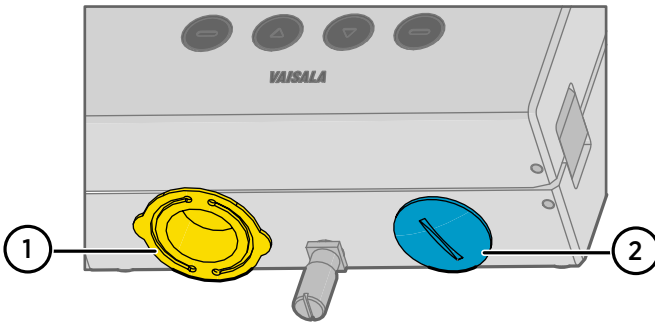


Figura 27 Enchufes predeterminados en las conexiones pasantes del HMT370EX

- 1 Cubierta de transporte de plástico desmontable: debe reemplazarse (doble los lados de la cubierta del transporte y extráigala)
- 2 Tapón de sellado de metal: Se puede utilizar en la instalación final

La cubierta de transporte de plástico (1) siempre debe reemplazarse con un prensacables, conducto o sello que cumpla con las normas Ex al realizar el cableado del HMT370EX. El tapón de sellado de metal (2) se puede dejar en su lugar y utilizar en la instalación final, si no se utiliza la conexión pasante derecha. Para ver las opciones de prensacables y conductos, consulte *HMT370EX User Guide*.



## 4.2 Instalación del HMT370EX



- Tornillos para montar el transmisor:
    - Instalación directamente a través del cuerpo del transmisor: 2 tornillos Ø 5,5 mm
    - Instalación con placa de montaje opcional: 4 tornillos Ø 5,5 mm y 2 tornillos Allen M6
  - Destornillador de cruz para tornillos cautivos de la cubierta del transmisor y terminales roscados de cableado
  - Destornillador de punta plana para el terminal de conexión a tierra
  - Prensacables, conductos y enchufes según se requiera en la aplicación y herramientas adecuadas para sujetarlos y apretarlos
  - Alicates para cortar alambres
- Opcional:**
- Herramienta de engarce y terminales
  - Llave Allen (5 mm) para rueda de bloqueo del cuerpo de la sonda
  - Multímetro compatible con Ex para probar salidas analógicas



Los pasos 1 a 7 se refieren a las ilustraciones 1 a 7, en las páginas de ilustraciones **3** y **4** al principio del documento.

- ▶ 1. Seleccione una superficie (por ejemplo, una pared) para instalar el transmisor. Puede montar el transmisor directamente en la superficie de instalación con 2 tornillos o usar una placa de montaje opcional que se fija a la parte posterior del transmisor.
  - a. Instalación sin placa de montaje: fije el cuerpo del transmisor directamente a la superficie de instalación con 2 tornillos Ø 5,5 mm. El orificio del tornillo de la izquierda tiene un espacio vertical adicional para ajustar la posición del transmisor después de haber colocado el tornillo de la derecha.
  - b. Instalación con placa de montaje: fije la placa de montaje a la superficie de instalación con 4 tornillos Ø 5,5 mm y luego fije el transmisor a la placa de montaje con 2 tornillos Allen M6.
2. Conecte los prensacables (1 o 2) a las conexiones pasantes de cableado según lo requiera la aplicación. Tenga en cuenta los requisitos de prensacables que se enumeran en las Pautas generales [Condiciones de uso específicas \(página 81\)](#).
  - Ambas conexiones pasantes tienen roscas M20 x 1,5.
  - Tape las posibles conexiones pasantes que no se utilizan con sellos aptos según Ex.
  - Los prensacables y enchufes deben ser herméticos al agua y al polvo.

3. Prepare el cableado según lo requiera la aplicación (cableado a través de conexiones pasantes 1 o 2).
  - a. Pele los cables: Se recomienda colocar casquillos en los extremos de contacto de los cables.
  - b. Abra el prensacables e inserte una longitud adecuada de cable dentro del transmisor a través del prensacables.
  - c. Apriete el prensacables: consulte las instrucciones de los casquillos que se utilizan en la aplicación para obtener la máxima hermeticidad.
  - d. Si su instalación no requiere el uso de ambas conexiones pasantes, tape la conexión pasante que no se utiliza con un sello apto según Ex.
4. Conecte el cableado del terminal roscado según lo requiera la aplicación. Para los diagramas de cableado de la instalación protegida, consulte [Cableado con aisladores galvánicos \(página 92\)](#) y [Cableado con barreras Zener \(página 93\)](#).
  - a. Abra las abrazaderas de sujeción de cables debajo de los terminales roscados y lleve los cables a los terminales a través de las abrazaderas.
  - b. Conecte los cables a los terminales roscados.



Tenga en cuenta que el canal 1 (CH1) siempre debe estar cableado. El transmisor recibe energía a través de los terminales roscados CH1 y no se enciende si solo está cableado el canal 2 (CH2).

- c. Ajuste la longitud de los cables y cierre las abrazaderas de sujeción de cables para que mantengan los cables en su lugar.

**Opcional:** Para obtener instrucciones sobre cómo probar el nivel de salida analógica con un multímetro, consulte [paso 8](#).

5. Cierre la cubierta del cuerpo del transmisor y apriete los tornillos cautivos y luego conecte el cuerpo de la sonda al transmisor.



Es suficiente apretar el cuerpo de la sonda con los dedos utilizando la rueda de bloqueo. Para evitar que el cuerpo de la sonda se desprenda sin herramientas, puede apretar más la rueda de bloqueo con una llave Allen (5 mm).

6. Monte el cabezal de la sonda en el área en la que desea medir.



Las sondas de la serie HMT370EX están diseñadas para una variedad de aplicaciones con diferentes requisitos de instalación. Para obtener instrucciones de instalación específicas de la sonda, consulte *HMT370EX User Guide*.

7. Conecte el terminal de conexión a tierra en la parte inferior del transmisor al elemento de conexión a tierra del sitio de instalación con un cable de conexión a tierra <sup>2</sup> de 4 mm. Después de conectar a tierra el transmisor, encienda la entrada de la fuente de alimentación.
8. **Opcional:** Si desea verificar el nivel de salida de los canales de salida analógica, pruebe la conexión de la siguiente manera:
  - a. Separe el cuerpo de la sonda y abra la cubierta del transmisor.
  - b. Conecte un multímetro a los puntos de prueba de mA ubicados sobre los terminales roscados de salida en la placa de componentes del transmisor (consulte la ilustración en la página **2** al principio del documento para conocer la ubicación de los terminales).



Utilice siempre un multímetro compatible con Ex. Los parámetros de salida del multímetro deben ser compatibles con los parámetros de entrada del transmisor.

- c. Inicie el modo de prueba de salida utilizando la interfaz de pantalla del transmisor o, si utiliza un transmisor sin pantalla, conectando el transmisor al software Insight para PC. Para obtener instrucciones sobre el uso del modo de prueba de salida con la interfaz de pantalla y el software Insight para PC, consulte *HMT370EX User Guide*.
- d. Después de verificar la salida, retire el multímetro, cierre la tapa del transmisor y vuelva a colocar el cuerpo de la sonda.

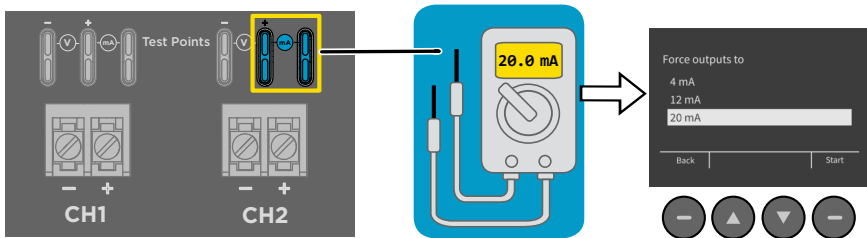


Figura 28 Descripción general del punto de prueba del multímetro



**PRECAUCIONES** El puerto de servicio (consulte [Figura 26 \(página 83\)](#)) solo se debe utilizar en una zona segura. Retire el transmisor del área peligrosa o asegúrese de que se haya implementado un procedimiento de trabajo seguro en el área peligrosa. Utilice únicamente el cable de conexión para PC de Vaisala con el puerto de servicio.

### 4.3 Cableado con aisladores galvánicos

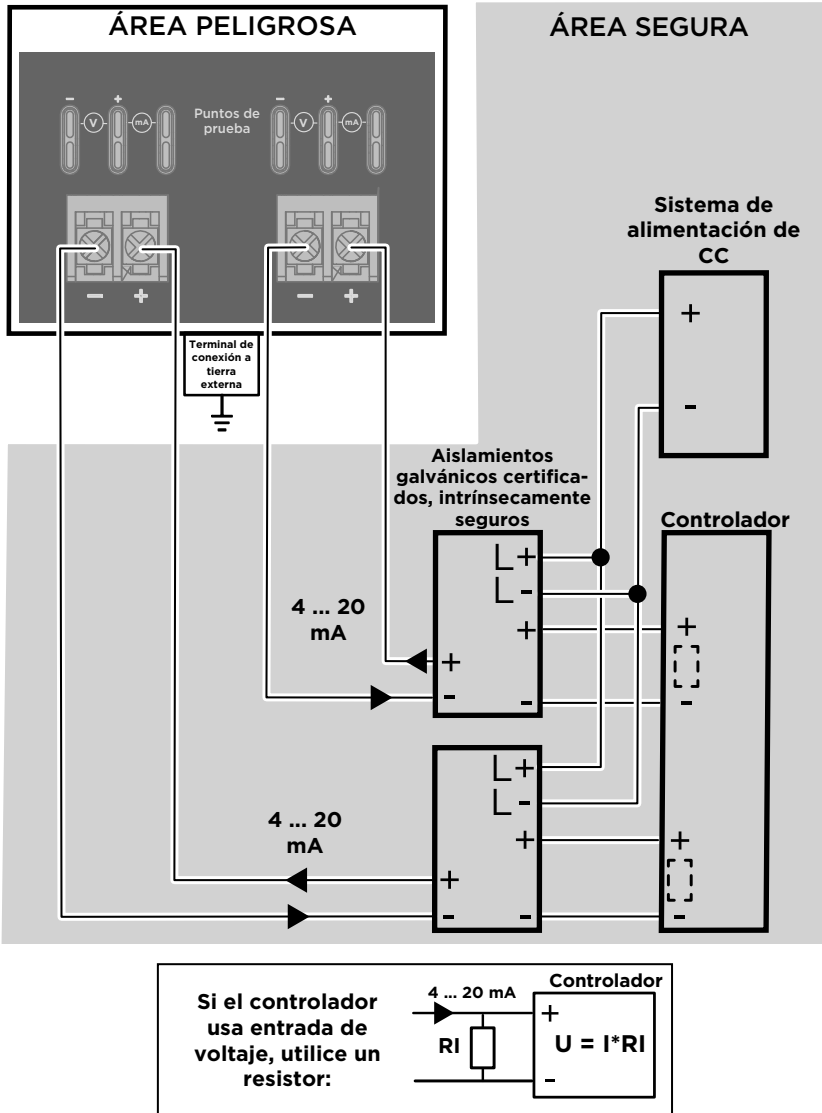


Figura 29 Diagrama de cableado con aisladores galvánicos

## 4.4 Cableado con barreras Zener

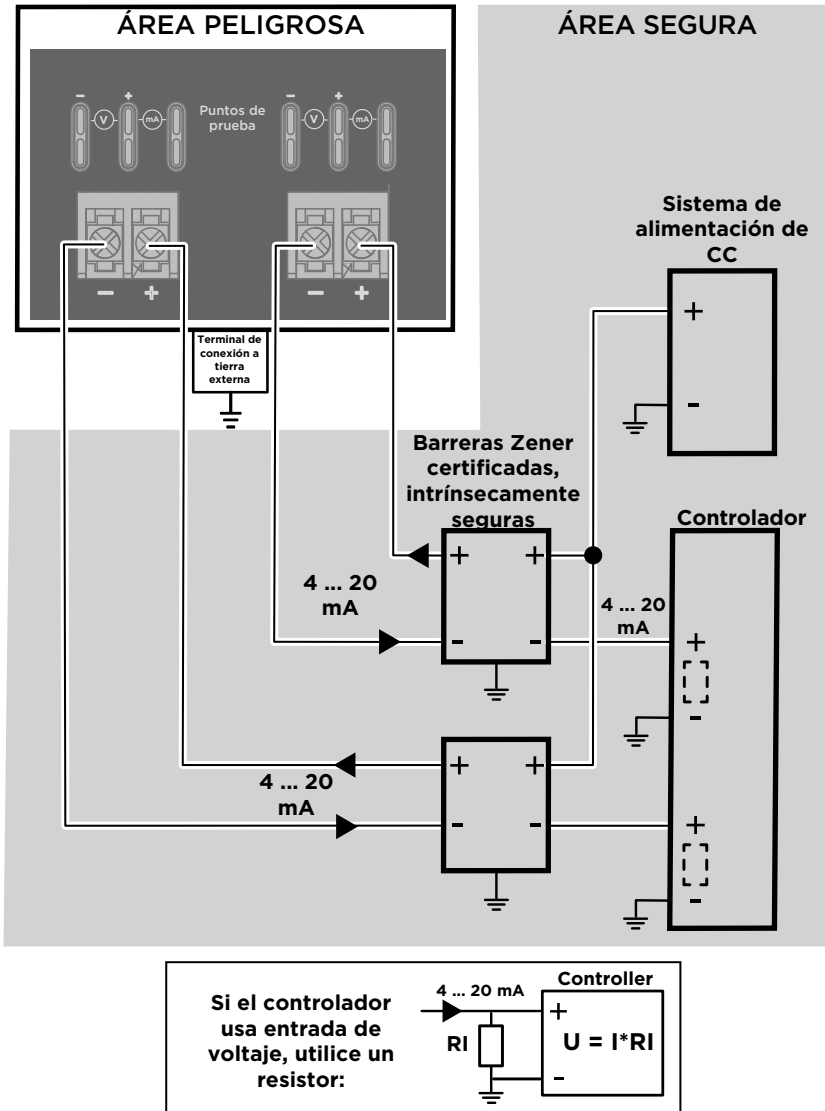


Figura 30 Diagrama de cableado con barreras Zener

## Servicios de mantenimiento y calibración



Vaisala ofrece atención integral al cliente durante todo el ciclo de vida de nuestros instrumentos y sistemas de medición. Nuestros servicios de fábrica se brindan en todo el mundo con entregas rápidas. Para obtener más información, consulte [www.vaisala.com/calibration](http://www.vaisala.com/calibration).

- La tienda en línea de Vaisala en [store.vaisala.com](http://store.vaisala.com) está disponible para la mayoría de los países. Puede examinar la oferta por modelo de producto y solicitar los accesorios, repuestos o servicios de mantenimiento y calibración adecuados.
- Para comunicarse con su experto local en mantenimiento y calibración, consulte [www.vaisala.com/contactus](http://www.vaisala.com/contactus).

## Garantía

Para obtener nuestros términos y condiciones estándar de garantía, consulte [www.vaisala.com/warranty](http://www.vaisala.com/warranty).

Tenga presente que dicha garantía puede perder su validez en caso de daño debido al desgaste normal, a condiciones de operación excepcionales, a manipulación o instalación negligente, o a modificaciones no autorizadas. Para conocer los detalles de la garantía de cada producto, consulte el contrato de suministro o las condiciones de venta correspondientes.

## Soporte técnico



Comuníquese con el soporte técnico de Vaisala en [helpdesk@vaisala.com](mailto:helpdesk@vaisala.com). Proporcione, al menos, la siguiente información complementaria, según corresponda:

- Nombre del producto, modelo y número de serie
- Versión de software y firmware
- Nombre y ubicación del lugar de instalación
- Nombre e información de contacto del técnico que pueda proporcionar más información sobre el problema

Para obtener más información, consulte el [www.vaisala.com/support](http://www.vaisala.com/support).

## Reciclaje



Recicle todo el material que corresponda.



Siga las normas establecidas para desechar el producto y el empaque.





# 1 Introdução à série HMT370EX

O transmissor de umidade e temperatura HUMICAP® da Vaisala da série HMT370EX é a solução ideal para medir a umidade em áreas perigosas. Intrinsecamente seguro e robusto, o HMT370EX opera com segurança e confiabilidade mesmo nas áreas mais perigosas, como a Zona 0. Os transmissores HMT370EX podem ser usados como substitutos para a série de transmissores HMT360 de longa duração em todas as aplicações do HMT360.

O HMT370EX pode ser instalado diretamente em áreas explosivas. Ele pode suportar a exposição contínua a ambientes potencialmente explosivos que contêm gases ou poeira inflamáveis e não requer invólucros de proteção adicionais para operação em ambientes com gás ou poeira.

O HMT370EX oferece várias opções de sonda para diferentes aplicações. Graças ao módulo de sonda destacável, as sondas podem ser facilmente substituídas e removidas para calibração fora da área de risco sem remover o transmissor inteiro.

O transmissor tem dois canais de saída de corrente analógica (4 – 20 mA) para conexão por meio de barreiras de segurança. Para acesso fácil às funcionalidades de configuração, diagnóstico, calibração e ajuste, a sonda e o corpo do transmissor podem ser conectados ao software Vaisala Insight para PC para serem configurados juntos como uma unidade ou separadamente.

## 1.1 Opções e recursos básicos

- Parâmetros de medição disponíveis: umidade relativa (UR) e temperatura (T)
  - Os parâmetros de medição calculados incluem <sup>1)</sup>: temperatura do ponto de orvalho, temperatura de bulbo úmido, umidade absoluta, taxa de mistura, concentração de água, fração da massa de água, pressão do vapor de água, entalpia e/ou umidade de óleo/combustível com modelos especiais
- Classificação Ex: certificação IECEx e ATEX para uso em ambientes de Zona 0 e Zona 20: para classificações Ex completas, consulte [Tabela 26 \(página 98\)](#).
- 2 saídas analógicas (4 ... 20 mA, expansíveis, isoladas)
- Opções de visor: visor gráfico LCD ou modelo sem visor
- Entrada da fonte de alimentação: 12 ... 28 V
- Compatível com o software Vaisala Insight para PC

## 1.2 Mais informações

Para obter informações adicionais sobre uso, configuração e manutenção do transmissor após a instalação, consulte *HMT370EX User Guide* (disponível em [www.vaisala.com/HMT370EX](http://www.vaisala.com/HMT370EX)).

1) *Parâmetros calculados adicionais disponíveis: consulte as informações do produto em [vaisala.com](http://vaisala.com)*

## 2 Uso de transmissores série HMT370EX em locais perigosos



**AVISO** A instalação protegida usando isoladores galvânicos ou barreiras Zener é obrigatória em ambientes perigosos.

Em ambientes perigosos, sempre conecte os transmissores por meio de isoladores galvânicos ou barreiras Zener. Um isolador galvânico ou barreira Zener também deve ser usado quando o transmissor e o corpo da sonda estiverem em uma área segura, mas a cabeça da sonda estiver instalada em um ambiente perigoso. Para obter informações sobre a fiação, consulte os diagramas de fiação do isolador galvânico e da barreira Zener incluídos neste documento.

O HMT370EX não inclui um isolador galvânico ou uma barreira Zener. Ele pode ser pedido como acessórios opcionais da Vaisala.



**AVISO** Os transmissores série HMT370EX foram desenvolvidos para serem usados em locais perigosos conforme especificado pela classificação do produto. Os profissionais responsáveis pela instalação, utilização ou manutenção dos transmissores HMT370EX são responsáveis por determinar o conceito de proteção apropriado para cada aplicação específica em que o HMT370EX é usado, bem como por garantir que a classificação do dispositivo atenda aos requisitos da aplicação.



**AVISO** Caso o equipamento seja usado de maneira não especificada pela Vaisala, a proteção oferecida por ele pode ser prejudicada.

Os transmissores HMT370EX são certificados para uso em áreas perigosas, conforme definido pelas seguintes classificações:

Tabela 26 Classificações de áreas perigosas da série HMT370EX

Certificação	Classificação HMT370EX
<sup>1)</sup> IECEx/ <sup>2)</sup> ATEX	II 1 G Ex ia IIC T4 Ga II 1 D Ex ia IIIC T <sub>200</sub> 85 °C Da -40 °C ≤ T <sub>amb</sub> ≤ +60 °C

1) *Certificação internacional*

2) *Certificação da UE*



**ATENÇÃO** Os profissionais responsáveis pela instalação, operação e manutenção dos transmissores HMT370EX devem possuir as competências necessárias para trabalhar em locais perigosos, conforme definido pelas normas vigentes.

Para obter informações sobre as normas vigentes para o uso do HMT370EX com base na classificação do dispositivo, consulte a documentação de certificação do HMT370EX e as declarações de conformidade relacionadas a ele em [www.vaisala.com/declarationofconformity](http://www.vaisala.com/declarationofconformity).

## 2.1 Diretrizes de uso seguro em condições perigosas

### Visão geral das partes da série HMT370EX

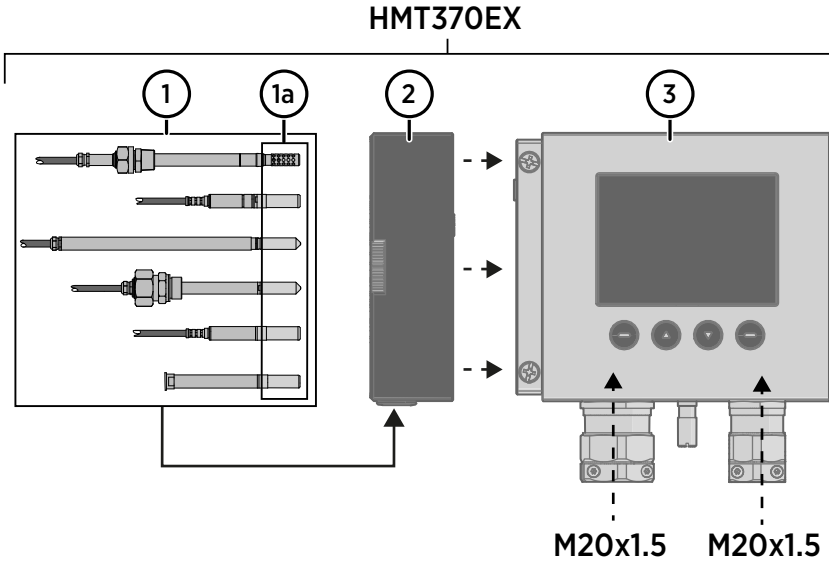


Figura 31 Visão geral das partes do HMT370EX

Os transmissores da série HMT370EX consistem em 3 partes principais: o corpo do transmissor, um corpo da sonda destacável e uma cabeça da sonda conectada ao corpo da sonda, diretamente ou por meio de um cabo. A [Figura 31 \(página 100\)](#) mostra as partes principais.

- 1 Cabeças de sonda (para descrições de variantes, consulte *HMT370EX User Guide*)
- 1a Filtros de cabeça da sonda
- 2 Corpo da sonda
- 3 Corpo do transmissor

As diferentes variantes de cabeça da sonda são projetadas para diversas aplicações e têm suas próprias especificações. Certifique-se de que o corpo do transmissor, o corpo da sonda e a cabeça da sonda sejam colocados em um ambiente que corresponda às especificações da peça. Para as faixas de temperatura ambiente permitidas, consulte [Tabela 27 \(página 101\)](#).

Tabela 27 Faixas de temperatura ambiente permitidas

Parte do equipamento	Faixa de temperatura ambiente permitida
Corpo do transmissor	-40 °C ... +60 °C
Corpo da sonda	-40 °C ... +60 °C
Cabeça da sonda HMP371	Classe de temperatura T4: -40 °C ... +60 °C
Cabeça da sonda HMP373	<b>Versão do cabo de borracha:</b> Classe de temperatura T6: -40 °C ... +55 °C Classe de temperatura T5: -40 °C ... +80 °C <b>Versão do cabo FEP:</b> Classe de temperatura T6: -40 °C ... +55 °C Classe de temperatura T5: -40 °C ... +100 °C Classe de temperatura T4: -40 °C ... +120 °C
Cabeças de sonda HMP374, HMP375, HMP377, HMP378, HMP378F e HMP378H	Classe de temperatura T6: -70 °C ... +55 °C Classe de temperatura T5: -70 °C ... +100 °C Classe de temperatura T4: -70 °C ... +135 °C Classe de temperatura T3: -70 °C ... +180 °C

## 2.1.1 Condições específicas de uso



**ATENÇÃO** Com a instalação do equipamento na área da Zona 0 Grupo II, deve-se garantir que não ocorram faíscas por impacto ou atrito.

### Requisitos de fiação

- Os prensa-cabos e os cabos usados para conectar o dispositivo não devem prejudicar a proteção Ex.
  - Passagens de cabo não usadas devem ser vedadas com o uso de plugs compatíveis com a certificação Ex.
- Selecione uma opção de alívio de tensão compatível com a aplicação (use prensa-cabos equipados com alívios de tensão ou instale garras separadas: consulte a norma IEC 60079-14).



**ATENÇÃO** Conecte somente fios desenergizados. Nunca ligue a entrada da fonte de alimentação antes de concluir a fiação e fechar o corpo do transmissor.

### Segurança intrínseca

A categoria de sobretensão dos transmissores HMT370EX é I (equipamento não conectado diretamente à rede elétrica) e o grau de poluição do ambiente é 4, conforme especificado em IEC 60664-1. Para obter os parâmetros de entrada de segurança intrínseca, consulte [Tabela 28 \(página 102\)](#).

Tabela 28 Parâmetros de entrada intrinsecamente seguros

Parâmetro	Valor	Parâmetros de entidade de aparelho associado
$U_i$	28 VCC	$U_o \leq U_i$
$I_i$	100 mA	$I_o \leq I_i$
$P_i$	700 mW	$P_o \leq P_i$
$C_i$	12.1 nF	Cabo $C_o \geq C_i + C$
$L_i$	16 $\mu$ H	Cabo $L_o \geq L_i + L$

### Usando pontos de teste de saída analógica

Existem pontos de teste para medir as tensões e correntes das saídas analógicas, localizadas acima de cada bloco de terminal de parafusos, conforme mostrado em [Figura 32 \(página 103\)](#). O acesso aos pontos de teste na placa do componente requer a abertura do invólucro do transmissor.

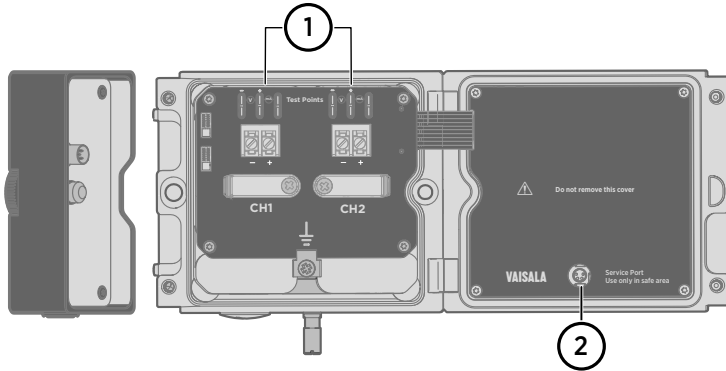


Figura 32 Localização dos pontos de teste e porta de serviço

- 1 Pontos de teste de multímetro para canais de saída analógica 1 e 2
- 2 Porta de serviço para conexão de PC



**ATENÇÃO** O invólucro do corpo do transmissor não deve ser aberto em uma área com risco de explosão, a menos que uma permissão de trabalho seguro tenha sido emitida de acordo com o padrão IEC 60079-14. Remova o transmissor da área de risco antes de abrir o invólucro ou certifique-se de que um procedimento de trabalho seguro em conformidade com a IEC 60079-14 tenha sido implementado na área de risco.

Use um multímetro intrinsecamente seguro que não excederá os parâmetros de entrada intrinsecamente seguros listados em [Tabela 28 \(página 102\)](#) quando estiver conectado em série (medição de corrente) ou paralelo (medição de tensão) ao aparelho associado.

#### Uso da porta de serviço

A porta de serviço (consulte [Figura 32 \(página 103\)](#)) deve ser usada apenas em uma área segura. Remova o transmissor da área de risco ou certifique-se de que um procedimento de trabalho seguro tenha sido implementado na área de risco. Use apenas o cabo de conexão de PC acessório da Vaisala com a porta de serviço.

#### Manutenção

A sonda (inclui corpo e cabeça da sonda) pode ser removida e substituída pelo usuário. O filtro da cabeça da sonda (consulte [Figura 31 \(página 100\)](#)) também pode ser substituído pelo usuário. Para outros requisitos de manutenção, entre em contato com a Vaisala.



**ATENÇÃO** A sonda pode ser removida e trocada quando o HMT370EX é ligado. Nenhuma outra manutenção presencial, incluindo a troca do filtro da cabeça da sonda, é permitida.

O conteúdo neste capítulo é mantido no seguinte documento controlado separadamente:	
---	--

ID do documento: M212506EN	Revisão: D (11 de outubro de 2021)
----------------------------	------------------------------------



## 3 Componentes do HMT370EX

### Peças externas



Os itens A ... J referem-se à página de ilustração das peças externas **1** no início do documento. Os itens 1 ... 7 referem-se à página de ilustração das peças internas **2** no início do documento.

Tabela 29 Peças externas

Item	Descrição
A	Cabeça da sonda (para opções de variante da cabeça da sonda do HMP370EX, consulte <i>HMT370EX User Guide</i> )
B	Corpo da sonda destacável
C	Corpo do transmissor (consulte a tabela <i>Peças internas</i> )
D	Visor LCD (no modelo de visor opcional)
E	Botões da interface do usuário do visor (apenas modelo de visor)
F	Bases de parede (4 unidades)
G	Placa de montagem (opcional)
H	Roda de bloqueio do corpo da sonda
I	Terminal de aterramento
J	Condutores para fiação (para opções de prensa-cabo e conduíte, consulte <i>HMT370EX User Guide</i> )

### Peças internas

Tabela 30 Peças internas

Item	Descrição
1	Furos para parafusos de montagem
2	Grampos de fixação de cabos
3	Terminal de aterramento do transmissor
4	Porta de serviço do transmissor (M8, requer cabo de conexão USB da Vaisala)
5	Porta de serviço do corpo da sonda (M12, requer cabo de conexão USB da Vaisala)
6	Pontos de teste do multímetro do canal de saída analógica 1 e 2 para corrente e tensão
7	Terminais de parafusos para fiação dos canais de saída analógica 1 e 2

## 4 Instalação e fiação



**AVISO** A instalação deve ser realizada em uma área segura, ou você deve garantir que um procedimento de trabalho seguro compatível com IEC 60079-14 tenha sido implementado na área de risco.



**AVISO** Quando o HMT370EX é ligado, o invólucro do transmissor não deve ser aberto em uma área de risco. A sonda pode ser removida e trocada quando o HMT370EX é ligado. Nenhuma outra manutenção presencial, incluindo a troca do filtro da cabeça da sonda, é permitida.

### 4.1 Preparativos para instalação

Antes de iniciar a instalação, verifique o seguinte:

- Certifique-se de que o local de instalação atenda à classificação Ex do transmissor: consulte a seção [Tabela 26 \(página 98\)](#).
- Revise as informações da área de risco em [Diretrizes de uso seguro em condições perigosas \(página 100\)](#) para obter mais informações sobre os requisitos de segurança Ex relacionados ao HMT370EX e condições específicas de uso.
- Revise os diagramas de fiação incluídos neste documento para obter informações sobre a fiação usando um isolador galvânico ou uma barreira Zener.
  - [Fiação com isoladores galvânicos \(página 111\)](#)
  - [Fiação com barreiras Zener \(página 112\)](#)
- Ao selecionar prensa-cabos e plugues para sua aplicação, certifique-se de que eles sejam compatíveis com a certificação Ex. Os prensa-cabos e os plugues devem ser resistentes à água e ao pó.

#### Informações de fiação



**AVISO** A instalação protegida usando isoladores galvânicos ou barreiras Zener é obrigatória em ambientes perigosos.



**ATENÇÃO** Ao planejar a fiação de sua aplicação, observe que o Canal 1 (CH1) deve sempre ser conectado. O transmissor recebe energia pelos terminais de parafusos do Canal 1 e não liga se apenas o Canal 2 (CH2) estiver conectado.



**ATENÇÃO** Certifique-se de que o transmissor esteja ligado corretamente. 12 VCC é a tensão mínima em todas as condições, medida nos terminais de parafusos do transmissor. Se a tensão de alimentação for inferior a 12 VCC, a corrente de saída analógica pode estar errada.



Recomenda-se o uso de terminais tubulares nos fios desencapados para ajudar a garantir uma conexão segura com os terminais de parafusos.

### Seleção de passagem de cabo e plugues padrão

O HMT370EX é fornecido com dois tipos de plugues diferentes nas passagens de cabo do transmissor, conforme mostrado em [Figura 33 \(página 107\)](#).

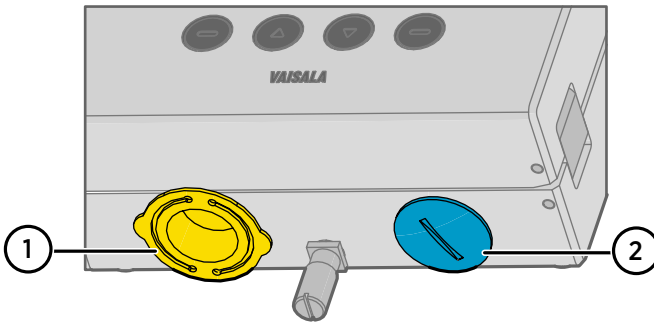


Figura 33 Plugues padrão em passagens de cabo do HMT370EX

- 1 Tampa de transporte de plástico removível: deve ser substituída (dobre os lados da tampa de transporte juntos e puxe para fora)
- 2 Tampão de vedação de metal: pode ser usado na instalação final

A tampa de transporte de plástico (1) deve sempre ser substituída por um prensa-cabo, conduíte ou vedação compatível com Ex ao conectar o HMT370EX. O tampão de vedação de metal (2) pode ser deixado no lugar e usado na instalação final, se a passagem de cabo do lado direito não for usada. Consulte *HMT370EX User Guide* para obter informações sobre o prensa-cabo e os conduítes.

## 4.2 Instalação do HMT370EX



- Parafusos para montagem do transmissor:
    - Instalação diretamente pelo corpo do transmissor: 2 parafusos de Ø 5,5 mm
    - Instalação com placa de montagem opcional: 4 parafusos de Ø 5,5 mm e 2 parafusos Allen M6
  - Chave de fenda Philips para parafusos prisioneiros da tampa do transmissor e terminais de parafusos de fiação
  - Chave de fenda de cabeça plana para o terminal de aterramento
  - Prensa-cabos, conduítes e plugues conforme necessário em sua aplicação e ferramentas adequadas para fixá-los e apertá-los
  - Alicates corta-fios
- Opcional:**
- Ferramenta de crimpagem e terminais de arame
  - Chave Allen (5 mm) para roda de bloqueio do corpo da sonda
  - Multímetro compatível com Ex para testar saídas analógicas



As etapas 1 ... 7 referem-se às ilustrações 1 ... 7 nas páginas de ilustração **3** e **4** no início do documento.

- ▶ 1. Selecione uma superfície (por exemplo, uma parede) para instalar o transmissor. Você pode montar o transmissor diretamente na superfície de instalação com dois parafusos ou usar uma placa de montagem opcional que se conecta à parte traseira do transmissor.
  - a. Instalação sem placa de montagem: prenda o corpo do transmissor diretamente na superfície de instalação com dois parafusos de Ø 5,5 mm. O orifício do parafuso do lado esquerdo tem um espaço vertical extra para ajustar a posição do transmissor depois de prender o parafuso do lado direito.
  - b. Instalação com placa de montagem: prenda a placa de montagem na superfície de instalação com quatro parafusos de Ø 5,5 mm e, a seguir, prenda o transmissor na placa de montagem com dois parafusos Allen M6.
2. Prenda os prensa-cabos (1 ou 2) nas passagens de cabo da fiação conforme exigido em sua aplicação. Observe os requisitos de prensa-cabo listados em [Condições específicas de uso \(página 101\)](#).
  - As duas passagens de cabo têm roscas M20x1,5.
  - Tampe possíveis passagens de cabo não utilizadas com vedações em conformidade com Ex.
  - Os prensa-cabos e os plugues devem ser resistentes à água e ao pó.

3. Prepare os fios de cabeamento conforme necessário em sua aplicação (cabeamento por meio de 1 ou 2 passagens de cabo).
  - a. Desencape os fios do cabo: recomenda-se fixar terminais de contato nas extremidades de contato dos fios.
  - b. Abra o prensa-cabo e insira um comprimento adequado de cabo dentro do transmissor por meio do prensa-cabo.
  - c. Aperte o prensa-cabo: consulte as instruções dos prensa-cabos usados em sua aplicação para o aperto máximo.
  - d. Se sua instalação não exigir o uso das duas passagens de cabo, conecte a passagem de cabo não utilizada com uma vedação compatível com Ex.
4. Conecte a fiação do terminal de parafusos conforme necessário em sua aplicação. Para diagramas de fiação de instalação protegida, consulte [Fiação com isoladores galvânicos \(página 111\)](#) e [Fiação com barreiras Zener \(página 112\)](#).
  - a. Abra as braçadeiras de fixação dos cabos abaixo dos terminais de parafusos e passe os cabos aos terminais pelas braçadeiras.
  - b. Conecte os fios aos terminais de parafusos.



Observe que o Canal 1 (CH1) deve sempre ser conectado. O transmissor recebe energia por meio dos terminais de parafusos do CH1 e não liga se apenas o Canal 2 (CH2) estiver conectado.

- c. Ajuste o comprimento dos fios e feche as braçadeiras de fixação dos cabos para que prendam os cabos no lugar.
- Opcional:** para obter instruções sobre como testar o nível de saída analógica com um multímetro, consulte [etapa 8](#).
5. Feche a tampa do corpo do transmissor e aperte os parafusos prisioneiros e, em seguida, prenda o corpo da sonda no transmissor.



É suficiente apertar o corpo da sonda com os dedos com a roda de bloqueio. Para evitar o desprendimento do corpo da sonda sem ferramentas, você pode apertar ainda mais a roda de bloqueio com uma chave Allen (5 mm).

6. Monte a cabeça da sonda na área que deseja medir.



As sondas da série HMT370EX são projetadas para várias aplicações com diferentes requisitos de instalação. Para obter instruções de instalação específicas da sonda, consulte *HMT370EX User Guide*.

7. Conecte o terminal de aterramento na parte inferior do transmissor ao elemento de aterramento do local de instalação com um fio de aterramento de 4 mm<sup>2</sup>. Depois de aterrar o transmissor, ligue a entrada da fonte de alimentação.

8. **Opcional:** se você quiser verificar o nível de saída dos canais de saída analógica, teste a conexão da seguinte forma:
- Retire o corpo da sonda e abra a tampa do transmissor.
  - Conecte um multímetro aos pontos de teste de mA localizados acima dos terminais de parafusos de saída na placa de componente do transmissor (consulte a página de ilustração **2** no início do documento para ver a localização dos terminais).
- i** Sempre use um multímetro compatível com Ex. Os parâmetros de saída do multímetro devem ser compatíveis com os parâmetros de entrada do transmissor.
- Inicie o modo de teste de saída usando a interface do visor do transmissor ou, se estiver usando um transmissor sem visor, conectando o transmissor ao software Insight para PC. Para obter instruções sobre como usar o modo de teste de saída com a interface do visor e o software Insight PC, consulte *HMT370EX User Guide*.
  - Após verificar a saída, remova o multímetro, feche a tampa do transmissor e reconecte o corpo da sonda.

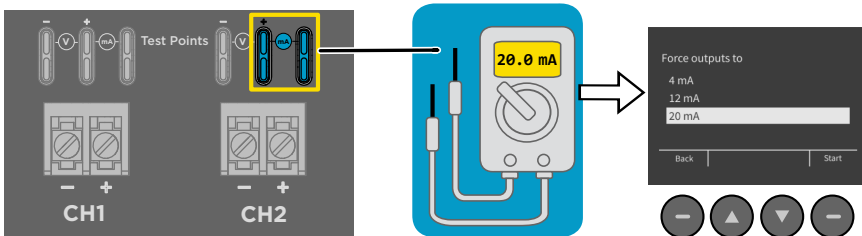


Figura 34 Visão geral do ponto de teste do multímetro



**ATENÇÃO** A porta de serviço (consulte [Figura 32 \(página 103\)](#)) deve ser usada apenas em uma área segura. Remova o transmissor da área de risco ou certifique-se de que um procedimento de trabalho seguro tenha sido implementado na área de risco. Use apenas o cabo de conexão de PC acessório da Vaisala com a porta de serviço.

### 4.3 Fiação com isoladores galvânicos

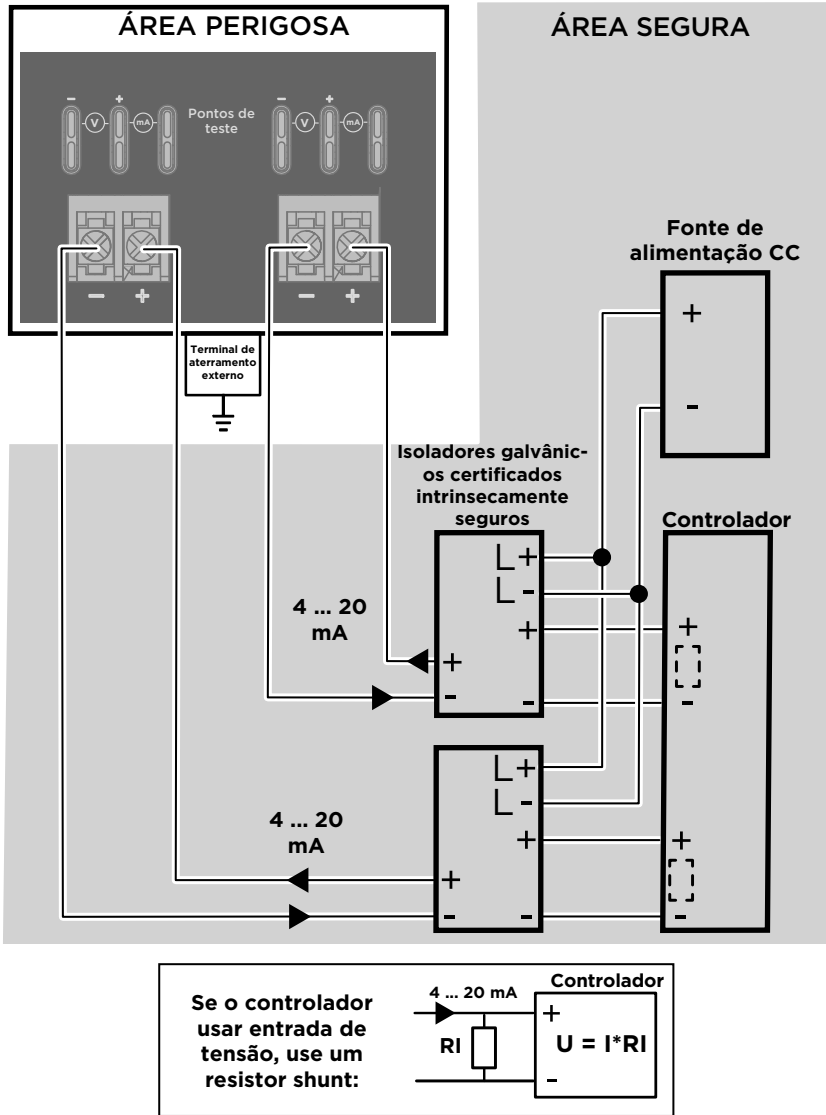


Figura 35 Diagrama de fiação com isoladores galvânicos

## 4.4 Fiação com barreiras Zener

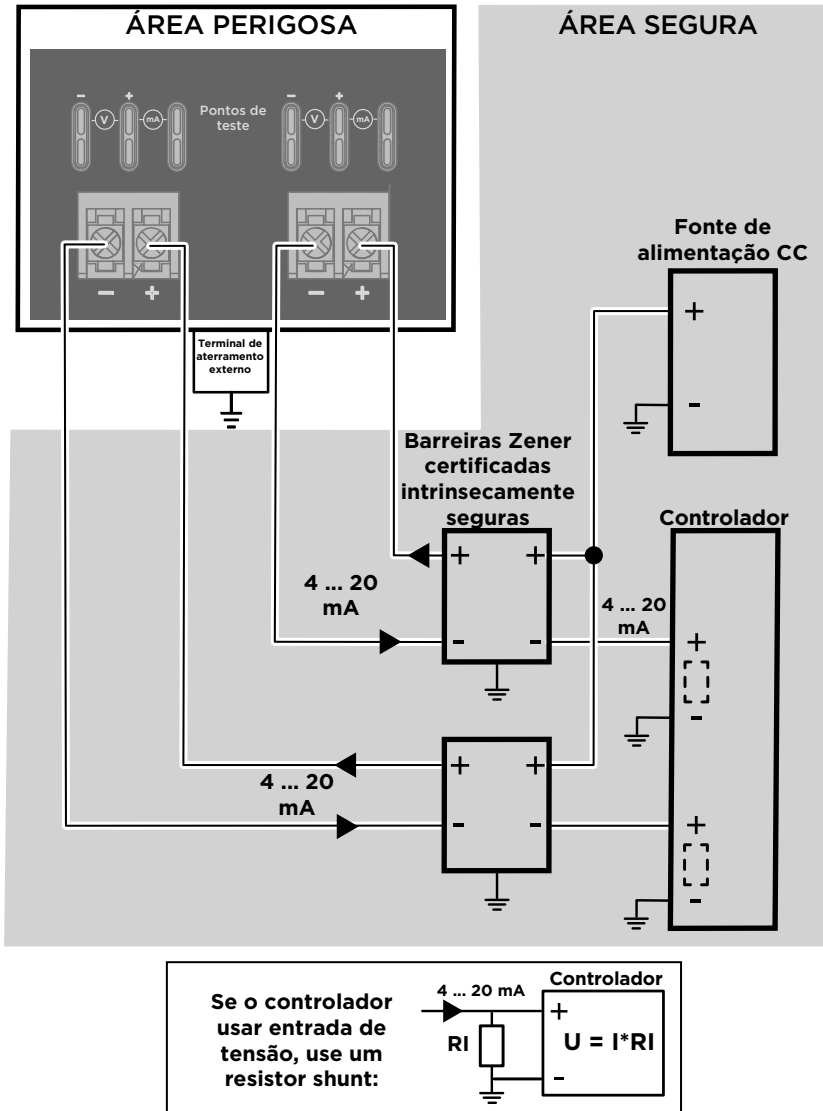


Figura 36 Diagrama de fiação com barreiras Zener



## Serviços de manutenção e calibração



A Vaisala oferece atendimento abrangente ao cliente durante todo o ciclo de vida de nossos instrumentos e sistemas de medição. Nossos serviços de fábrica são fornecidos em todo o mundo com entregas rápidas. Para obter mais informações, consulte [www.vaisala.com/calibration](http://www.vaisala.com/calibration).

- A Loja on-line da Vaisala em [store.vaisala.com](http://store.vaisala.com) está disponível para a maioria dos países. Você pode navegar pelas ofertas por modelo de produto e solicitar os acessórios, peças sobressalentes ou serviços de manutenção e calibração corretos.
- Para entrar em contato com o especialista local em manutenção e calibração, consulte [www.vaisala.com/contactus](http://www.vaisala.com/contactus).

## Garantia

Para obter os termos e condições de garantia padrão, consulte [www.vaisala.com/warranty](http://www.vaisala.com/warranty).

Observe que essa garantia poderá não ser válida em caso de danos resultantes da utilização e desgaste normais, condições de funcionamento excepcionais, manuseio ou instalação negligentes ou modificações não autorizadas. Consulte o contrato de fornecimento ou as Condições de venda aplicáveis para obter detalhes relativos à garantia de cada produto.

## Suporte técnico



Para entrar em contato com o suporte técnico da Vaisala, acesse [helpdesk@vaisala.com](mailto:helpdesk@vaisala.com). Forneça as seguintes informações de suporte, conforme aplicável:

- Nome, modelo e número de série do produto
- Versão do firmware/software
- Nome e endereço do local de instalação
- Nome e informações de contato de um técnico que possa fornecer informações adicionais sobre o problema

Para obter mais informações, consulte [www.vaisala.com/support](http://www.vaisala.com/support).

## Reciclagem



Recicle todos os materiais aplicáveis.



Cumpra as normas legais aplicáveis ao descarte do produto e da embalagem.

# 1 Introduzione alla serie HMT370EX

Il trasmettitore di umidità e temperatura HUMICAP® serie HMT370EX di Vaisala è la soluzione ideale per misurare l'umidità in aree pericolose. Robusto e a sicurezza intrinseca, il trasmettitore HMT370EX funziona in modo sicuro e affidabile anche nelle aree più pericolose, come la Zona 0. I trasmettitori HMT370EX di nuova generazione possono essere utilizzati in sostituzione alla serie di trasmettitori di lungo corso HMT360 in tutte le applicazioni previste per l'HMT360.

L'HMT370EX può essere installato direttamente in aree esplosive. È in grado di resistere all'esposizione continua ad ambienti potenzialmente esplosivi che contengono gas o polvere infiammabili e non richiede alloggiamenti protettivi aggiuntivi per il funzionamento in ambienti in cui sono presenti gas o polvere.

L'HMT370EX offre varie opzioni per le sonde per diverse applicazioni. Grazie al modulo a sonda rimovibile, le sonde possono essere facilmente sostituite e rimosse per la calibrazione al di fuori dell'area pericolosa, senza dover rimuovere l'intero trasmettitore.

Il trasmettitore dispone di 2 canali di uscita in corrente analogica (4 - 20 mA) per il collegamento tramite barriere di sicurezza. Per un facile accesso alla configurazione, alla diagnostica e alle funzionalità di calibrazione e regolazione, la sonda e il corpo del trasmettitore possono essere collegati al software Insight per PC di Vaisala per la configurazione, sia come unità unica che separatamente.

## 1.1 Caratteristiche di base e opzioni

- Parametri di misura disponibili: Umidità relativa (RH) e temperatura (T)
  - I parametri di misura calcolati includono <sup>1)</sup>: temperatura del punto di rugiada, temperatura del bulbo umido, umidità assoluta, rapporto di mescolamento, concentrazione dell'acqua, frazione della massa d'acqua, pressione del vapore acqueo, entalpia e umidità dell'olio/del carburante con modelli speciali.
- Classificazione Ex: Certificato IECEx e ATEX per l'uso in ambienti classificati come Zona 0 e Zona 20: per le classificazioni Ex complete, vedere [Tabella 31 \(pagina 116\)](#).
- 2 uscite analogiche (4 ... 20 mA, scalabili, isolate)
- Opzioni di visualizzazione: display LCD grafico o modello senza display
- Ingresso alimentazione: 12 ... 28 V
- Compatibile con il software per PC Insight di Vaisala

## 1.2 Ulteriori informazioni

Per ulteriori informazioni sull'utilizzo, sulla configurazione e sulla manutenzione del trasmettitore dopo l'installazione, fare riferimento alla *HMT370EX User Guide* (disponibile all'indirizzo [www.vaisala.com/HMT370EX](http://www.vaisala.com/HMT370EX)).

1) *Ulteriori parametri calcolati disponibili: fare riferimento alle informazioni sul prodotto all'indirizzo [vaisala.com](http://www.vaisala.com)*

## 2 Utilizzo dei trasmettitori della serie HMT370EX in aree pericolose



**AVVERTIMENTO** Negli ambienti pericolosi, l'installazione protetta mediante isolatori galvanici o barriere Zener è obbligatoria.

Negli ambienti pericolosi, collegare sempre i trasmettitori tramite isolatori galvanici o barriere Zener. È necessario utilizzare anche un isolatore galvanico o una barriera Zener quando il trasmettitore e il corpo della sonda si trovano in un'area sicura, ma la testa della sonda è installata in un ambiente pericoloso. Per informazioni sul cablaggio, fare riferimento agli schemi elettrici dell'isolatore galvanico e della barriera Zener inclusi nel presente documento.

Con l'HMT370EX non vengono forniti in dotazione isolatori galvanici o barriere Zener. Possono essere ordinati come accessori opzionali da Vaisala.



**AVVERTIMENTO** I trasmettitori della serie HMT370EX sono stati progettati per l'utilizzo in aree pericolose, come indicato dalla classificazione del prodotto. Il personale addetto all'installazione, all'utilizzo o alla manutenzione dei trasmettitori HMT370EX è responsabile della determinazione del concetto di protezione adeguato all'applicazione specifica con cui vengono utilizzati i trasmettitori HMT370EX ed è sua responsabilità che la classificazione dell'area pericolosa del prodotto rispetti i requisiti dell'applicazione.



**AVVERTIMENTO** Se l'apparecchiatura viene utilizzata in modo differente rispetto a quanto specificato da Vaisala, la protezione fornita dall'apparecchiatura potrebbe risultare compromessa.

I trasmettitori della serie HMT370EX sono certificati per l'utilizzo in aree pericolose, come indicato dalle classificazioni seguenti:

Tabella 31 Classificazioni delle aree pericolose della serie HMT370EX

Certificazione	Classificazione HMT370EX
IECEX <sup>1)</sup> /ATEX <sup>2)</sup>	II 1 G Ex ia IIC T4 Ga II 1 D Ex ia IIIC T <sub>200</sub> 85°C Da -40°C ≤ T <sub>amb</sub> ≤ +60°C

1) *Certificazione internazionale*

2) *Certificazione UE*



**ATTENZIONE** Il personale addetto all'installazione, all'utilizzo e alla manutenzione dei trasmettitori HMT370EX deve essere in possesso delle competenze necessarie per operazioni in aree pericolose, secondo quanto definito dagli standard applicabili.

Per informazioni in merito agli standard vigenti relativamente all'utilizzo dell'HMT370EX in base alla classificazione del dispositivo, consultare la documentazione di certificazione dell'HMT370EX e le dichiarazioni di conformità correlate a HMT370EX disponibili all'indirizzo [www.vaisala.com/declarationofconformity](http://www.vaisala.com/declarationofconformity).

## 2.1 Linee guida per un utilizzo sicuro in condizioni pericolose

### Panoramica delle parti della serie HMT370EX

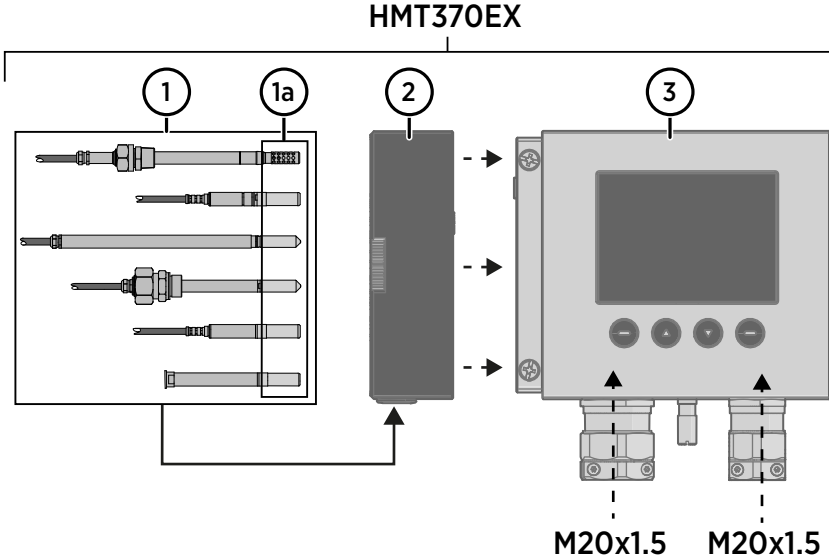


Figura 37 Panoramica delle parti HMT370EX

I trasmettitori della serie HMT370EX sono costituiti da 3 parti principali: il corpo del trasmettitore, un corpo della sonda rimovibile e una testa della sonda collegata al corpo della sonda, direttamente o tramite cavo. La [Figura 37 \(pagina 118\)](#) mostra le parti principali.

- 1 Teste della sonda (per la descrizione delle varianti, vedere *HMT370EX User Guide*)
- 1a Filtri testa sonda
- 2 Corpo della sonda
- 3 Corpo del trasmettitore

Le diverse varianti della testa della sonda sono progettate per una vasta gamma di applicazioni e dispongono di specifiche proprie. Assicurarsi che il corpo del trasmettitore, nonché il corpo e la testa della sonda siano posizionati ciascuno in un ambiente che corrisponda alle relative specifiche. Per gli intervalli di temperatura ambiente consentiti, fare riferimento a [Tabella 32 \(pagina 119\)](#).

Tabella 32 Intervalli di temperatura ambiente consentiti

Parte dell'attrezzatura	Intervallo temperatura ambiente consentito
Corpo del trasmettitore	-40°C ... +60°C
Corpo della sonda	-40°C ... +60°C
Testa della sonda HMP371	Classe di temperatura T4: -40°C ... +60°C
Testa della sonda HMP373	<b>Versione con cavo in gomma:</b> Classe di temperatura T6: -40°C ... +55°C Classe di temperatura T5: -40°C ... +80°C <b>Versione cavo FEP:</b> Classe di temperatura T6: -40°C ... +55°C Classe di temperatura T5: -40°C ... +100°C Classe di temperatura T4: -40°C ... +120°C
Teste sonda HMP374, HMP375, HMP377, HMP378, HMP378F e HMP378H	Classe di temperatura T6: -70°C ... +55°C Classe di temperatura T5: -70°C ... +100°C Classe di temperatura T4: -70°C ... +135°C Classe di temperatura T3: -70°C ... +180°C

## 2.1.1 Condizioni d'uso specifiche



**ATTENZIONE** Per l'installazione delle apparecchiature nell'area Zona 0 Gruppo II, è necessario assicurarsi che non vengano sprigionate scintille da impatto o da attrito.

### Requisiti del cablaggio

- I pressacavi e i cavi usati per il cablaggio del dispositivo non devono compromettere la protezione Ex.
  - I passanti inutilizzati devono essere sigillati con tappi conformi a Ex.
- Selezionare un'opzione di serracavo adatta all'applicazione (utilizzare i pressacavi che comprendono i serracavi o installare fascette separate: vedere IEC 60079-14).



**ATTENZIONE** Collegare solo cavi diseccati. Non accendere mai l'ingresso dell'alimentazione prima di completare il cablaggio e di aver chiuso il corpo del trasmettitore.

### Sicurezza intrinseca

La categoria di sovratensione dei trasmettitori HMT370EX è I (apparecchiatura non di rete) e il grado di inquinamento ambientale è 4, come specificato in IEC 60664-1. Per i parametri di ingresso a sicurezza intrinseca, vedere [Tabella 33 \(pagina 120\)](#).

Tabella 33 Parametri di ingresso a sicurezza intrinseca

Parametro	Valore	Parametri entità apparato collegati
$U_i$	28 VCC	$U_o \leq U_i$
$I_i$	100 mA	$I_o \leq I_i$
$P_i$	700 mW	$P_o \leq P_i$
$C_i$	12,1 nF	$C_o \geq C_i + C_{cavo}$
$L_i$	16 $\mu$ H	$L_o \geq L_i + L_{cavo}$

### Utilizzo dei punti di prova per l'uscita analogica

Sono presenti punti di prova per misurare le tensioni e le correnti delle uscite analogiche, posizionati sopra ciascuna morsettiera a vite come mostrato nella [Figura 38 \(pagina 121\)](#). L'accesso ai punti di prova sulla scheda dei componenti richiede l'apertura dell'alloggiamento del trasmettitore.



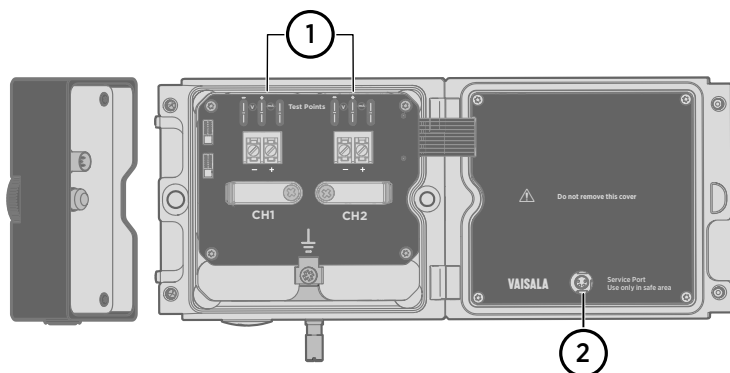


Figura 38 Posizione dei punti di prova e della porta di servizio

- 1 Punti di prova del multimetro per i canali di uscita analogica 1 e 2
- 2 Porta di servizio per connessione PC



**ATTENZIONE** L'alloggiamento del corpo del trasmettitore non deve essere aperto in un'area a rischio di esplosione, a meno che non sia stato rilasciato un permesso di lavoro sicuro in conformità con lo standard IEC 60079-14. Rimuovere il trasmettitore dall'area pericolosa prima di aprire l'alloggiamento o assicurarsi che nell'area pericolosa sia stata implementata una procedura di lavoro sicuro conformemente a IEC 60079-14.

Utilizzare un multimetro a sicurezza intrinseca che non causi il superamento dei parametri di ingresso a sicurezza intrinseca elencati nella [Tabella 33 \(pagina 120\)](#) quando è collegato in serie (misura di corrente) o in parallelo (misura di tensione) all'apparato associato.

#### Utilizzo della porta di servizio

La porta di servizio (vedere [Figura 38 \(pagina 121\)](#)) deve essere utilizzata solo in un'area sicura. Rimuovere il trasmettitore dall'area pericolosa o assicurarsi che sia stata implementata una procedura di lavoro sicura nell'area pericolosa. Nella porta di servizio, utilizzare solo il cavo di collegamento per PC accessorio di Vaisala.

#### Manutenzione

La sonda (comprende corpo e testa della sonda) può essere staccata e sostituita dall'utente. Il filtro della testa della sonda (vedere [Figura 37 \(pagina 118\)](#)) può essere sostituito anche dall'utente. Per gli altri requisiti di manutenzione, contattare Vaisala.



**ATTENZIONE** La sonda può essere staccata e cambiata quando il trasmettitore HMT370EX è alimentato. Qualsiasi altra manutenzione sotto tensione, inclusa la sostituzione del filtro della testa della sonda, non è consentita.

Il contenuto del presente capitolo viene conservato nel seguente documento, tracciato separatamente:

ID documento: M212506EN

Revisione: D (11 ott 2021)

## 3 Parti dell'HMT370EX

### Parti esterne



I componenti da A a J fanno riferimento alle parti esterne raffigurate all'inizio del documento nell'illustrazione di pagina 1. I componenti da 1 a 7 fanno riferimento alle parti interne raffigurate all'inizio del documento nell'illustrazione di pagina 2.

Tabella 34 Parti esterne

Componente	Descrizione
A	Testa della sonda (per le opzioni della variante della testa della sonda HMP370EX, vedere <i>HMT370EX User Guide</i> )
B	Corpo della sonda rimovibile
C	Corpo del trasmettitore (vedere tabella <i>Parti interne</i> )
D	Display LCD (nel modello con display opzionale)
E	Tasti dell'interfaccia utente dello schermo (solo modello con display)
F	Staffe da parete (4 pezzi)
G	Piastra di montaggio (opzionale)
H	Rotella di bloccaggio del corpo della sonda
I	Terminale di messa a terra
J	Passanti per il cablaggio (per le opzioni di pressacavi e canaline, vedere <i>HMT370EX User Guide</i> )

### Parti interne

Tabella 35 Parti interne

Componente	Descrizione
1	Fori per viti di montaggio
2	Fascette per fissaggio cavi
3	Terminale di messa a terra del trasmettitore
4	Porta di servizio del trasmettitore (M8, richiede il cavo di collegamento USB Vaisala)
5	Porta di servizio del corpo della sonda (M12, richiede il cavo di collegamento USB Vaisala)

Componente	Descrizione
6	Punti di prova del multimetro canale 1 e 2 dell'uscita analogica per corrente e tensione
7	Morsetti a vite per il cablaggio dei canali dell'uscita analogica 1 e 2

## 4 Installazione e cablaggio



**AVVERTIMENTO** L'installazione deve essere eseguita in un'area sicura, in caso contrario è necessario assicurarsi che nell'area pericolosa sia stata implementata una procedura di lavoro sicuro conforme a IEC 60079-14.



**AVVERTIMENTO** Quando il trasmettitore HMT370EX è alimentato, l'alloggiamento del trasmettitore non deve essere aperto in un'area pericolosa. La sonda può essere staccata e cambiata quando il trasmettitore HMT370EX è alimentato. Qualsiasi altra manutenzione sotto tensione, inclusa la sostituzione del filtro della testa della sonda, non è consentita.

### 4.1 Preparazione all'installazione

Prima di iniziare l'installazione, controllare quanto segue:

- Accertarsi che il sito dell'installazione rispetti la classificazione Ex del trasmettitore: vedere [Tabella 31 \(pagina 116\)](#).
- Rivedere le informazioni sull'area pericolosa nelle [Linee guida per un utilizzo sicuro in condizioni pericolose \(pagina 118\)](#) per ulteriori informazioni sui requisiti di sicurezza Ex relativi al trasmettitore HMT370EX e per le condizioni d'uso specifiche.
- Rivedere gli schemi di cablaggio inclusi nel presente documento per informazioni sul cablaggio utilizzando un isolatore galvanico o una barriera Zener.
  - [Cablaggio con isolatori galvanici \(pagina 130\)](#)
  - [Cablaggio con barriere Zener \(pagina 131\)](#)
- Durante la selezione dei pressacavi e dei tappi da utilizzare per l'applicazione, accertarsi che siano conformi a Ex. I pressacavi e i tappi devono essere a tenuta di acqua e polvere.

#### Informazioni sul cablaggio



**AVVERTIMENTO** Negli ambienti pericolosi, l'installazione protetta mediante isolatori galvanici o barriere Zener è obbligatoria.



**ATTENZIONE** Quando si pianifica il cablaggio della propria applicazione, tenere presente che il canale 1 (CH1) deve essere sempre cablato. Il trasmettitore riceve alimentazione tramite i morsetti a vite del canale 1 e non si accende se è collegato solo il canale 2 (CH2).



**ATTENZIONE** Verificare che il trasmettitore sia alimentato correttamente. La tensione minima, misurata sui morsetti a vite del trasmettitore, è pari a 12 VCC in tutte le condizioni. Se la tensione di alimentazione è inferiore a 12 VCC, la corrente dell'uscita analogica può essere errata.



Sui fili spelati, si consiglia di utilizzare delle boccole al fine di garantire un collegamento sicuro con i morsetti a vite.

### Selezione dei passanti e spine predefinite

Il trasmettitore HMT370EX viene fornito con 2 diversi tipi di spina sui passanti del trasmettitore, come mostrato nella [Figura 39 \(pagina 126\)](#).

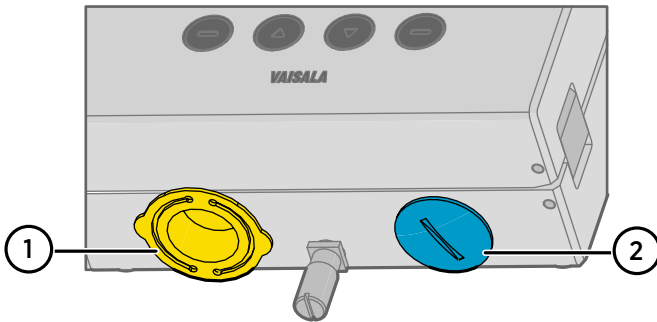


Figura 39 Spine predefinite nei passanti del trasmettitore HMT370EX

- 1 Copertura in plastica per il trasporto rimovibile: deve essere sostituita (piegare insieme i lati della copertura per il trasporto e rimuoverla)
- 2 Tappo in metallo: può essere utilizzato nell'installazione finale

Durante il cablaggio del trasmettitore HMT370EX, la copertura in plastica per il trasporto (1) deve sempre essere sostituita con un pressacavo, un condotto o una guarnizione avente conformità Ex. Il tappo in metallo (2) può essere lasciato in posizione e utilizzato nell'installazione finale, se il passante destro non viene utilizzato. Per le opzioni del pressacavo e del condotto, vedere *HMT370EX User Guide*.

## 4.2 Installazione dell'HMT370EX



- Viti per il montaggio del trasmettitore:
    - Installazione direttamente attraverso il corpo del trasmettitore: 2 viti Ø 5,5 mm
    - Installazione con piastra di montaggio opzionale: 4 viti Ø 5,5 mm e 2 viti a brugola M6
  - Cacciavite a croce per le viti prigioniere del coperchio del trasmettitore e morsetti a vite per il cablaggio
  - Cacciavite a testa piatta per il terminale di messa a terra
  - Pressacavi, canaline e tappi secondo le esigenze dell'applicazione e strumenti adeguati per il fissaggio e il serraggio
  - Pinza tagliafilari
- Opzionale:**
- Strumento di crimpatura e boccole per cavi
  - Chiave a brugola (5 mm) per la rotella di bloccaggio del corpo della sonda
  - Multimetro conforme a Ex per testare le uscite analogiche



I passaggi da 1 a 7 fanno riferimento alle illustrazioni da 1 a 7 delle pagine **3 e 4** all'inizio del documento.

- ▶ 1. Selezionare la superficie (ad esempio, un muro) per l'installazione del trasmettitore. È possibile montare il trasmettitore direttamente sulla superficie di installazione con 2 viti o utilizzare una piastra di montaggio opzionale da attaccare alla parte posteriore del trasmettitore.
  - a. Installazione senza piastra di montaggio: fissare il corpo del trasmettitore direttamente alla superficie di installazione con 2 viti Ø 5,5 mm. Il foro della vite di sinistra ha uno spazio verticale aggiuntivo che consente di regolare la posizione del trasmettitore dopo aver fissato la vite di destra.
  - b. Installazione con piastra di montaggio: fissare la piastra di montaggio alla superficie di installazione con 4 viti Ø 5,5 mm, quindi bloccare il trasmettitore alla piastra di montaggio con 2 viti Allen M6.
2. Collegare i pressacavi (1 o 2) ai passanti come richiesto per l'applicazione. Prendere nota dei requisiti del pressacavo elencati nelle [Condizioni d'uso specifiche \(pagina 119\)](#).
  - Entrambi i passanti dispongono di filettature M20x1,5.
  - Tappare eventuali passanti non utilizzati con guarnizioni conformi Ex.
  - I pressacavi e i tappi devono essere a tenuta di acqua e polvere.

3. Preparare i fili di cablaggio come richiesto dall'applicazione (cablaggio tramite 1 o 2 passanti).
  - a. Spelare i fili del cavo: si consiglia di collegare le boccole alle estremità di contatto dei fili.
  - b. Aprire il pressacavo e inserire un cavo di lunghezza adeguata all'interno del trasmettitore attraverso il pressacavo.
  - c. Stringere il pressacavo: fare riferimento alle istruzioni dei pressacavi utilizzati nella propria applicazione per la massima tenuta.
  - d. Se l'installazione non richiede l'utilizzo di entrambi i passanti,appare il passante inutilizzato con una guarnizione conforme Ex.
4. Collegare il cablaggio del morsetto a vite come richiesto per l'applicazione. Per gli schemi elettrici di installazioni protette, vedere [Cablaggio con isolatori galvanici \(pagina 130\)](#) e [Cablaggio con barriere Zener \(pagina 131\)](#).
  - a. Aprire le fascette di fissaggio dei cavi collocate sotto i morsetti a vite e far passare i cavi attraverso le fascette per condurli fino ai morsetti.
  - b. Collegare i fili ai morsetti a vite.



Notare che il canale 1 (CH1) deve essere sempre cablato. Il trasmettitore riceve alimentazione tramite i morsetti a vite del CH1 e non si accende se è cablato solo il canale 2 (CH2).

- c. Regolare la lunghezza dei cavi e chiudere le fascette di fissaggio dei cavi in modo che mantengano i cavi in posizione.

**Opzionale:** per istruzioni sull'esecuzione del test del livello dell'uscita analogica con un multimetro, vedere [passaggio 8](#).

5. Chiudere il coperchio del corpo del trasmettitore e serrare le viti prigioniera, quindi collegare il corpo della sonda al trasmettitore.



È sufficiente serrare a mano il corpo della sonda con la rotella di bloccaggio. Per evitare che il corpo della sonda si stacchi senza che vengano impiegati attrezzi, è possibile stringere ulteriormente la rotella di bloccaggio con una chiave a brugola (5 mm).

6. Montare la testa della sonda sull'area in cui si desidera misurare.



Le sonde della serie HMT370EX sono progettate per una varietà di applicazioni con diversi requisiti di installazione. Per le istruzioni di installazione specifiche della sonda, vedere *HMT370EX User Guide*.

7. Collegare il terminale di messa a terra sulla parte inferiore del trasmettitore all'elemento di messa a terra del sito di installazione con un filo di messa a terra da 4 mm<sup>2</sup>. Dopo aver messo a terra il trasmettitore, accendere l'ingresso di alimentazione.



8. **Opzionale:** se si desidera verificare il livello dell'uscita dei canali dell'uscita analogica, testare il collegamento come segue:
- Scollegare il corpo della sonda e aprire il coperchio del trasmettitore.
  - Collegare un multimetro ai punti di prova mA situati sopra ai morsetti a vite di uscita sulla scheda dei componenti del trasmettitore (vedere l'illustrazione di pagina 2 all'inizio del documento per l'ubicazione dei morsetti).



Utilizzare sempre un multimetro conforme a Ex. I parametri di uscita del multimetro devono essere compatibili con i parametri di ingresso del trasmettitore.

- Avviare la modalità di test dell'uscita utilizzando l'interfaccia del display del trasmettitore o, se si utilizza un trasmettitore senza display, collegando il trasmettitore al software per PC Insight. Per istruzioni sull'utilizzo della modalità di test dell'uscita con l'interfaccia del display e il software per PC Insight, vedere *HMT370EX User Guide*.
- Dopo aver verificato l'uscita, rimuovere il multimetro, chiudere il coperchio del trasmettitore e ricollegare il corpo della sonda.

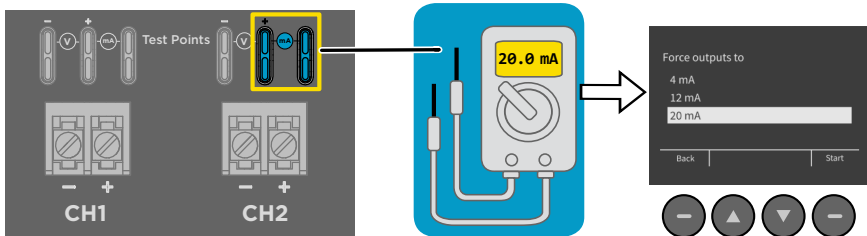


Figura 40 Panoramic view of the multimeter test point



**ATTENZIONE** La porta di servizio (vedere [Figura 38 \(pagina 121\)](#)) deve essere utilizzata solo in un'area sicura. Rimuovere il trasmettitore dall'area pericolosa o assicurarsi che sia stata implementata una procedura di lavoro sicura nell'area pericolosa. Nella porta di servizio, utilizzare solo il cavo di collegamento per PC accessorio di Vaisala.

### 4.3 Cablaggio con isolatori galvanici

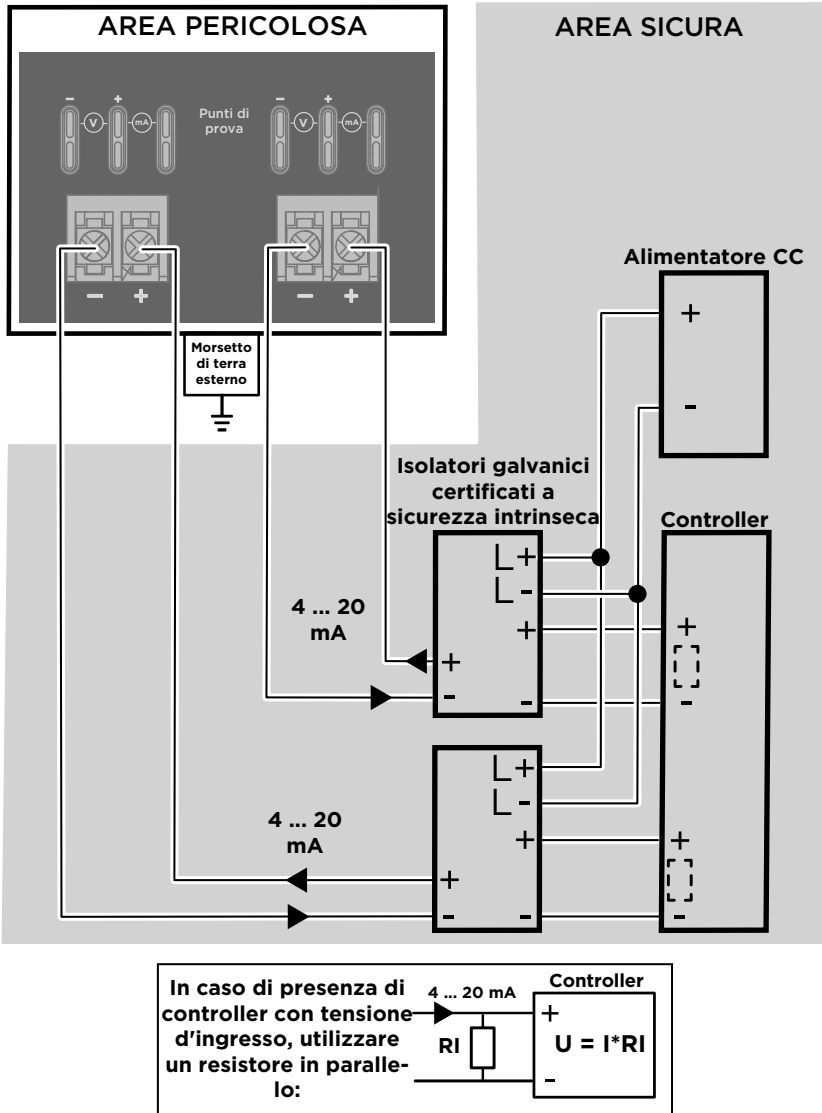


Figura 41 Schema elettrico con isolatori galvanici

## 4.4 Cablaggio con barriere Zener

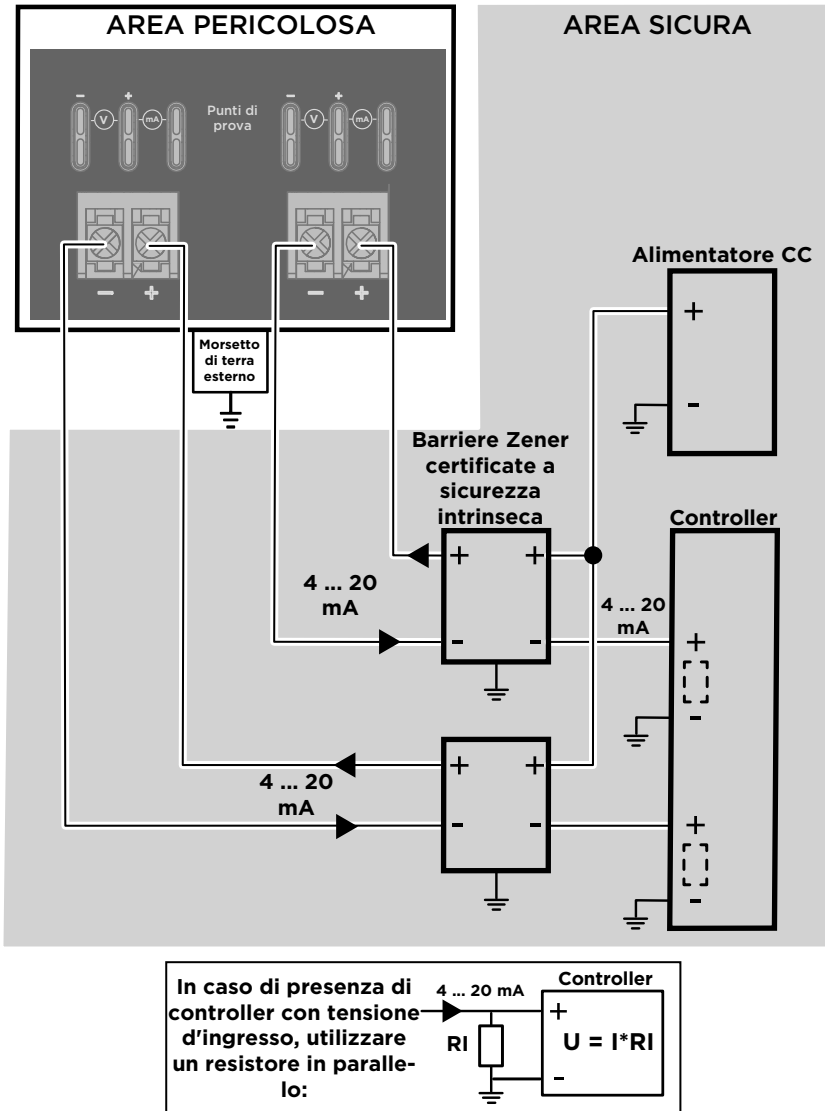


Figura 42 Schema elettrico con barriere Zener

## Servizi di calibrazione e manutenzione



Vaisala offre un'assistenza clienti completa durante tutto il ciclo di vita dei nostri strumenti e sistemi di misurazione. I nostri servizi di fabbrica sono forniti in tutto il mondo con consegne rapide. Per ulteriori informazioni, consultare il sito all'indirizzo [www.vaisala.com/calibration](http://www.vaisala.com/calibration).

- Lo store online di Vaisala all'indirizzo [store.vaisala.com](http://store.vaisala.com) è disponibile per la maggior parte dei paesi. È possibile sfogliare l'offerta per modello di prodotto e ordinare gli accessori, le parti di ricambio o i servizi di calibrazione e manutenzione corretti.
- Per contattare il proprio esperto di manutenzione e calibrazione locale, fare riferimento all'indirizzo [www.vaisala.com/contactus](http://www.vaisala.com/contactus).

## Garanzia

Per i termini e le condizioni di garanzia standard, vedere [www.vaisala.com/warranty](http://www.vaisala.com/warranty).

Si noti che tale garanzia potrebbe non essere valida in caso di danni dovuti a normale usura, condizioni operative eccezionali, manipolazione o installazione improprie o modifiche non autorizzate. Per i dettagli della garanzia di ciascun prodotto, consultare il relativo contratto di fornitura o le condizioni di vendita.

## Supporto tecnico



Contattare il supporto tecnico Vaisala a [helpdesk@vaisala.com](mailto:helpdesk@vaisala.com). In caso di supporto, a seconda dei casi, fornire almeno le informazioni seguenti:

- Nome del prodotto, modello e numero di serie
- Versione software/firmware
- Nome e posizione del sito di installazione
- Nome e informazioni di contatto di un tecnico in grado di fornire ulteriori informazioni sul problema

Per ulteriori informazioni, vedere [www.vaisala.com/support](http://www.vaisala.com/support).

## Riciclo



Riciclare tutto il materiale riciclabile.



Seguire le norme di legge per lo smaltimento del prodotto e dell'imballaggio.

# 1 Bevezetés az HMT370EX sorozatba

A Vaisala HUMICAP® HMT370EX sorozatú páratartalom- és hőmérséklet-adókészülék ideális megoldás a veszélyes területek páratartalmának mérésére. A gyújtószikramentes és robusztus HMT370EX biztonságosan és megbízhatóan működik még a legveszélyesebb területeken is, például a 0-ás zónában. A HMT370EX adókészülékek az összes HMT360 alkalmazásban a régóta futó HMT360 adókészülék-sorozat helyettesítésére használhatók.

A HMT370EX közvetlenül robbanásveszélyes területekre telepíthető. Képes elviselni a folyamatos kitétséget a gyúlékony gázokat vagy port tartalmazó, robbanásveszélyes környezeteknek, és nem igényel külön védőburkolatot a gázos vagy poros környezetben történő működéshez.

A HMT370EX számos szonda opciót kínál különböző alkalmazásokhoz. A levehető szondamodulnak köszönhetően a szondák könnyen kicserélhetők és eltávolíthatók a veszélyes területen kívüli kalibráláshoz a teljes adókészülék eltávolítása nélkül.

Az adókészülék 2 analóg áramkimeneti csatornával rendelkezik (4 – 20 mA) a biztonsági gátakon keresztüli csatlakozáshoz. A konfigurációhoz, a diagnosztikához, a kalibrálási és beállítási funkciókhoz való egyszerű hozzáférés érdekében a szonda és az adókészülék teste csatlakoztatható a Vaisala Insight PC szoftverhez konfigurálás céljából, akár egy közös egységként, akár külön-külön.

## 1.1 Alapfunkciók és beállítások

- Rendelkezésre álló mérési paraméterek: relatív páratartalom (RH) és hőmérséklet (T)
  - A számított mérési paraméterek a következőket tartalmazzák: <sup>1)</sup> harmatpont hőmérséklet, nedves gömb hőmérséklet, abszolút páratartalom, keverési arány, vízkoncentráció, víz tömegszázalék, vízgőznyomás, entalpia és olaj / üzemanyag nedvesség speciális modellekkel
- Ex-besorolás: IECEx és ATEX tanúsítvánnyal 0-ás és 20-as zónás környezetekben történő használatra: a teljes Ex-besoroláshoz lásd: [Táblázat 36 \(oldal 134\)](#).
- 2 analóg kimenet (4 ... 20 mA, méretezhető, leválasztott)
- Megjelenítési lehetőségek: grafikus LCD kijelzős vagy kijelző nélküli modell
- Tápegység bemenet: 12 ... 28 V
- Kompatibilis a Vaisala Insight PC szoftverrel

## 1.2 További információk

További információkért az adókészülék telepítés utáni használatáról, konfigurálásáról és karbantartásáról lásd: *HMT370EX User Guide* (elérhető itt: [www.vaisala.com/HMT370EX](http://www.vaisala.com/HMT370EX)).

1) *További rendelkezésre álló számított paraméterek: lásd a termékinformációkat itt: [vaisala.com](http://vaisala.com)*

## 2 A HMT370EX sorozatú adókészülékek használata veszélyes helyeken



**FIGYELMEZTETÉS** Galvanikus leválasztókkal vagy Zener-gáttal védett telepítés kötelező veszélyes környezetben.

Veszélyes környezetekben az adókészülékeket mindig galvanikus leválasztókon vagy Zener-gáttal keresztül csatlakoztassa. Galvanikus leválasztót vagy Zener-gátat kell használni akkor is, ha az adókészülék és a szondatest biztonságos helyen van, de a szonda fejét veszélyes környezetben helyezik el. A bekötésre vonatkozó információkat lásd a galvanikus leválasztó és a Zener-gát bekötési rajzaiban, amelyek a jelen dokumentumban találhatóak.

A HMT370EX nem tartalmaz galvanikus leválasztót vagy Zener-gátat. Ezek opcionális kiegészítőként rendelhetők a Vaisalától.



**FIGYELMEZTETÉS** A HMT370EX sorozatú adókészülékeket veszélyes helyeken való használatra tervezték, a termék megadott besorolása szerint. A HMT370EX adókészülékeket telepítő, használó vagy karbantartó személyzet felel azért, hogy meghatározza a HMT370EX-et használó specifikus alkalmazáshoz a megfelelő védelmi koncepciót, és hogy a készülék veszélyes területi besorolása megfeleljen az alkalmazás követelményeinek.



**FIGYELMEZTETÉS** Ha a berendezést nem a Vaisala által meghatározott módon használják, a berendezés által biztosított védelem károsodhat.

A HMT370EX sorozatú adókészülékek tanúsítva vannak veszélyes helyeken való használatra, a következő besorolási meghatározások szerint:

Táblázat 36 A HMT370EX sorozat területi besorolásai

Tanúsítás	HMT370EX besorolás
IECEX <sup>1)</sup> / ATEX <sup>2)</sup>	II 1 G Ex ia IIC T4 Ga II 1 D Ex ia IIIC T <sub>200</sub> 85 °C Da -40 °C ≤ T <sub>amb</sub> ≤ +60 °C

1) Nemzetközi tanúsítás

2) EU tanúsítás

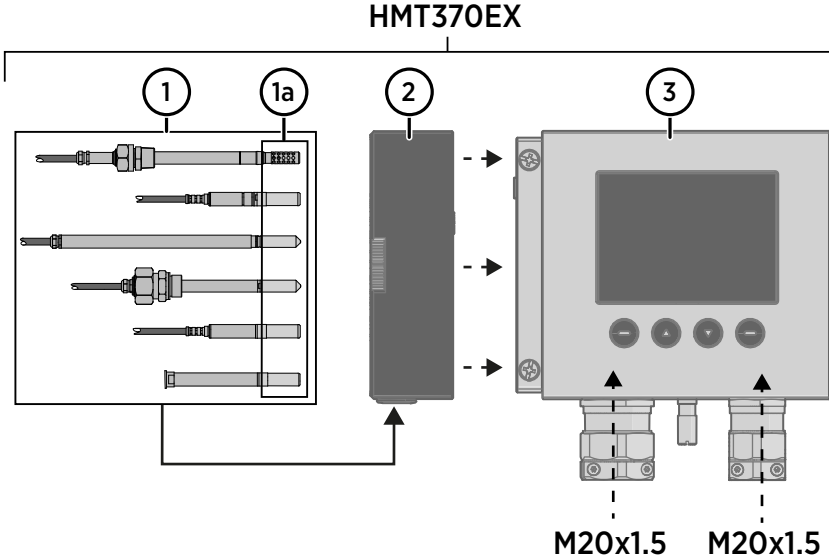


**FIGYELMEZTETÉS** A HMT370EX adókészülékeket telepítő, üzemeltető és karbantartó személyzetnek rendelkeznie kell a szükséges kompetenciákkal a veszélyes helyen történő munkavégzéshez, az alkalmazandó szabványok szerint.

A HMT370EX-nek az eszköz besorolása alapján történő használatára vonatkozó szabványokkal kapcsolatos információk a HMT370EX tanúsítási dokumentációban és a HMT370EX-hez kapcsolódó megfelelőségi nyilatkozatokban találhatóak, itt: [www.vaisala.com/declarationofconformity](http://www.vaisala.com/declarationofconformity).

## 2.1 Útmutató a veszélyes körülmények közötti biztonságos használathoz

### A HMT370EX sorozat részeinek áttekintése



Ábra 43 A HMT370EX részeinek áttekintése

A HMT370EX sorozatú adókészülékek 3 fő részből állnak: adókészülék-test, a levehető szondatest és a szondatesthez akár közvetlenül, akár kábel segítségével rögzített szondafej. [Ábra 43 \(oldal 136\)](#) mutatja a fő részeket.

- 1 Szondafejek (a változatok leírását lásd *HMT370EX User Guide*)
- 1a Szondafej szűrők
- 2 Szondatest
- 3 Adókészülék-test

A különböző szondafej-változatokat többféle alkalmazáshoz tervezték, és saját specifikációval rendelkeznek. Gondoskodjon arról, hogy az adókészülék-test, a szondatest és a szondafej olyan környezetben legyen elhelyezve, amely megfelel az alkatrész specifikációjának. A megengedett környezeti hőmérsékleti tartományokat lásd [Táblázat 37 \(oldal 137\)](#).



Táblázat 37 Megengedett környezeti hőmérsékleti tartományok

Berendezés rész	Megengedett környezeti hőmérsékleti tartomány
Adókészülék-test	-40 °C ... +60 °C
Szondatest	-40 °C ... +60 °C
HMP371 szondafej	T4 hőmérsékleti osztály: -40 °C ... +60 °C
HMP373 szondafej	<b>Gumikábeles verzió:</b> T6 hőmérsékleti osztály: -40 °C ... +55 °C T5 hőmérsékleti osztály: -40 °C ... +80 °C <b>FEP kábeles verzió:</b> T6 hőmérsékleti osztály: -40 °C ... +55 °C T5 hőmérsékleti osztály: -40 °C ... +100 °C T4 hőmérsékleti osztály: -40 °C ... +120 °C
HMP374, HMP375, HMP377, HMP378, HMP378F és HMP378H szondafejek	T6 hőmérsékleti osztály: -70 °C ... +55 °C T5 hőmérsékleti osztály: -70 °C ... +100 °C T4 hőmérsékleti osztály: -70 °C ... +135 °C T3 hőmérsékleti osztály: -70 °C ... +180 °C

## 2.1.1 Specifikus felhasználási feltételek



**FIGYELMEZTETÉS** A 0-ás zóna II csoportú területén telepített berendezés esetén biztosítani kell, hogy szikra még ütdődés vagy súrlódás esetén se keletkezhesen.

### Bekötési követelmények

- A készülék kábelezésénél használt kábeltömszelencéknek és vezetékeknek Ex-megfelelőséggel kell rendelkezniük.
  - A fel nem használt átvezetéseket Ex megfelelőségű dugókkal kell lezárni.
- Válasszon ki egy, az alkalmazásnak megfelelő feszültségmentesítő opciót (használgjon feszültségmentesítőt tartalmazó kábeltömszelencéket, vagy szereljen fel külön bilincseket: lásd IEC 60079-14).



**FIGYELMEZTETÉS** Csak feszültségmentesített vezetéseket csatlakoztasson. Soha ne kapcsolja be a tápfeszültség bemenetet a kábelezés befejezése és az adókészülék-test lezárása előtt.

### Gyűjtőszikra-mentesség

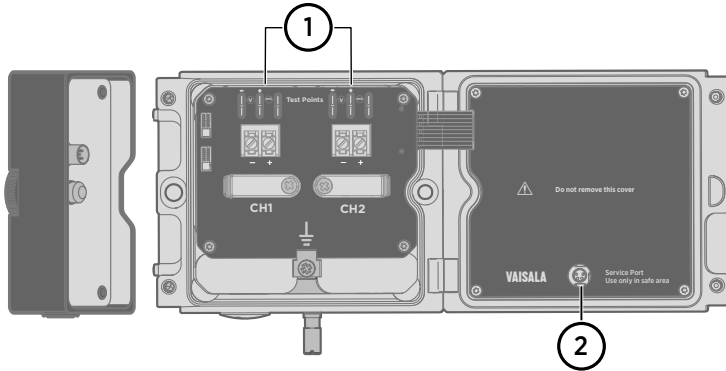
A HMT370EX adókészülékek túlfeszültség kategóriája I (nem hálózati berendezések), és a környezeti szennyezés mértéke 4, az IEC 60664-1 előírásoknak megfelelően. A gyűjtőszikramentes bemeneti paramétereket lásd [Táblázat 38 \(oldal 138\)](#).

Táblázat 38 Gyűjtőszikramentes bemeneti paraméterek

Paraméter	Érték	Társított berendezésentitás-paraméterek
$U_i$	28 VDC	$U_o \leq U_i$
$I_i$	100 mA	$I_o \leq I_i$
$P_i$	700 mW	$P_o \leq P_i$
$C_i$	12,1 nF	$C_o \geq C_i + C_{cable}$
$L_i$	16 $\mu$ H	$L_o \geq L_i + L_{cable}$

### Analóg kimeneti tesztpontok használata

Az analóg kimenetek feszültségének és áramának mérésére szolgáló tesztpontok az egyes csavaros kapocsblokkok felett találhatóak, ahogy [Ábra 44 \(oldal 139\)](#) mutatja. Az áramkörü elemek tábláján található tesztpontokhoz való hozzáféréshez meg kell nyitni az adókészülék burkolatát.



Ábra 44 A tesztpontok és a szervizport helye

- 1 Multiméteres tesztpontok az 1. és 2. analóg kimeneti csatornához
- 2 Szervizport PC-csatlakozáshoz



**FIGYELMEZTETÉS** Az adókészülék-test burkolatát nem szabad robbanásveszélyes területen kinyitni, kivéve, ha az IEC 60079-14 szabványnak megfelelő biztonságos munkavégzési engedélyt adtak ki. Távolítsa el az adókészüléket a veszélyes területről, mielőtt a burkolatot kinyitná, vagy győződjön meg arról, hogy az IEC 60079-14 szabványnak megfelelő biztonságos munkavégzési eljárást valósították meg a veszélyes területen.

Használjon olyan gyújtószikramentes multimétert, amely nem okozza az itt felsorolt: [Táblázat 38 \(oldal 138\)](#) gyújtószikramentes bemeneti paraméterek túllépését, ha sorosan (árammérés) vagy párhuzamosan (feszültségmérés) csatlakoztatják a társított készülékhez.

#### A szervizport használata

A szervizportot (lásd [Ábra 44 \(oldal 139\)](#)) csak biztonságos helyen szabad használni. Távolítsa el az adókészüléket a veszélyes területről, vagy győződjön meg arról, hogy a veszélyes területen biztonságos munkavégzési eljárást valósítottak meg. Csak a Vaisala tartozék PC csatlakozókábelt használja a szervizporthoz.

#### Karbantartás

A szondát (a szondatestet és -fejet is beleértve) a felhasználó leválaszthatja és kicserélheti. A szondafej szűrőjét (lásd [Ábra 43 \(oldal 136\)](#)) a felhasználó szintén kicserélheti. Egyéb karbantartási igényekkel forduljon a Vaisalához.



**FIGYELMEZTETÉS** A szonda leválasztható és cserélhető, amikor a HMT370EX feszültség alatt van. Semmilyen más karbantartás feszültség alatt álló készüléken, beleértve a szondafej szűrőjének cseréjét is, nem megengedett.

A jelen fejezet tartalma a következő, külön követett dokumentumban van kezelve:	
Dokumentumazonosító: M212506EN	Revízió: D (2021. október 11.)

## 3 HMT370EX alkatrészek

### Külső részek



Az A ... J elemek a dokumentum elején az **1.** oldalon található külső részek ábrájára hivatkoznak. Az 1 ... 7 elemek a dokumentum elején a **2.** oldalon található belső részek ábrájára hivatkoznak.

Táblázat 39 Külső részek

Elem	Leírás
A	Szondafej (a lehetséges HMP370EX szondafej változatokat lásd <i>HMT370EX User Guide</i> )
B	Levehető szondatest
C	Adókészülék-test (lásd <i>Belső alkatrészek</i> táblázat)
D	LCD kijelző (opcionális kijelzős modellben)
E	Kijelző felhasználói felület gombok (csak kijelzős modell esetén)
F	Fali ütköző (4 db)
G	Szerelőlap (opcionális)
H	Szondatest reteszelő kerék
I	Földelőkapocs
J	Átvezetések a bekötéshez (a kábeltömszelence és vezeték opciókat lásd <i>HMT370EX User Guide</i> )

### Belső alkatrészek

Táblázat 40 Belső alkatrészek

Elem	Leírás
1	Furatok a rögzítőcsavarokhoz
2	Kábelrögzítő bilincsek
3	Adókészülék földelőkapocs
4	Adókészülék szervizport (M8, Vaisala USB csatlakozókábel szükséges hozzá)
5	Szondatest szervizport (M12, Vaisala USB csatlakozókábel szükséges hozzá)
6	1. és 2. analóg kimeneti csatorna multiméteres tesztpontok áramhoz és a feszültséghez
7	Csavaros sorkapcsok az 1. és 2. analóg kimeneti csatorna bekötéséhez

## 4 Telepítés és bekötés



**FIGYELMEZTETÉS** A telepítést biztonságos helyen kell végrehajtani, vagy meg kell győződni arról, hogy az IEC 60079-14 szabványnak megfelelő biztonságos munkavégzési eljárás került végrehajtásra a veszélyes területen.



**FIGYELMEZTETÉS** Ha a HMT370EX feszültség alatt van, az adókészülék burkolatát nem szabad veszélyes területen kinyitni. A szonda leválasztható és cserélhető, amikor a HMT370EX feszültség alatt van. Semmilyen más karbantartás feszültség alatt álló készüléken, beleértve a szondafej szűrőjének cseréjét is, nem megengedett.

### 4.1 Telepítés előkészítése

A telepítés megkezdése előtt ellenőrizze a következőket:

- Győződjön meg arról, hogy a telepítés színhelye megfelel az adókészülék Ex besorolásának: lásd [Táblázat 36 \(oldal 134\)](#).
- Tekintse át a veszélyes területre vonatkozó információkat [Útmutató a veszélyes körülmények közötti biztonságos használatához \(oldal 136\)](#) további információkért a HMT370EX-hez kapcsolódó Ex biztonsági követelményekről és a specifikus felhasználási feltételekről.
- Tekintse át a jelen dokumentumban található bekötési rajzokat, hogy információt szerezzen a galvanikus leválasztó vagy a Zener-gát használatáról.
  - [Bekötés galvanikus leválasztókkal \(oldal 147\)](#)
  - [Bekötés Zener-gátakkal \(oldal 148\)](#)
- Amikor kiválasztja a kábeltömszelencéket és dugaszokat az alkalmazáshoz, gondoskodjon azok Ex megfelelőségéről. A tömszelencéknek és a dugaszoknak víz- és porzáróknak kell lenniük.

#### Kábelezési információk



**FIGYELMEZTETÉS** Galvanikus leválasztókkal vagy Zener-gátakkal védett telepítés kötelező veszélyes környezetben.



**FIGYELMEZTETÉS** Az alkalmazás kábelezésének megtervezésekor vegye figyelembe, hogy az 1. csatornát (CH1) mindig be kell kötni. Az adókészülék az 1. csatorna csavaros sorkapcsain keresztül kap áramot, és nem kapcsol be, ha csak a 2. csatorna (CH2) van bekötve.



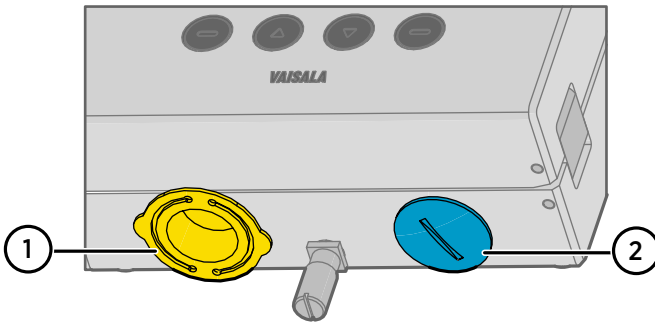
**FIGYELMEZTETÉS** Győződjön meg arról, hogy az adókészülék tápellátása megfelelő. 12 VDC minimális feszültség minden körülmények között szükséges, az adókészülék csavaros sorkapcsainál mérve. Ha a tápfeszültség kevesebb, mint 12 VDC, akkor az analóg kimenet árama hibás lehet.



Javasoljuk, hogy a lecsupaszított vezetékeken szorítóhüvelyeket használjon, amelyek garantálják a biztonságos érintkezést a csavaros sorkapcsoknál.

### Átvezetés kiválasztása és alapértelmezett dugaszok

A HMT370EX két különböző típusú dugasszal van ellátva az adókészülék átvezetésein, amint azt a [Ábra 45 \(oldal 143\)](#) mutatja.



Ábra 45 Alapértelmezett dugaszok a HMT370EX átvezetőkben

- 1 Levehető műanyag szállítófedél: le kell cserélni (hajtsa be a szállítófedél oldalait és húzza ki)
- 2 Fém tömítődugó: felhasználható a végső telepítésnél

A műanyag szállítófedelet (1) a HMT370EX. bekötésekor mindig ki kell cserélni egy Ex szabványnak megfelelő tömszelencére, vezetékre vagy tömítésre. A fém tömítődugó (2) a helyén hagyható és felhasználható a végleges telepítésben, ha a jobb oldali átvezetést nem használják. A kábeltömszelence és a vezetékek opcióit lásd *HMT370EX User Guide*.

## 4.2 A HMT370EX telepítése



- Csavarok az adókészülék felszereléséhez:
  - Telepítés közvetlenül az adókészülék-testen keresztül: 2 db  $\varnothing$  5,5 mm-es csavar
  - Telepítés opcionális szerelőlappal: 4 db  $\varnothing$  5,5 mm-es csavar és 2 db M6 imbuszcsavar
- Keresztfelü csavarhúzó az adókészülék burkolatának rögzítőcsavarjaihoz és a csavaros sorkapcsok bekötéséhez
- Laposfejű csavarhúzó a földelőkapocshoz
- Kábeltömszelencék, vezetékek és dugaszok az alkalmazásban előírtak szerint, valamint megfelelő eszközök ezek rögzítéséhez és megszorításához
- Huzalvágó fogó

### Választható:

- Krimpelő szerszám és vezeték-szorítóhüvelyek
- Imbuszkulcs (5 mm) a szondatest reteszelő kerékhez
- Ex-kompatibilis multiméter az analóg kimenetek teszteléséhez



Az 1... 7 lépések a dokumentum elején a **3**, és **4**. oldalon található 1... 7 számú illusztrációkra hivatkoznak.

- ▶ 1. Válasszon ki egy felületet (például egy falat) az adókészülék felszereléséhez. Az adókészüléket 2 csavarral közvetlenül a telepítési felületre szerelheti, vagy használhat egy opcionális szerelőlapot, amely az adókészülék hátuljához csatlakozik.
  - a. Szerelés szerelőlap nélkül: rögzítse az adókészülék-testet közvetlenül a telepítési felületre 2 db 5,5 mm-es csavarral. A bal oldali csavar furatánál extra függőleges hely áll rendelkezésre az adókészülék helyzetének beállításához, miután a jobb oldali csavart rögzítette.
  - b. Szerelés szerelőlappal: rögzítse a szerelőlapot a beépítési felületre 4  $\varnothing$  5,5 mm-es csavarral, majd 2 M6 imbuszcsavarral rögzítse az adókészüléket a szerelőlaphoz.
2. Csatlakoztassa a kábeltömszelencéket (1 vagy 2) a kábelezés átvezetési pontjaihoz az alkalmazásának megfelelően. Vegye figyelembe a kábeltömszelence követelményeit, amelyek felsorolása a [Specifikus felhasználási feltételek \(oldal 137\)](#) pontban található.
  - Mindkét átvezetés M20x1,5 menettel rendelkezik.
  - Dugózza le az esetleges fel nem használt átvezetéseket Ex-kompatibilis tömítésekkel.
  - A tömszelencéknek és a dugaszoknak víz- és porzáróknak kell lenniük.



3. Készítse elő a kábelezés vezetékait az alkalmazásának megfelelően (kábelezés 1 vagy 2 átvezetésen keresztül).
  - a. Csupaszolja le a kábeleket: a vezetékek érintkező végeihez szorítóhüvelyeket ajánlott rögzíteni.
  - b. Nyissa ki a kábeltömszelencét, és helyezzen be megfelelő hosszúságú kábelt az adókészülékbe a kábeltömszelencén keresztül.
  - c. Szorítsa meg a tömszelencét: a maximális szorosság érdekében olvassa el az alkalmazásában használt tömszelencék utasításait.
  - d. Ha a telepítéshez nincs szükség mindkét átvezetés használatára, dugaszolja be a fel nem használt átvezetést egy Ex-kompatibilis tömítéssel.
4. Csatlakoztassa a csavaros kapocs vezetékait az alkalmazásának megfelelően. A védett telepítéshez a bekötési rajzokat lásd [Bekötés galvanikus leválasztókkal \(oldal 147\)](#) és [Bekötés Zener-gáttakkal \(oldal 148\)](#).
  - a. Nyissa ki a kábelrögzítő bilincseket a csavaros sorkapcsok alatt, és vezesse a kábeleket a sorkapcsokhoz a bilincseken keresztül.
  - b. Csatlakoztassa a vezetékeket a csavaros sorkapcsokhoz.



Ne feledje, hogy az 1. csatornát (CH1) mindig be kell kötni. Az adókészülék a CH1 csavaros sorkapcsain keresztül kap áramot, és nem kapcsol be, ha csak a 2. csatorna (CH2) van bekötve.

- c. Állítsa be a vezetékek hosszát, és zárja le a kábelrögzítő bilincseket úgy, hogy azok a helyükön tartsák a kábeleket.

**Választható:** Az analóg kimeneti szint multiméterrel történő tesztelésére vonatkozó utasításokat lásd [lépés 8](#).

5. Zárja le az adókészülék-test fedelét, húzza meg a rögzítőcsavarokat, majd rögzítse a szondatestet az adókészülékhez.



Elegendő, ha a reteszelő kerékkel kézi erővel megszorítja a szondatestet. Azt megakadályozandó, hogy a szondatest szerszámok nélkül leválasztható legyen, erősebben is meghúzhatja a reteszelő kereket egy imbuszkulccsal (5 mm).

6. Szerelje fel a szondafejet arra a területre, amelyen mérni szeretne.



A HMT370EX sorozatú szondákat különféle alkalmazásokhoz tervezték, eltérő telepítési követelményekkel. A szondaspecifikus telepítési utasításokat lásd *HMT370EX User Guide*.

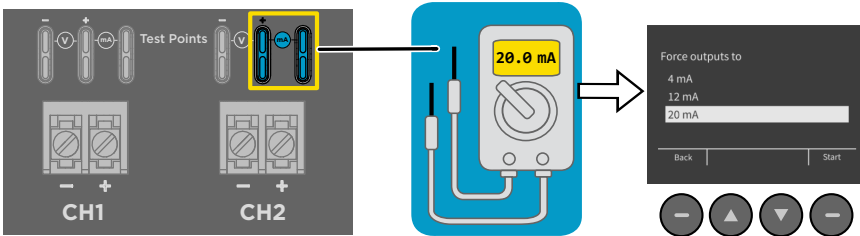
7. Csatlakoztassa az adókészülék alján található földelőkapcsot a telepítési helyszín földelő eleméhez egy 4 mm<sup>2</sup> keresztmetszetű földelő vezetékkel. Az adókészülék földelése után kapcsolja be a tápegység bemenetét.

8. **Választható:** Ha ellenőrizni szeretné az analóg kimeneti csatornák kimeneti szintjét, tesztelje a csatlakoztatást az alábbiak szerint:
- Válassza le a szondatestet, és nyissa ki az adókészülék fedelét.
  - Csatlakoztasson egy multimétert az adókészülék áramköri elemek tábláján lévő kimeneti csavaros sorkapcsok felett elhelyezkedő mA-es vizsgálati pontokhoz (lásd a2. oldalon a sorkapcsok helyét bemutató ábrát a dokumentum elején).



Mindig használjon Ex-kompatibilis multimétert. A multiméter kimeneti paramétereinek kompatibiliseknek kell lenniük az adókészülék bemeneti paramétereivel.

- Indítsa el a kimeneti teszt üzemmódot az adókészülék kijelző-interfészének segítségével, vagy ha kijelző nélküli adókészüléket használ, az adókészüléket összekapcsolva az Insight PC szoftverrel. A kimeneti teszt üzemmódnak a kijelző interfésszel és az Insight PC szoftverrel történő használatára vonatkozó utasításokat lásd *HMT370EX User Guide*.
- A kimenet ellenőrzése után távolítsa el a multimétert, zárja le az adókészülék fedelét, majd helyezze vissza a szondatestet.

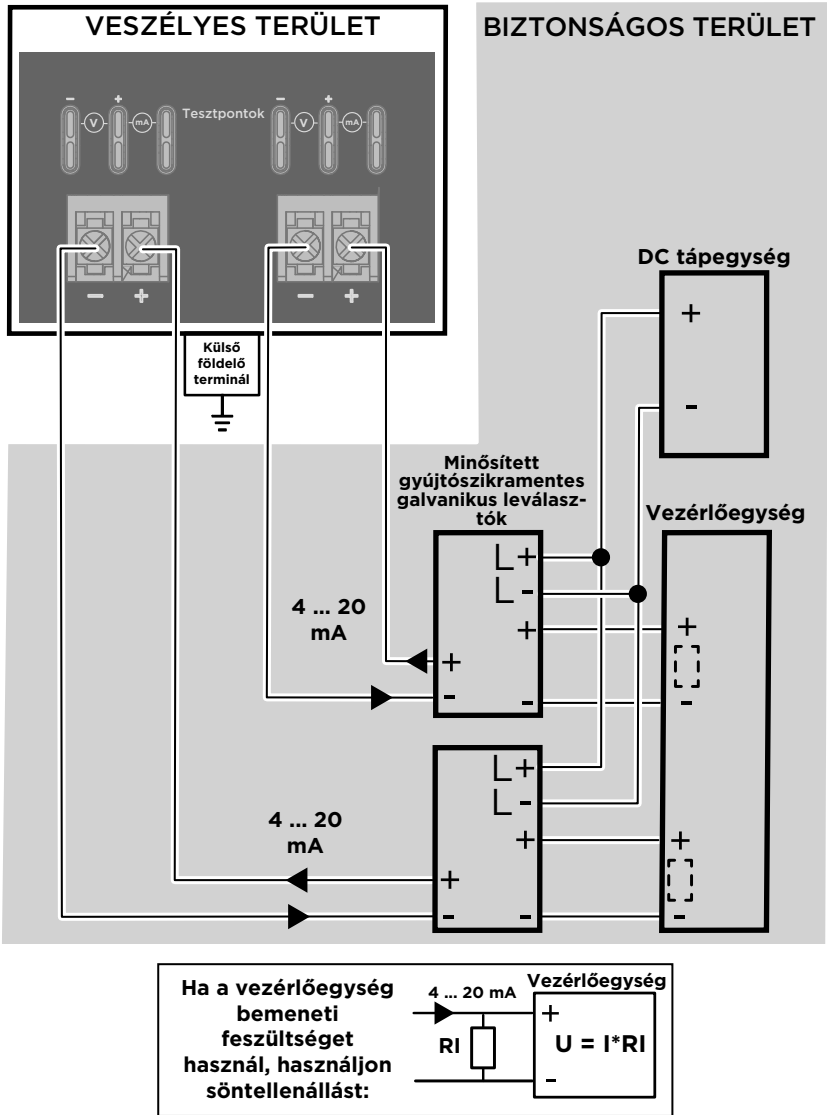


Ábra 46 Multiméteres tesztpontok áttekintése



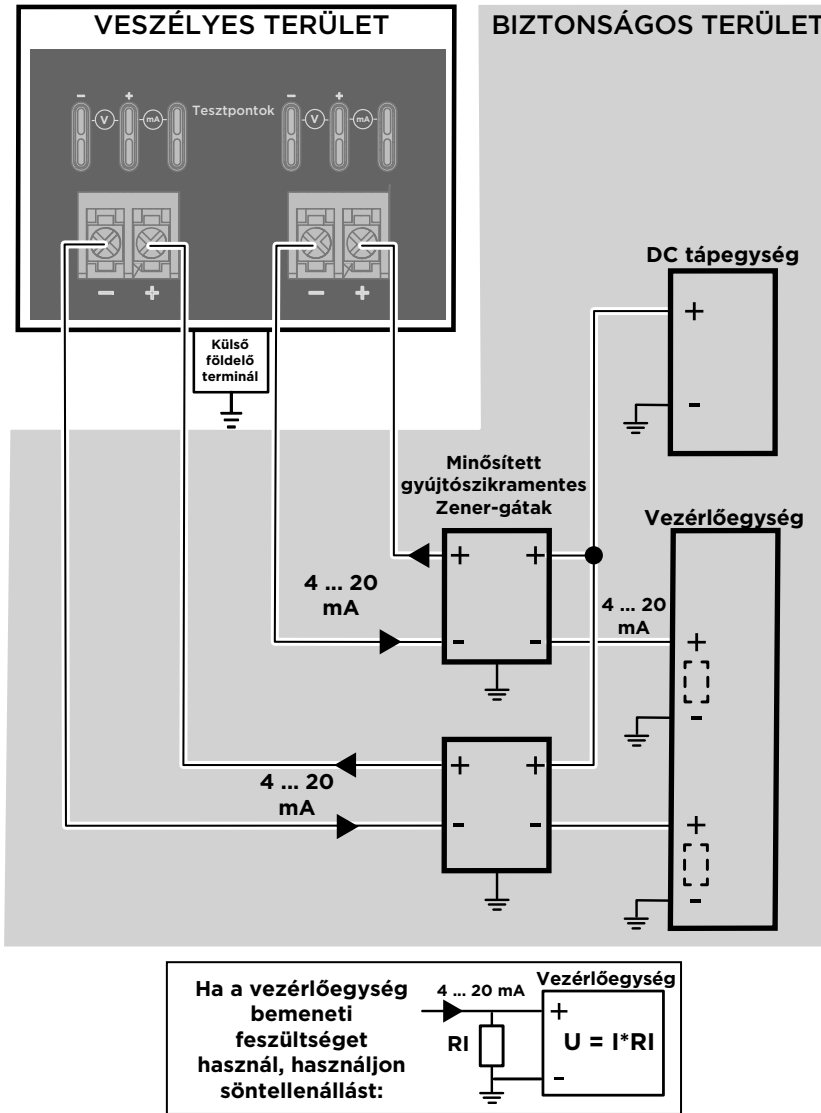
**FIGYELMEZTETÉS** A szervizportot (lásd [Ábra 44 \(oldal 139\)](#)) csak biztonságos helyen szabad használni. Távolítsa el az adókészüléket a veszélyes területről, vagy győződjön meg arról, hogy a veszélyes területen biztonságos munkavégzési eljárást valósítottak meg. Csak a Vaisala tartozék PC csatlakozókábelt használja a szervizporthoz.

### 4.3 Bekötés galvanikus leválasztókkal



Ábra 47 Bekötési rajz galvanikus leválasztókkal

## 4.4 Bekötés Zener-gáttal



Ábra 48 Bekötési rajz Zener-gáttal

## Karbantartási és kalibrálási szolgáltatások



A Vaisala átfogó ügyfélszolgálatot kínál mérőeszközeinek és rendszereinek teljes életciklusa alatt. Világszerte biztosítjuk gyári szolgáltatásaink gyors teljesítését. További információ: [www.vaisala.com/calibration](http://www.vaisala.com/calibration).

- A Vaisala Online áruház [store.vaisala.com](http://store.vaisala.com) elérhető a legtöbb országban. Böngészhet termékkínálat szerint az ajánlatban, és megrendelheti a megfelelő tartozékokat, alkatrészeket, illetve a karbantartási és kalibrálási szolgáltatásokat.
- A helyi karbantartási és kalibrálási szakértővel való kapcsolatfelvételhez lásd [www.vaisala.com/contactus](http://www.vaisala.com/contactus).

## Jótállás

A szokásos jótállási feltételeket lásd: [www.vaisala.com/warranty](http://www.vaisala.com/warranty).

Kérjük, vegye figyelembe, hogy az ilyen jótállás nem érvényes a normál kopás, kivételes üzemeltetési körülmények, gondatlan kezelés vagy beszerelés, illetve jogosulatlan módosítás által okozott károsodás esetén. Kérjük, olvassa el a vonatkozó szállítási szerződést vagy az Eladási feltételeket az egyes termékekre vonatkozó jótállási részletekért.

## Műszaki támogatás



Lépjen kapcsolatba a Vaisala műszaki támogatásával itt: [helpdesk@vaisala.com](mailto:helpdesk@vaisala.com)

Adja meg legalább a következő támogató információkat, ha elérhető:

- Termék neve, modell és sorozatszám
- Szoftver/firmware verzió
- A telepítési helyszín neve és helye
- Azon műszaki személy neve és elérhetősége, aki további információt nyújthat a problémáról

További információkért lásd: [www.vaisala.com/support](http://www.vaisala.com/support)

## Újrahasznosítás



Hasznosítsa újra az összes alkalmazandó anyagot.



A termék és a csomagolás ártalmatlanításához kövesse a törvényi előírásokat.



# 1 Úvodní informace o sondách řady HMT370EX

Snímač vlhkosti a teploty Vaisala HUMICAP® řady HMT370EX je ideálním řešením pro měření vlhkosti v nebezpečných oblastech. Jiskrově bezpečný a robustní zařízení HMT370EX pracuje bezpečně a spolehlivě i v těch nejnebezpečnějších oblastech, jako je zóna 0. Snímače HMT370EX lze použít jako náhradu za dlouhodobě fungující řadu snímačů HMT360 ve všech aplikacích HMT360.

HMT370EX lze instalovat přímo do výbušných prostředí. Dokáže odolat nepřetržitému vystavení potenciálně výbušnému prostředí, které obsahuje hořlavé plyny nebo prach, a nevyžaduje žádné další ochranné kryty pro provoz v prostředí s plynem nebo prachem.

HMT370EX nabízí několik variant sond pro různé aplikace. Díky odnímatelnému modulu sondy lze sondy snadno vyměnit a vyjmout pro kalibraci mimo nebezpečnou oblast, aniž by bylo nutné vyjmout celý snímač.

Snímač má 2 analogové proudové výstupní kanály (4–20 mA) pro připojení přes bezpečnostní bariéry. Pro snadný přístup ke konfiguračním, diagnostickým, kalibračním a seřizovacím funkcím lze tělo sondy a snímače připojit k počítačovému softwaru Vaisala Insight pro konfiguraci, a to buď společně, nebo každou jednotku samostatně.

## 1.1 Základní funkce a možnosti

- Dostupné parametry měření: relativní vlhkost (RH) a teplota (T)
  - Vypočítané parametry měření zahrnují <sup>1)</sup>: teplota rosného bodu, teplota vlhkého teploměru, absolutní vlhkost, směšovací poměr, koncentrace vody, hmotnostní podíl vody, tlak vodní páry, entalpie a vlhkost oleje/paliva se speciálními modely
- Klasifikace Ex: Certifikace IECEx a ATEX pro použití v prostředích zóny 0 a zóny 20: úplní klasifikace Ex viz [Tabulka 41 \(strana 152\)](#).
- 2 analogové výstupy (4–20 mA, škálovatelné, izolované)
- Volby zobrazení: model s grafickým LCD displejem nebo bez displeje
- Vstup napájení: 12–28 V
- Kompatibilní s počítačovým softwarem Vaisala Insight

## 1.2 Další informace

Další informace o používání, konfiguraci a údržbě snímače po instalaci viz *HMT370EX User Guide* (dostupná na stránce [www.vaisala.com/HMT370EX](http://www.vaisala.com/HMT370EX)).

1) Další dostupné vypočítané parametry: viz informace o produktu na webu [vaisala.com](http://vaisala.com)

## 2 Použití snímačů řady HMT370EX v nebezpečném prostředí



**UPOZORNĚNÍ** Chráněná instalace pomocí galvanických izolátorů nebo Zenerových bariér je v nebezpečném prostředí povinná.

V nebezpečných prostředích vždy snímače připojte pomocí galvanických izolátorů nebo Zenerových bariér. Galvanický izolátor nebo Zenerovu bariéru je také nutno použít, pokud jsou snímač a tělo sondy umístěné v bezpečném prostoru, ale hlava sondy je instalována v nebezpečném prostředí. Informace o zapojení najdete ve schématech zapojení galvanického izolátoru a Zenerovy bariéry obsažených v tomto dokumentu.

HMT370EX neobsahuje galvanický izolátor ani Zenerovu bariéru. Lze je objednat jako volitelné příslušenství od společnosti Vaisala.



**UPOZORNĚNÍ** Snímače řady HMT370EX byly zkonstruovány k použití v nebezpečném prostředí odpovídajícím klasifikaci produktu. Pracovníci používající snímače HMT370EX nebo provádějící jejich instalaci či údržbu zodpovídají za stanovení vhodného ochranného konceptu pro konkrétní aplikaci, v níž jsou snímače HMT370EX používány, a za to, že klasifikace nebezpečného prostředí zařízení odpovídá požadavkům aplikace.



**UPOZORNĚNÍ** Pokud je zařízení používáno způsobem, který není určen společností Vaisala, může být narušena ochrana poskytovaná zařízením.

Snímače řady HMT370EX jsou certifikovány pro použití v nebezpečném prostředí definovaném následujícími klasifikacemi:

Tabulka 41 Klasifikace nebezpečných prostředí pro zařízení řady HMT370EX

Certifikace	Klasifikace HMT370EX
IECEX <sup>1)</sup> / ATEX <sup>2)</sup>	II 1 G Ex ia IIC T4 Ga II 1 D Ex ia IIIC T <sub>200</sub> 85 °C Da -40 °C ≤ T <sub>amb</sub> ≤ +60 °C

1) Mezinárodní certifikace

2) Certifikace EU



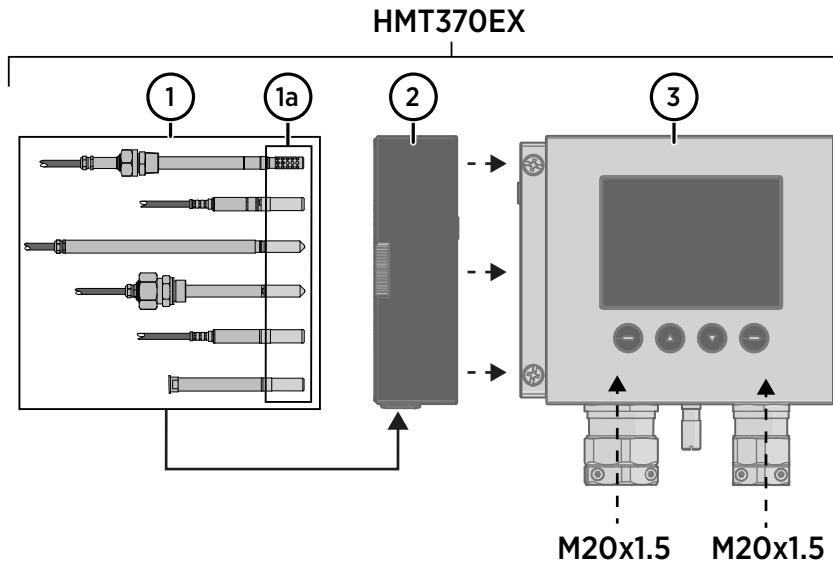


**POZOR** Pracovníci provádějící instalaci, obsluhu a údržbu snímačů HMT370EX musí mít požadované kompetence pro práci v nebezpečném prostředí definované v příslušných standardech.

Informace o standardech, které se týkají používání zařízení HMT370EX na základě klasifikace zařízení, naleznete v certifikační dokumentaci k zařízení HMT370EX a v prohlášení o souladu vydaném k zařízení HMT370EX, které je dostupné na stránce: [www.vaisala.com/declarationofconformity](http://www.vaisala.com/declarationofconformity).

## 2.1 Pravidla pro bezpečné používání v nebezpečném prostředí

### Přehled dílů zařízení řady HMT370EX



Obrázek 49 Přehled dílů zařízení HMT370EX

Snímače řady HMT370EX se skládají ze 3 hlavních částí: Tělo snímače, odnímatelné tělo sondy a hlava sondy připojená k tělu sondy, a to buď přímo, nebo pomocí kabelu. [Obrázek 49 \(strana 154\)](#) zobrazuje hlavní části.

- 1 Hlavy sondy (popis variant viz *HMT370EX User Guide*)
- 1a Filtry hlavy sondy
- 2 Tělo sondy
- 3 Tělo snímače

Různé varianty hlavy sondy jsou navrženy pro celou řadu aplikací a mají své vlastní specifikace. Ujistěte se, že tělo snímače, tělo sondy a hlava sondy jsou umístěny v prostředí, které odpovídá specifikaci součástí. Povolené rozsahy okolních teplot viz [Tabulka 42 \(strana 155\)](#).

Tabulka 42 Povolené rozsahy okolních teplot

Část zařízení	Povolný rozsah okolních teplot
Tělo snímače	-40 °C až +60 °C
Tělo sondy	-40 °C až +60 °C
Hlava sondy HMP371	Teplotní třída T4: -40 °C až +60 °C
Hlava sondy HMP373	<b>Verze s pryžovým kabelem:</b> Teplotní třída T6: -40 °C až +55 °C Teplotní třída T5: -40 °C až +80 °C <b>Verze kabelu FEP:</b> Teplotní třída T6: -40 °C až +55 °C Teplotní třída T5: -40 °C až +100 °C Teplotní třída T4: -40 °C až +120 °C
Hlavy sondy HMP374, HMP375, HMP377, HMP378, HMP378F a HMP378H	Teplotní třída T6: -70 °C až +55 °C Teplotní třída T5: -70 °C až +100 °C Teplotní třída T4: -70 °C až +135 °C Teplotní třída T3: -70 °C až +180 °C

## 2.1.1 Specifické podmínky použití



**POZOR** Při instalaci zařízení v oblasti zóny 0 skupiny II je nutné zajistit, aby nedocházelo k jiskření v důsledku nárazu nebo tření.

### Požadavky na zapojení

- Kabelová šroubení a kabely použité k zapojení zařízení nesmí narušit ochranu Ex.
  - Nepoužité průchodky musí být utěsněny pomocí zásepky odpovídajících klasifikací Ex.

- Zvolte takové odlehčení tahu, které bude vyhovovat dané aplikaci (buď použijte kabelová šroubení s odlehčením tahu, nebo namontujte samostatné úchytky: viz IEC 60079-14).



**POZOR** Připojujte pouze vodiče, které nejsou pod napětím. Nikdy nezapínejte napájecí vstup, dokud nedokončíte zapojení a dokud nezavřete tělo snímače.

### Jiskrová bezpečnost

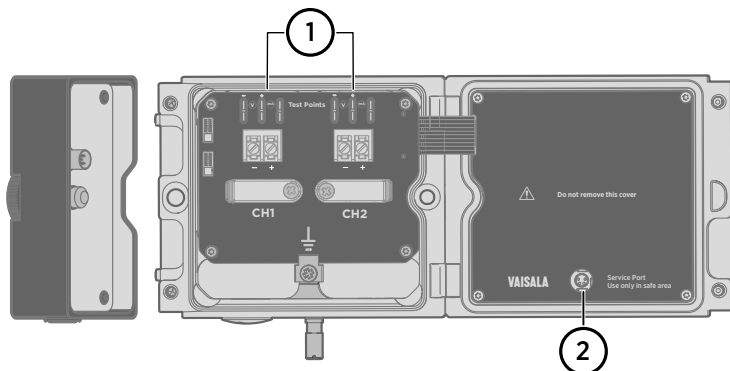
Přepětová kategorie snímačů HMT370EX je I (zařízení nepřipojená k elektrické síti) a stupeň znečištění okolí je 4, jak je uvedeno v IEC 60664-1. Informace o parametrech jiskrově bezpečných vstupů naleznete v [Tabulka 43 \(strana 156\)](#).

Tabulka 43 Parametry jiskrově bezpečného vstupu

Parametr	Hodnota	Parametry souvisejících jednotek přístroje
$U_i$	28 V ss.	$U_o \leq U_i$
$I_i$	100 mA	$I_o \leq I_i$
$P_i$	700 mW	$P_o \leq P_i$
$C_i$	12,1 nF	$C_o \geq C_i + C_{\text{kabelu}}$
$L_i$	16 $\mu$ H	$L_o \geq L_i + L_{\text{kabelu}}$

### Použití zkušebních bodů analogového výstupu

K dispozici jsou zkušební body pro měření napětí a proudů analogových výstupů, které jsou umístěny nad každou šroubovou svorkovnicí, jak je znázorněno v [Obrázek 50 \(strana 157\)](#). Přístup ke zkušebním bodům na základní desce vyžaduje otevření krytu snímače.



Obrázek 50 Umístění zkušebních bodů a servisního portu

- 1 Testovací body multimetru pro analogové výstupní kanály 1 a 2
- 2 Servisní port pro připojení k počítači



**POZOR** Kryt těla snímače nesmí být otevřen v prostředí s nebezpečím výbuchu, pokud nebylo vydáno povolení k bezpečné práci v souladu se standardem IEC 60079-14. Před otevřením krytu buď vyjměte snímač z nebezpečné oblasti, nebo zajistěte, aby byl v nebezpečné oblasti použit bezpečný pracovní postup vyhovující standardu IEC 60079-14.

Použijte jiskrově bezpečný multimetr, který nezpůsobí překročení jiskrově bezpečných vstupních parametrů uvedených v [Tabulka 43 \(strana 156\)](#) při sériovém (měření proudu) nebo paralelním (měření napětí) zapojení k souvisejícímu přístroji.

#### Používání servisního portu

Servisní port (viz [Obrázek 50 \(strana 157\)](#)) je možné používat pouze v bezpečném prostoru. Buď snímač z nebezpečné oblasti přesuňte, nebo zajistěte, aby byl v nebezpečné oblasti použit bezpečný pracovní postup. Propojovací kabel Vaisala k počítači používejte pouze se servisním portem.

#### Údržba

Sondu (včetně těla a hlavy sondy) může uživatel oddělit a vyměnit. Filtr hlavy sondy (viz [Obrázek 49 \(strana 154\)](#)) může také vyměnit uživatel. Ohledně ostatní údržby se obraťte na společnost Vaisala.



**POZOR** Sondu odpojit a vyměnit i když je snímač HMT370EX napájen. Jakákoli jiná živá údržba, včetně výměny filtru hlavy sondy, není povolena.

Obsah této kapitoly je udržován v těchto samostatně sledovaných dokumentech:	
ID dokumentu: M212506CZ	Revize: D (11. října 2021)

## 3 Díly HMT370EX

### Vnější součásti



Položky A–J odkazují na stránku s obrázkem vnějších součástí **1**, která se nachází na začátku dokumentu. Položky 1–7 odkazují na stránku s obrázkem vnitřních součástí **2**, která se nachází na začátku dokumentu.

Tabulka 44 Vnější součásti

Položka	Popis
A	Hlava sondy (pro varianty hlavy sondy HMP370EX viz <i>HMT370EX User Guide</i> )
B	Odnímatelné tělo sondy
C	Tělo vysílače (viz tabulka <i>Vnitřní části</i> )
D	LCD displej (u modelu s volitelným displejem)
E	Zobrazení tlačítek uživatelského rozhraní (pouze model s displejem)
F	Nástěnné podložky (4 ks)
G	Montážní deska (volitelně)
H	Zajišťovací kolečko tělesa sondy
I	Zemnicí svorka
J	Průchodky pro vedení (možnosti kabelových šroubení a vedení viz <i>HMT370EX User Guide</i> )

### Vnitřní části

Tabulka 45 Vnitřní části

Položka	Popis
1	Otvory pro montážní šrouby
2	Upevňovací svorky kabelů
3	Zemnicí svorka snímače
4	Servisní port snímače (M8, vyžaduje přípojovací kabel USB Vaisala)
5	Servisní port těla sondy (M12, vyžaduje přípojovací kabel USB Vaisala)
6	Zkušební body multimetru pro analogový výstupní kanál 1 a 2 pro proud a napětí
7	Šroubové svorky pro zapojení analogových výstupních kanálů 1 a 2

## 4 Instalace a zapojení



**UPOZORNĚNÍ** Instalace musí být provedena v bezpečném prostoru nebo musíte zajistit, aby byl v nebezpečné oblasti použit bezpečný pracovní postup vyhovující standardu IEC 60079-14.



**UPOZORNĚNÍ** Je-li snímač HMT370EX napájen, nesmí být v nebezpečné oblasti otevřen kryt snímače. Sondu odpojit a vyměnit i když je snímač HMT370EX napájen. Jakákoli jiná živá údržba, včetně výměny filtru hlavy sondy, není povolena.

### 4.1 Příprava před instalací

Před zahájením instalace proveďte tyto kontroly:

- Ověřte, že místo instalace odpovídá klasifikaci Ex snímače: viz [Tabulka 41 \(strana 152\)](#).
- Zkontrolujte informace o nebezpečném prostředí v [Pravidla pro bezpečné používání v nebezpečném prostředí \(strana 154\)](#), kde najdete další informace o bezpečnostních požadavcích Ex týkajících se snímače HMT370EX a specifických podmínkách použití.
- Projděte si schémata zapojení obsažená v tomto dokumentu, kde najdete informace o zapojení pomocí galvanického izolátoru nebo Zenerovy bariéry.
  - [Zapojení pomocí galvanických oddělovačů \(strana 165\)](#)
  - [Zapojení pomocí Zenerových bariér \(strana 166\)](#)
- Při výběru kabelových šroubení a záslepek pro konkrétní aplikaci ověřte, že všechny položky odpovídají klasifikaci Ex. Kabelová šroubení a zátky musí být vodotěsná a prachotěsná.

#### Informace o zapojení



**UPOZORNĚNÍ** Chráněná instalace pomocí galvanických izolátorů nebo Zenerových bariér je v nebezpečném prostředí povinná.



**POZOR** Při plánování zapojení vaší aplikace nezapomeňte, že kanál 1 (CH1) musí být zapojen vždy. Snímač přijímá energii přes šroubové svorky kanálu 1 a nezapne se, pokud je zapojen pouze kanál 2 (CH2).



**POZOR** Zajistěte, aby byl snímač napájen správně. 12 V ss. je minimální napětí za všech podmínek, měřeno na šroubových svorkách snímače. Pokud je napájecí napětí nižší než 12 V ss., může být analogový výstupní proud chybový.

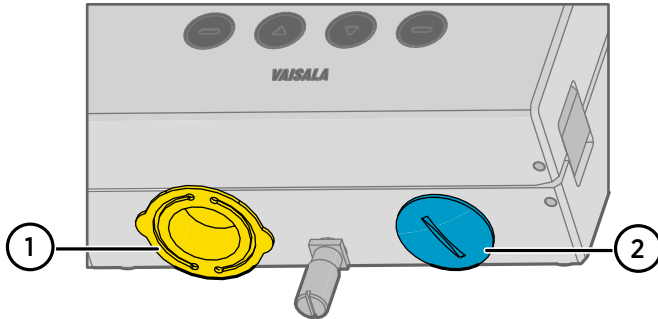




Na odizolované vodiče se doporučuje použít dutinky, aby se zajistilo bezpečné spojení se šroubovými svorkami.

### Výběr průchodek a výchozí konektory

HMT370EX se dodává se 2 různými typy konektorů na průchodkách vysílače, jak je znázorněno v [Obrázek 51 \(strana 161\)](#).



Obrázek 51 Výchozí zapojení do průchodek zařízení HMT370EX

- 1 Odnímatelný plastový přepravní kryt: musí být vyměněn (sklopit strany přepravního krytu k sobě a vytáhnout)
- 2 Kovová těsnicí zátka: lze použít ve finální instalaci

Plastový přepravní kryt (1) musí být při zapojování snímače HMT370EX. vždy nahrazen kabelovým šroubením, vedením nebo těsněním vyhovujícím Ex. Kovovou těsnicí zátku (2) lze ponechat na místě a použít ve finální instalaci, pokud není použit pravý průchod. Možnosti kabelových šroubení a vedení viz *HMT370EX User Guide*.

## 4.2 Instalace HMT370EX



- Šrouby pro montáž snímače:
  - Instalace přímo přes tělo snímače: 2 šrouby Ø 5,5 mm
  - Instalace s volitelnou montážní deskou: 4 šrouby Ø 5,5 mm a 2 inbusové šrouby M6
- Křížový šroubovák na zajištěné šrouby snímače a šroubové elektrické svorky
- Plochý šroubovák na zemnicí svorku
- Kabelová šroubení, vedení a konektory podle požadavků aplikace a vhodné nástroje pro jejich připevnění a utažení
- Štípací kleště

### **Volitelně:**

- Krimpovací kleště a dutinky
- Inbusový klíč (5 mm) pro zajišťovací kolečko tělesa sondy
- Multimetr pro testování analogových výstupů odpovídající klasifikaci Ex



Kroky 1–7 odkazují na ilustrace 1–7 na stránkách s obrázky **3** a **4** na začátku dokumentu.

- ▶ 1. Vyberte povrch (například stěnu) pro instalaci snímače. Snímač můžete namontovat přímo na instalační povrch pomocí 2 šroubů nebo použít volitelnou montážní desku, která se připevňuje k zadní části snímače.
  - a. Instalace bez montážní desky: připevněte tělo snímače přímo na instalační povrch pomocí 2 šroubů Ø 5,5 mm. Otvor pro levý šroub má rozšířený vertikální prostor pro nastavení polohy snímače po jeho nasazení na pravý šroub.
  - b. Instalace pomocí montážní desky: montážní desku připevněte na instalační povrch pomocí 4 šroubů Ø 5,5 mm a poté připevněte snímač k montážní desce pomocí 2 inbusových šroubů M6.
2. Podle požadavků aplikace připojte kabelová šroubení (1 nebo 2) ke kabelovým průchodkám. Dodržujte požadavky na kabelová šroubení uvedené v dokumentu [Specifické podmínky použití \(strana 155\)](#).
  - Obě průchodky jsou opatřeny závity M20x1,5.
  - Případně nepoužité průchodky uzavřete těsněním odpovídající klasifikaci Ex.
  - Kabelová šroubení a zátky musí být vodotěsné a prachotěsné.

3. Připravte kabeláž podle potřeby dané aplikace (kabeláž buď přes 1, nebo přes 2 průchodky).
  - a. Odizolujte kabelové vodiče: doporučuje se na kontaktní konce vodičů nasadit dutinky.
  - b. Otevřete kabelové šroubení a vhodnou délku kabelu protáhněte kabelovou průchodkou snímače.
  - c. Utáhněte kabelové šroubení: maximální těsnost naleznete v pokynech ke šroubení použitému v dané aplikaci.
  - d. Pokud instalace nevyžaduje použití obou průchodek, nepoužitou průchodku uzavřete pomocí těsnění odpovídajícího klasifikaci Ex.
4. Šroubové svorky připojte podle potřeby v dané aplikaci. Schémata zapojení chráněné instalace viz [Zapojení pomocí galvanických oddělovačů \(strana 165\)](#) a [Zapojení pomocí Zenerových bariér \(strana 166\)](#).
  - a. Rozevřete upevňovací svorky kabelů pod šroubovými svorkami a provedte kabely ke svorkám skrz tyto svorky.
  - b. Připojte vodiče ke šroubovým svorkám.



Kanal 1 (CH1) musí být vždy zapojen. Snímač přijímá energii přes šroubové svorky CH1 a nezapne se, pokud je připojen pouze kanál 2 (CH2).

- c. Upravte délku vodičů a zavřete upevňovací svorky kabelů tak, aby držely kabely na místě.

**Volitelně:** Pokyny ke zkoušení úrovně analogového výstupu pomocí multimetru viz [krok 8](#).

5. Zavřete kryt snímače a utáhněte zajištěné šrouby a poté připevněte tělo sondy ke snímači.




Tělo sondy postačuje dotáhnout zajišťovacím kolečkem pomocí prstů. Abyste zabránili odpojení těla sondy bez použití nástrojů, můžete dotáhnout zajišťovací kolečko ještě inbusovým klíčem (5 mm).

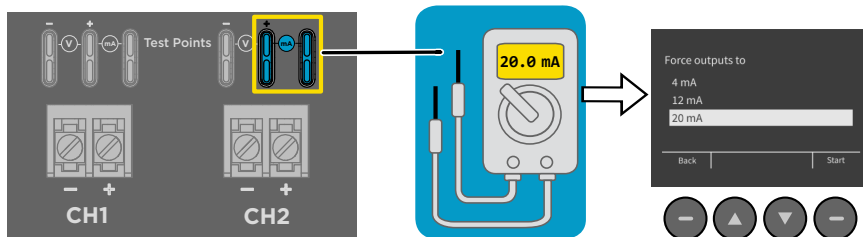
6. Namontujte hlavu sondy do oblasti, ve které chcete měřit.



Sondy řady HMT370EX jsou navrženy pro různé aplikace s různými požadavky na instalaci. Pokyny k instalaci specifické pro sondu viz [HMT370EX User Guide](#).

7. Připojte zemnicí svorku na spodní straně snímače k zemnicímu prvku místa instalace pomocí zemnicího vodiče 4 mm<sup>2</sup>. Po uzemnění snímače zapněte vstup napájení.

8. **Volitelně:** chcete-li ověřit výstupní úroveň analogových výstupních kanálů, vyzkoušejte připojení následujícím způsobem:
- Odpojte tělo sondy a otevřete kryt snímače.
  - Připojte multimetr ke zkušební bodům mA umístěným nad výstupními šroubovými svorkami na základní desce snímače (umístění svorek viz stránka s obrázkem **2** na začátku dokumentu).
-  Vždy používejte multimetr odpovídající klasifikaci Ex. Výstupní parametry multimetru musí být kompatibilní se vstupními parametry snímače.
- Spustíte zkušební režim výstupu buď pomocí rozhraní displeje vysílače, nebo, pokud používáte vysílač bez displeje, připojením vysílače k počítačovému softwaru Insight. Pokyny k používání zkušební režimu výstupu s rozhraním displeje a počítačovým softwarem Insight najdete v části *HMT370EX User Guide*.
  - Po ověření výstupu odstraňte multimetr, zavřete kryt snímače a znovu připojte tělo sondy.

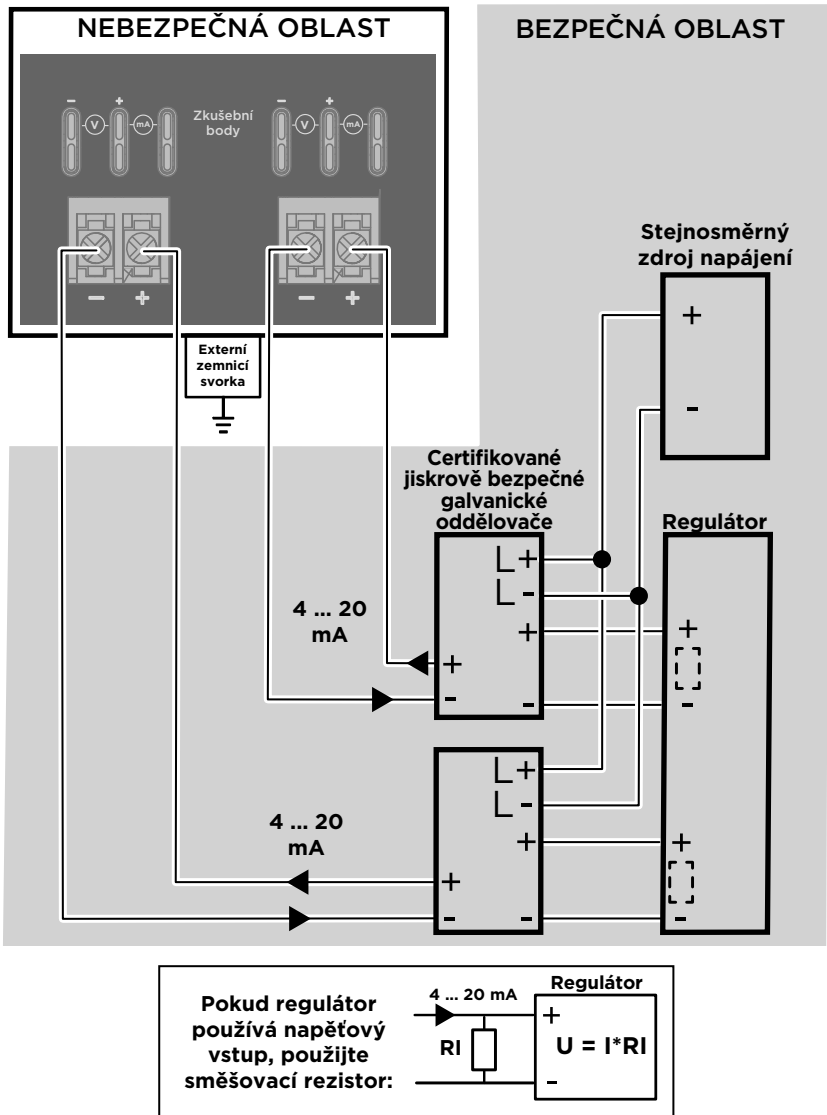


Obrázek 52 Přehled zkušebních bodů multimetru



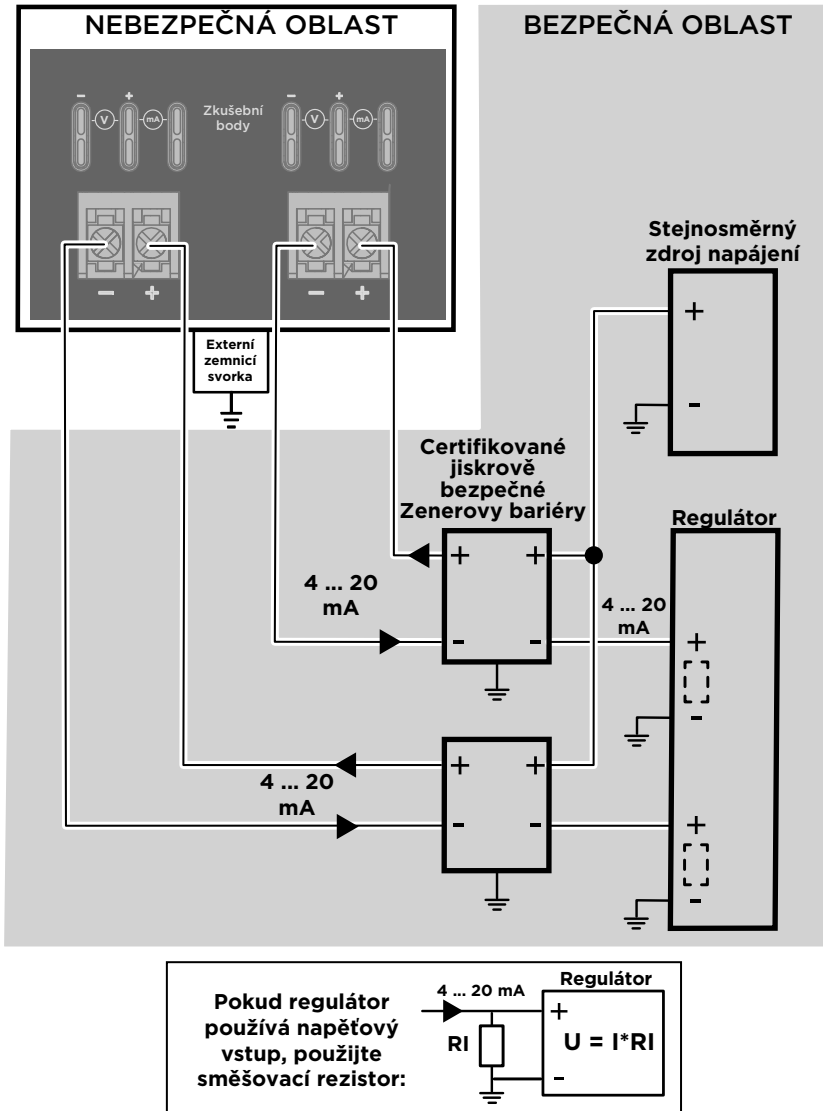
**POZOR** Servisní port (viz [Obrázek 50 \(strana 157\)](#)) je možné používat pouze v bezpečném prostoru. Buď snímač z nebezpečné oblasti přesuňte, nebo zajistěte, aby byl v nebezpečné oblasti použit bezpečný pracovní postup. Propojovací kabel Vaisala k počítači používejte pouze se servisním portem.

## 4.3 Zapojení pomocí galvanických oddělovačů



Obrázek 53 Schéma zapojení s galvanickými izolátory

## 4.4 Zapojení pomocí Zenerových bariér



Obrázek 54 Schéma zapojení se Zenerovými bariérami

## Služby údržby a kalibrace



Společnost Vaisala nabízí komplexní péči o zákazníka po celou dobu životnosti našich měřicích přístrojů a systémů. Naše tovární služby jsou poskytovány po celém světě s rychlými dodávkami. Další informace viz [www.vaisala.com/calibration](http://www.vaisala.com/calibration).

- Pro většinu zemí je k dispozici online obchod společnosti Vaisala na stránce [store.vaisala.com](http://store.vaisala.com). Nabídku můžete procházet podle modelů produktů a objednat si správné příslušenství, náhradní díly nebo služby údržby a kalibrace.
- Kontakt na místního odborníka na údržbu a kalibraci najdete na stránce [www.vaisala.com/contactus](http://www.vaisala.com/contactus).

## Záruka

Standardní záruční podmínky naleznete na adrese [www.vaisala.com/warranty](http://www.vaisala.com/warranty).

Připomínáme, že taková záruka nemusí být platná v případě poškození v důsledku běžného opotřebení, výjimečných provozních podmínek, nedbalé manipulace nebo instalace, případně neoprávněných úprav. Podrobnosti o záruce na každý produkt naleznete v příslušné dodavatelské smlouvě nebo v obecných podmínkách prodeje.

## Technická podpora



Technickou podporu společnosti Vaisala kontaktujte na adrese [helpdesk@vaisala.com](mailto:helpdesk@vaisala.com). Podle okolností uveďte alespoň tyto podpůrné informace:

- Název, model a sériové číslo produktu
- Verze softwaru/firmwaru
- Název a umístění místa instalace
- Jméno a kontaktní informace technické osoby, která může k problému poskytnout další informace

Další informace viz [www.vaisala.com/support](http://www.vaisala.com/support).

## Recyklace



Veškerý příslušný materiál recyklujte.



Dodržujte zákonné předpisy pro likvidaci výrobku i jeho obalu.





# 1 Wprowadzenie do serii HMT370EX

Przetwornik wilgotności i temperatury Vaisala HUMICAP® serii HMT370EX to idealne rozwiązanie do pomiaru wilgotności w strefach zagrożenia. Iskrobezpieczny i wytrzymały, HMT370EX działa bezpiecznie i niezawodnie nawet w najbardziej niebezpiecznych miejscach, w tym należących do strefy zagrożenia 0. Przetworniki HMT370EX mogą służyć jako zamiennik obecnego od dawna na rynku przetwornika HMT360 we wszystkich jego zastosowaniach.

HMT370EX może być montowany bezpośrednio w strefach zagrożenia wybuchem. Wytrzymuje ciągłą ekspozycję na potencjalnie wybuchową atmosferę z zawartością łatwopalnych gazów lub pyłów i jest w stanie działać w środowiskach gazowych lub pyłowych bez żadnych dodatkowych osłon ochronnych.

Do HMT370EX jest dostępnych kilka sond do różnych zastosowań. Dzięki odłączanemu modułowi sondy można łatwo wymieniać i wyjmować w celu kalibracji poza strefą zagrożenia bez konieczności demontażu całego przetwornika.

Przetwornik posiada 2 analogowe kanały wyjścia prądowego (4–20 mA) do podłączenia przez bariery ochronne. W celu ułatwienia konfiguracji, diagnostyki, kalibracji i regulacji sondę i przetwornik można podłączyć do oprogramowania komputerowego Vaisala Insight zarówno oddzielnie, jak i jako cały zespół.

## 1.1 Podstawowe funkcje i opcje

- Dostępne parametry pomiaru: wilgotność względna (RH) i temperatura (T)
  - Obliczane parametry pomiaru to m.in. <sup>1)</sup>: temperatura punktu rosy, temperatura mokrego termometru, wilgotność bezwzględna, proporcje mieszania, stężenie wody, udział masowy wody, prężność pary wodnej, entalpia i wilgotność oleju/paliwa w specjalnych modelach
- Klasyfikacja Ex: certyfikaty IECEx i ATEX dopuszczenia do użytku w środowiskach strefy 0 i strefy 20; pełna lista klasyfikacji EX znajduje się na stronie [Tabela 46 \(strona 170\)](#).
- 2 wyjścia analogowe (4–20 mA, skalowalne, separowane)
- Opcje wskazywania: graficzny wyświetlacz LCD lub model bez wyświetlacza
- Wejście zasilania: 12 ... 28 V
- Kompatybilność z programem komputerowym Vaisala Insight

## 1.2 Więcej informacji

Więcej informacji na temat korzystania z przetwornika i serwisowania go po montażu zawiera *HMT370EX User Guide* (do pobrania ze strony [www.vaisala.com/HMT370EX](http://www.vaisala.com/HMT370EX)).

1) *Dodatkowe dostępne obliczane parametry: patrz informacje o produkcie na stronie [vaisala.com](http://vaisala.com)*

## 2 Korzystanie z przetworników serii HMT370EX w strefach zagrożenia



**OSTRZEŻENIE** W strefach zagrożenia obowiązkowe jest zabezpieczenie instalacji za pomocą separatorów galwanicznych lub barier Zenera.

W strefach zagrożenia przetworniki muszą być podłączone za pośrednictwem separatorów galwanicznych lub barier Zenera. Separator galwaniczny lub barierę Zenera należy również zastosować, gdy przetwornik i korpus sondy znajdują się w miejscu bezpiecznym, ale głowica sondy jest zamontowana w środowisku, w którym występuje zagrożenie. Niniejszy dokument zawiera również schematy instalacji separatora galwanicznego i bariery Zenera.

HMT370EX nie zawiera separatora galwanicznego ani bariery Zenera. Można je zamówić jako opcjonalne akcesoria w firmie Vaisala.



**OSTRZEŻENIE** Przetworniki serii HMT370EX są przystosowane do użytku w strefach zagrożenia wskazanych w klasyfikacji produktu. Osoby montujące, obsługujące lub serwisujące przetworniki HMT370EX są zobowiązane do opracowania odpowiedniej metody ochrony w zastosowaniu, w którym HMT370EX jest wykorzystywany, oraz sprawdzenia, czy klasyfikacja strefy zagrożenia urządzenia spełnia wymagania zastosowania.



**OSTRZEŻENIE** Użytkowanie sprzętu w sposób inny niż określony przez firmę Vaisala, może mieć negatywny wpływ na ochronę zapewniana przez sprzęt.

Przetworniki serii HMT370EX są dopuszczone do użytku w strefach zagrożenia w rozumieniu następującej klasyfikacji:

Tabela 46 Klasyfikacje stref zagrożenia sondy serii HMT370EX

Certyfikat	Klasyfikacja HMT370EX
<sup>1)</sup> IECEx / <sup>2)</sup> ATEX	II 1 G Ex ia IIC T4 Ga II 1 D Ex ia IIIC T <sub>200</sub> 85°C Da -40°C ≤ T <sub>amb</sub> ≤ +60°C

1) Certyfikat międzynarodowy

2) certyfikat UE

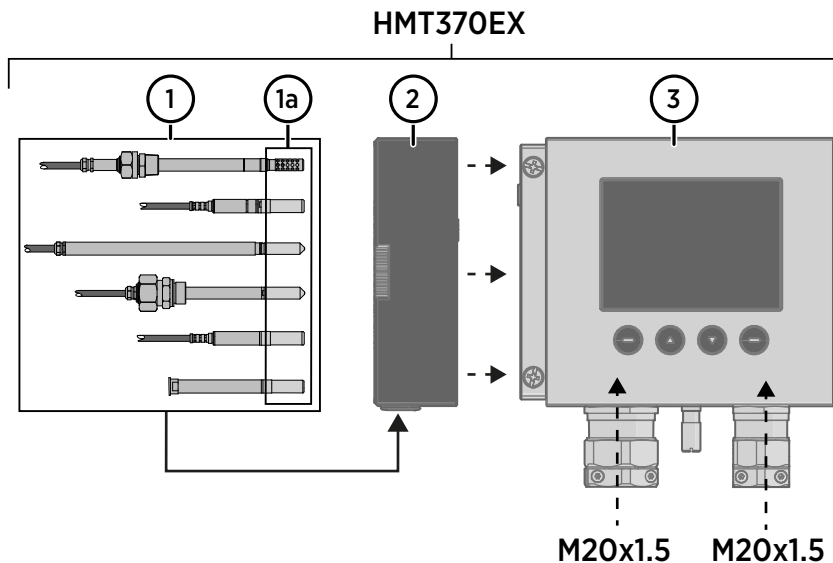


**UWAGA** Osoby montujące, obsługujące i serwisujące przetworniki HMT370EX muszą posiadać wymagane kwalifikacje do pracy w danej strefie zagrożenia, które są określone w stosownych normach.

Informacje dotyczące norm mających zastosowanie do korzystania z HMT370EX na podstawie klasyfikacji urządzenia znajdują się w dokumentacji certyfikacji HMT370EX oraz deklaracjach zgodności dotyczących HMT370EX, które są dostępne na stronie [www.vaisala.com/declarationofconformity](http://www.vaisala.com/declarationofconformity).

## 2.1 Zasady bezpiecznego użytkowania w warunkach zagrożenia

### Wykaz części produktów serii HMT370EX



Rysunek 55 Wykaz części HMT370EX

Przetworniki serii HMT370EX składają się z 3 głównych części: korpusu przetwornika, odłączanego korpusu sondy i głowicy sondy przymocowanej do korpusu sondy, bezpośrednio lub za pomocą kabla. [Rysunek 55 \(strona 172\)](#) przedstawia główne części.

- 1 Głowice sondy (opisy wariantów zawiera *HMT370EX User Guide*)
- 1a Filtry głowicy sondy
- 2 Korpus sondy
- 3 Korpus przetwornika

Głowice sondy występują w wielu wariantach przeznaczonych do określonych zastosowań i różniących się właściwościami. Należy uważać, aby właściwości korpusu przetwornika, korpusu sondy i głowicy sondy spełniały wymagania środowiska, w którym umieszczono daną część. Dozwolone temperatury otoczenia zawiera [Tabela 47 \(strona 173\)](#).

Tabela 47 Zakresy dozwolonych temperatur otoczenia

Część	Zakres dozwolonych temperatur otoczenia
Korpus przetwornika	-40°C ... +60°C
Korpus sondy	-40°C ... +60°C
Głowica sondy HMP371	Klasa temperaturowa T4: -40°C ... +60°C
Głowica sondy HMP373	<b>Wersja z kablem w izolacji z gumy:</b> Klasa temperaturowa T6: -40°C ... +55°C Klasa temperaturowa T5: -40°C ... +80°C <b>Wersja z kablem w izolacji z FEP:</b> Klasa temperaturowa T6: -40°C ... +55°C Klasa temperaturowa T5: -40°C ... +100°C Klasa temperaturowa T4: -40°C ... +120°C
Głowice sondy HMP374, HMP375, HMP377, HMP378, HMP378F i HMP378H	Klasa temperaturowa T6: -70°C ... +55°C Klasa temperaturowa T5: -70°C ... +100°C Klasa temperaturowa T4: -70°C ... +135°C Klasa temperaturowa T3: -70°C ... +180°C

## 2.1.1 Specjalne warunki użytkowania



**UWAGA** W przypadku instalacji urządzenia w obszarze Strefy 0 Grupy II, konieczne jest upewnienie się, że nie wystąpią iskry związane z uderzeniem lub tarciem.

### Wymagania dotyczące okablowania

- Okablowanie urządzenia musi być wykonane za pomocą dławików kablowych i kabli, które nie obniżają skuteczności ochrony Ex.
  - Niewykorzystane przepusty muszą zostać uszczelnione zaślepkami spełniającymi wymogi Ex.
- Wykonanie odgiętki należy dobrać odpowiednio do zastosowania (zamontować dławiki kablowe z odgiętką lub oddzielne uchwyty odciągowe: patrz IEC 60079-14).



**UWAGA** Podłączać zawsze przewody odłączone od źródła energii. Nigdy nie włączać wejścia zasilania przed podłączeniem okablowania i zamknięciem korpusu przetwornika.

### Bezpieczeństwo samoistne

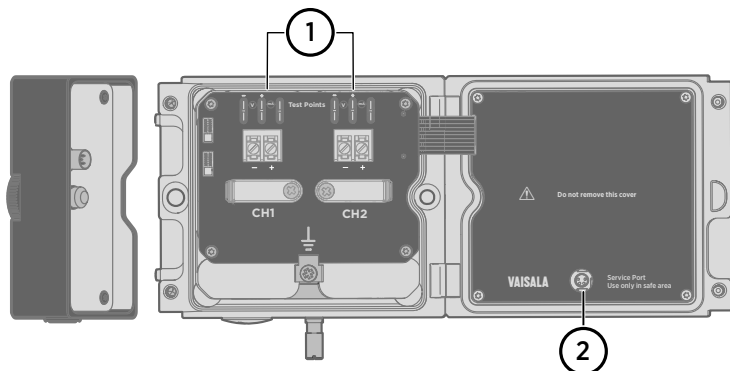
Przetworniki HMT370EX należą do kategorii przepięciowej **I** (urządzenie niazasilane bezpośrednio z sieci) w środowisku o stopniu zanieczyszczenia 4 w rozumieniu IEC 60664-1. Parametry wejścia iskrobezpiecznego zawiera [Tabela 48 \(strona 174\)](#).

Tabela 48 parametry wejścia iskrobezpiecznego

Parametr	Wartość	Parametry Entity powiązanego aparatu
$U_i$	28 V DC	$U_o \leq U_i$
$I_i$	100 mA	$I_o \leq I_i$
$P_i$	700 mW	$P_o \leq P_i$
$C_i$	12,1 nF	$C_o \geq C_i + C_{\text{kabla}}$
$L_i$	16 $\mu$ H	$L_o \geq L_i + L_{\text{kabla}}$

### Korzystanie z punktów testowania wyjścia analogowego

To są punkty testowania wartości napięcia i natężenia wyjść analogowych, położone nad poszczególnymi listwami zacisków śrubowych zaznaczonymi na rys. [Rysunek 56 \(strona 175\)](#). Dojście do punktów testowania na płycie wymaga otwarcia obudowy przetwornika.



Rysunek 56 Usytuowanie punktów testowania i portu serwisowego

- 1 Punkty testowania multimetrem kanałów wyjścia analogowego 1 i 2
- 2 Port serwisowy do podłączenia komputera



**UWAGA** Obudowy korpusu przetwornika nie wolno otwierać w obrębie strefy zagrożenia, chyba że zostało wydane pozwolenie na wykonywanie prac niebezpiecznych w rozumieniu normy IEC 60079-14. Przed otwarciem obudowy należy wynieść przetwornik poza strefę zagrożenia lub upewnić się, że w strefie zagrożenia zastosowano procedurę wykonywania prac niebezpiecznych spełniającą wymogi normy IEC 60079-14.

Pomiar musi być wykonany iskrobezpiecznym multimetrem, który nie spowoduje przekroczenia parametrów wejścia iskrobezpiecznego wyszczególnionych w [Tabela 48 \(strona 174\)](#), jeśli zostanie połączony w układzie szeregowym (pomiar prądu) lub równoległym (pomiar napięcia) z powiązonym aparatem.

#### Korzystanie z portu serwisowego

Port serwisowy (patrz [Rysunek 56 \(strona 175\)](#)) może być używany wyłącznie w obszarze bezpiecznym. Przetwornik musi zostać wyniesiony poza strefę zagrożenia lub w strefie zagrożenia musi zostać zastosowana procedura wykonywania prac niebezpiecznych spełniająca wymogi normy IEC 60079-14. Do portu serwisowego wolno podłączać wyłącznie specjalny kabel do podłączenia do komputera z programu akcesoriów Vaisala.

#### Serwisowanie

Sonda (w tym korpus i głowica sondy) może zostać odłączona i wymieniona przez użytkownika. Filtr głowicy sondy (patrz [Rysunek 55 \(strona 172\)](#)) także jest przewidziany do wymiany przez użytkownika. Wszelkie inne czynności serwisowe należy zlecać firmie Vaisala.



**UWAGA** Sondę można odłączyć i wymienić, gdy HMT370EX jest podłączony do zasilania. Żadne inne czynności konserwacyjne pod napięciem, w tym wymiana filtra głowicy sondy, nie są dozwolone.

Zawartość tego rozdziału jest aktualizowana w następującym dokumencie z własnym numerem:

ID dokumentu: M212506EN

Wersja: D (11 paź 2021)



## 3 Części HMT370EX

### Części zewnętrzne



Pozycje A–J odnoszą się do strony z ilustracją części zewnętrznych **1** na początku dokumentu. Pozycje 1–7 odnoszą się do strony **2** z ilustracją części wewnętrznych na początku dokumentu.

Tabela 49 Części zewnętrzne

Pozycja	Opis
A	Głowica sondy (opcje wariantów głowicy sondy HMP370EX przedstawia <i>HMT370EX User Guide</i> )
B	Odlączany korpus sondy
C	Korpus przetwornika (tabela <i>Części wewnętrzne</i> )
D	Wyświetlacz LCD (w modelu z wyświetlaczem)
E	Przyciski interfejsu użytkownika (tylko w modelu z wyświetlaczem)
F	Podkładki ścienne (4 szt.)
G	Płyta montażowa (opcjonalnie)
H	Pierścień ustalający korpus sondy
I	Zacisk uziemiający
J	Przepusty okablowania (opcje dławików kablowych i muf zawiera <i>HMT370EX User Guide</i> )

### Części wewnętrzne

Tabela 50 Części wewnętrzne

Pozycja	Opis
1	Otwory na śruby montażowe
2	Zaciski do mocowania kabli
3	Zacisk uziemienia przetwornika
4	Port serwisowy przetwornika (M8, wymaga kabla połączeniowego USB Vaisala)
5	Port serwisowy korpusu sondy (M12, wymaga kabla połączeniowego USB Vaisala)
6	Punkty testowania multimetrem kanałów 1 i 2 wyjścia analogowego prądu i napięcia

Pozycja	Opis
7	Zaciski śrubowe okablowania kanałów 1 i 2 wyjścia analogowego

## 4 Montaż i podłączenie



**OSTRZEŻENIE** Montaż musi zostać przeprowadzony w obszarze bezpiecznym lub pod warunkiem zaimplementowania w strefie zagrożenia procedury wykonywania prac niebezpiecznych spełniającej wymogi normy IEC 60079-14.



**OSTRZEŻENIE** Dopóki do HMT370EX dochodzi zasilanie, nie wolno otwierać obudowy przetwornika w strefie zagrożenia. Sondę można odłączyć i wymienić, gdy HMT370EX jest podłączony do zasilania. Żadne inne czynności konserwacyjne pod napięciem, w tym wymiana filtra głowicy sondy, nie są dozwolone.

### 4.1 Przygotowania do montażu

Przed rozpoczęciem montażu wykonać następujące czynności:

- Sprawdzić, czy parametry instalacji odpowiadają klasyfikacji Ex przetwornika: patrz [Tabela 46 \(strona 170\)](#).
- Więcej informacji o wymaganiach bezpieczeństwa Ex związanych z HMT370EX oraz specjalnych warunkach użytkowania zawiera [Zasady bezpiecznego użytkowania w warunkach zagrożenia \(strona 172\)](#).
- Niniejszy dokument zawiera również schematy instalacji przedstawiające sposób podłączenia separatora galwanicznego lub bariery Zenera.
  - [Podłączanie za pomocą separatorów galwanicznych \(strona 184\)](#)
  - [Podłączanie za pomocą barier Zenera \(strona 185\)](#)
- Podczas wybierania dławików kablowych i zaślepek do danego zastosowania należy sprawdzić, czy spełniają wymagania Ex. Dławiki i zaślepki muszą być wodoszczelne i pyłoszczelne.

#### Informacje o okablowaniu



**OSTRZEŻENIE** W strefach zagrożenia obowiązkowe jest zabezpieczenie instalacji za pomocą separatorów galwanicznych lub barier Zenera.



**UWAGA** Podczas planowania okablowania instalacji należy pamiętać, że kanał 1 (CH1) musi być zawsze podłączony. Przetwornik otrzymuje zasilanie poprzez zaciski śrubowe kanału 1 i jego zasilania nie można włączyć, jeśli jest podłączony tylko kanał 2 (CH2).



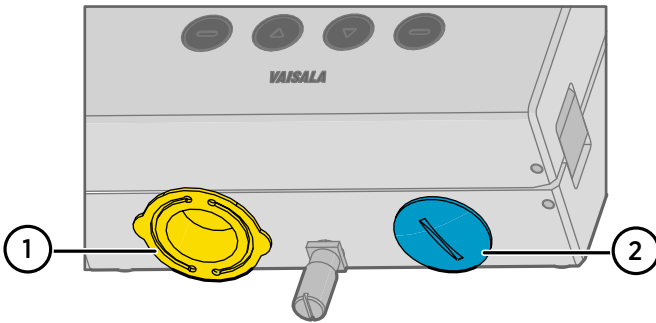
**UWAGA** Zasilanie przetwornika musi spełniać określone warunki. 12 V DC to minimalne napięcie w każdych warunkach, mierzone na zaciskach śrubowych przetwornika. Jeśli napięcie zasilania jest mniejsze niż 12 V DC, analogowy prąd wyjściowy może być błędny.



Zaleca się stosowanie końcówek tulejkowych na odizolowanych przewodach, aby zapewnić bezpieczne połączenie z zaciskami śrubowymi.

### Dobór przepustu i domyślne zaślepki

W zestawie z HMT370EX znajdują się zaślepki 2 typów na przepusty przetwornika, które przedstawia [Rysunek 57 \(strona 180\)](#).



Rysunek 57 Domyślne zaślepki w przepustach HMT370EX

- 1 Zdejmowana plastikowa osłona transportowa: musi zostać zastąpiona (złożyć boki osłony transportowej do siebie i ściągnąć ją)
- 2 Metalowa zaślepka: może być wykorzystywana w docelowej instalacji

Plastikowa osłona transportowa (1) musi zawsze zostać zastąpiona dławikiem kablowym, mufą lub zaślepką spełniającą wymagania Ex podczas podłączania HMT370EX. Metalowa zaślepka (2) może zostać tam, gdzie jest, i być wykorzystywana w docelowej instalacji, jeśli prawy przepust nie jest używany. Opcje dławików kablowych i muf zawiera *HMT370EX User Guide*.

## 4.2 Wykonywanie montażu HMT370EX



- Śruby do montażu przetwornika:
  - Wkręcanie bezpośrednio przez korpus przetwornika: 2 śruby  $\varnothing$  5,5 mm
  - Montaż na opcjonalnej płycie montażowej: 4 śruby  $\varnothing$  5,5 mm i 2 śruby imbusowe M6
- Wkrętak krzyżakowy do śrub mocujących pokrywę przetwornika i zacisków śrubowych przewodów
- Wkrętak płaski do zacisku uziemiającego
- Dławiki kablowe, mufy i zaślepki wymagane w danej instalacji oraz odpowiednie narzędzia do ich mocowania i dokręcania
- Szczypce do cięcia przewodów

### Opcjonalnie:

- Zaciskarka i końcówki tulejkowe
- Klucz imbusowy (5 mm) do pierścienia ustalającego korpus sondy
- Multimetr zgodny z Ex do testowania wyjść analogowych



Kroki 1 ... 7 odnoszą się do ilustracji 1 ... 7 na stronach z ilustracjami **3** i **4** na początku dokumentu.

- ▶ 1. Wybrać powierzchnię (np. ścianę), na której zostanie zamontowany przetwornik. Przetwornik można przykręcić bezpośrednio do powierzchni montażowej za pomocą 2 śrub lub użyć opcjonalnej płyty montażowej, która jest mocowana z tyłu przetwornika.
  - a. Montaż bez użycia płyty montażowej: przykręcić korpus przetwornika bezpośrednio do powierzchni montażowej 2 śrubami  $\varnothing$  5,5 mm. W otworze na śrubę po lewej stronie jest przewidziane nieco luzu w kierunku pionowym, aby po przykręceniu prawej śruby możliwe było wyregulowanie położenia przetwornika.
  - b. Montaż na płycie montażowej: przykręcić płytę montażową do powierzchni montażowej 4 śrubami  $\varnothing$  5,5 mm, a następnie przykręcić przetwornik do płyty montażowej 2 śrubami imbusowymi M6.
2. Wkręcić dławiki kablowe (1 lub 2) w przepusty kablowe zgodnie z wymaganiami instalacji. Wymagania dotyczące dławików kablowych zawiera [Specjalne warunki użytkowania \(strona 173\)](#).
  - W obu przepustach znajduje się gwint M20x1,5.
  - Jeśli jeden z przepustów jest niewykorzystywany, zaślepić go zaślepką spełniającą wymagania Ex.
  - Dławiki i zaślepki muszą być wodoszczelne i pyłoszczelne.

3. Przygotować przewody okablowania zgodnie z wymaganiami instalacji (przejście okablowania przez 1 lub 2 przepusty).
  - a. Ściągnąć izolację z przewodów kabla: zaleca się zamocowanie końcówek tulejkowych na końcach stykowych przewodów.
  - b. Otworzyć dławik kablowy i wsunąć odpowiedniej długości kabel do wnętrza przetwornika przez dławik.
  - c. Dokręcić dławik kablowy: moment dokręcenia jest podany w instrukcjach do dławika używanego w danej instalacji.
  - d. Jeśli w danej instalacji nie są wykorzystywane oba przepusty, ten, który jest nieużywany, musi zostać zaślepiony zaślepką spełniającą wymagania Ex.
4. Podłączyć przewody do zacisków śrubowych zgodnie z wymaganiami instalacji. Schematy połączeń w instalacji zabezpieczonej przedstawiają [Podłączanie za pomocą separatorów galwanicznych \(strona 184\)](#) i [Podłączanie za pomocą barier Zenera \(strona 185\)](#).
  - a. Otworzyć zaciski do mocowania kabli poniżej zacisków śrubowych i poprowadzić przez nie kable do zacisków śrubowych.
  - b. Podłączyć przewody do zacisków śrubowych.



Należy pamiętać, że kanał 1 (CH1) musi być zawsze podłączony. Przetwornik otrzymuje zasilanie poprzez zaciski śrubowe CH1 i jego zasilania nie można włączyć, jeśli jest podłączony tylko kanał 2 (CH2).

- c. Wyregulować długość przewodów i zamknąć zaciski do mocowania kabli, aby unieruchomić kable.

**Opcjonalnie:** Instrukcje testowania poziomu wyjścia analogowego multimetrem zawiera [krok 8](#).

5. Zamknąć pokrywę korpusu przetwornika i dokręcić śruby mocujące, a następnie przymocować korpus sondy do przetwornika.



Wystarczające jest dokręcenie korpusu sondy palcami do oporu za pomocą pierścienia ustalającego. Pierścień ustalający można dokręcić mocniej kluczem imbusowym (5 mm), aby korpus sondy nie mógł zostać odłączony bez użycia narzędzi.

6. Umieścić głowicę sondy w obszarze, w którym ma być dokonywany pomiar.



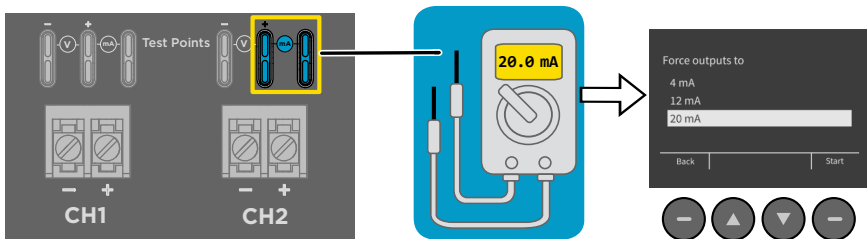
Sondy serii HMT370EX są przeznaczone do wielu zastosowań o różnych wymaganiach montażowych. Instrukcje montażu poszczególnych sond zawiera *HMT370EX User Guide*.

7. Podłączyć zacisk uziemiający na spodzie przetwornika do elementu uziemiającego instalacji za pomocą przewodu uziemiającego 4 mm<sup>2</sup>. Po uziemieniu przetwornika włączyć wejście zasilania.
8. **Opcjonalnie:** aby ustalić poziom kanałów wyjścia analogowego, należy zweryfikować połączenie w następujący sposób:
  - a. Odłączyć korpus sondy i otworzyć pokrywę przetwornika.
  - b. Podłączyć multimetr do punktów testowania mA znajdujących się nad zaciskami śrubowymi wyjścia na płycie przetwornika (usytuowanie zacisków jest przedstawione na stronie ilustracji 2 na początku dokumentu).



Podłączany multimetr musi spełniać wymagania Ex. Parametry wyjściowe multimetru muszą być zgodne z parametrami wejściowymi przetwornika.

- c. Uruchomić tryb testowania wyjścia z poziomu interfejsu na wyświetlaczu przetwornika lub, w przypadku przetwornika bez wyświetlacza, podłączając przetwornik do programu komputerowego Insight. Instrukcje obsługi trybu testowania wyjścia za pomocą interfejsu na wyświetlaczu i programu komputerowego Insight zawiera *HMT370EX User Guide*.
- d. Po zweryfikowaniu wyjścia odłączyć multimetr, zamknąć pokrywę przetwornika i ponownie zamocować korpus sondy.

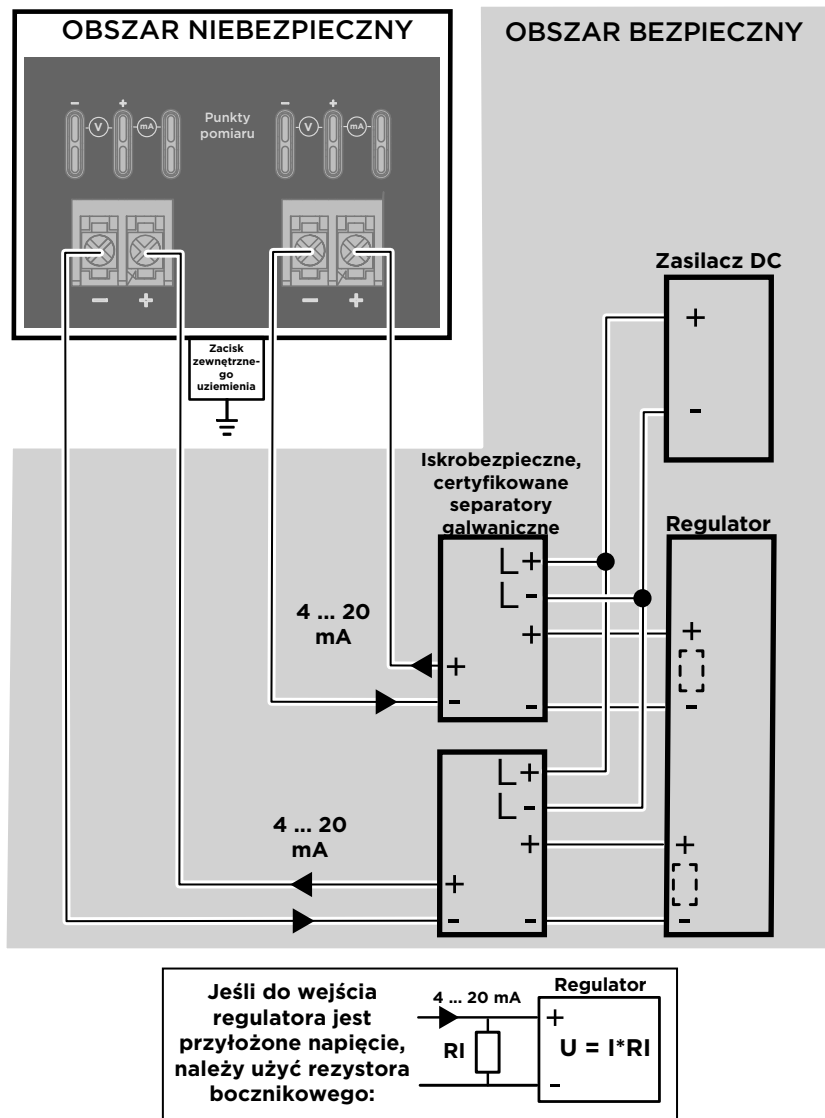


Rysunek 58 Omówienie punktu testowania multimetrem



**UWAGA** Port serwisowy (patrz [Rysunek 56 \(strona 175\)](#)) może być używany wyłącznie w obszarze bezpiecznym. Przetwornik musi zostać wyniesiony poza strefę zagrożenia lub w strefie zagrożenia musi zostać zastosowana procedura wykonywania prac niebezpiecznych spełniająca wymogi normy IEC 60079-14. Do portu serwisowego wolno podłączać wyłącznie specjalny kabel do podłączenia do komputera z programu akcesoriów Vaisala.

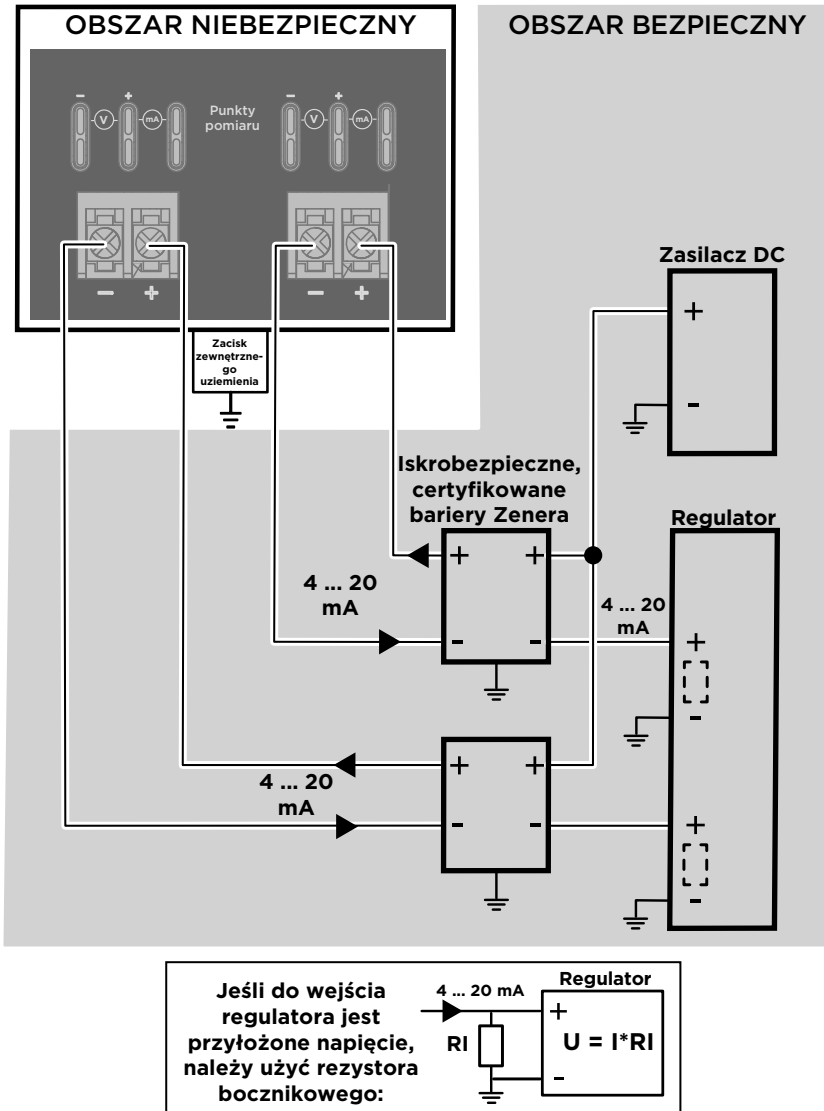
### 4.3 Podłączenie za pomocą separatorów galwanicznych



Rysunek 59 Schemat połączeń z separatorami galwanicznymi



## 4.4 Podłączenie za pomocą barier Zenera



Rysunek 60 Schemat połączeń z barierami Zenera

## Usługi serwisowania i kalibracji



Vaisala zapewnia kompleksową obsługę klienta przez cały cykl życia naszych przyrządów pomiarowych i systemów. Nasze usługi fabryczne są świadczone na całym świecie z szybkimi dostawami. Więcej informacji na stronie [www.vaisala.com/calibration](http://www.vaisala.com/calibration).

- W większości krajów można robić zakupy w sklepie internetowym Vaisala na stronie [store.vaisala.com](http://store.vaisala.com). Ofertę można przeglądać, podając model produktu, i zamawiać odpowiednie akcesoria, części zamienne lub usługi serwisowania i kalibracji.
- Dane teled adresowe lokalnych ekspertów ds. serwisowania i kalibracji znajdują się na stronie [www.vaisala.com/contactus](http://www.vaisala.com/contactus).

## Gwarancja

Standardowe warunki gwarancji są opisane na stronie [www.vaisala.com/warranty](http://www.vaisala.com/warranty).

Warunki gwarancji mogą zostać unieważnione w przypadku uszkodzenia wynikającego z normalnego zużycia w trakcie eksploatacji, nietypowych warunków pracy, niedbałości podczas obsługi lub montażu albo niedozwolonych modyfikacji. Szczegółowe zasady gwarancji na produkt są podane w odpowiedniej umowie dostawy lub warunkach sprzedaży.

## Pomoc techniczna



Pomoc techniczna Vaisala jest dostępna pod adresem [helpdesk@vaisala.com](mailto:helpdesk@vaisala.com). W zgłoszeniu należy podać co najmniej następujące informacje:

- Nazwa, model i numer seryjny produktu
- Wersja oprogramowania i oprogramowania wbudowanego
- Nazwa i adres miejsca montażu
- Nazwa i dane kontaktowe osoby technicznej, która jest w stanie udzielić dalszych informacji dotyczących problemu

Więcej informacji na stronie [www.vaisala.com/support](http://www.vaisala.com/support).

## Recykling



Wszystkie materiały muszą być poddawane recyklingowi.



Utylizacja produktu i opakowania podlega obowiązującym przepisom.

# 1 HMT370EX-sarjan esittely

Vaisala HUMICAP® HMT370EX -kosteus- ja lämpötilälähetinsarja on ihanteellinen ratkaisu räjähdysvaarallisten tilojen kosteusmittauksiin. Luontaisesti turvallinen ja kestävä HMT370EX toimii turvallisesti ja luotettavasti myös alueilla, joissa räjähdysvaara on suurin, kuten tilaluokan 0 vyöhykkeellä. HMT370EX-lähettimeä voidaan käyttää korvaamaan pitkään saatavilla ollut HMT360-lähetinsarja kaikissa HMT360-laitteiston käyttökohteissa.

HMT370EX voidaan asentaa suoraan räjähdysvaaralliselle alueelle. Sarja kestää jatkuvaa altistumista herkästi syttyville kaasuille ja pölylle räjähdysvaarallisissa ympäristöissä, eikä siihen tarvitse asentaa ylimääräistä suojakoteloita.

HMT370EX-lähettimissä on mahdollista käyttää useita mittapäävaihtoehtoja eri käyttötarkoituksiin. Irrotettavan mittapäämoduulin ansiosta mittapäät voidaan helposti vaihtaa ja poistaa räjähdysvaarallisen alueen ulkopuolella tehtävää kalibrointia varten lähettintä irrottamatta.

Lähettimessä on kaksi analogista virtalähtöä (4–20 mA) erotinkytkentöjä varten. Helppoa määritystä, diagnostiikkaa, kalibrointia sekä säätötoimia varten mittapää ja lähettimen runko voidaan yhdistää Vaisala Insight PC -ohjelmistoon yhtenä yksikkönä tai erillisinä laitteina.

## 1.1 Perustoiminnot ja -ominaisuudet

- Käytettävissä olevat mittaussparametrit: suhteellinen kosteus (RH) ja lämpötila (T)
  - Laskettuja mittaussparametreja ovat <sup>1)</sup>: kastepistelämpötila, märkälämpötila, absoluuttinen kosteus, sekoitussuhde, vesipitoisuus, vesihöyryn massaosuus, vesihöyryn paine, entalpia ja öljyn/polttoaineen kosteuspitoisuus erityisine laskentamalleineen
- Ex-luokitus: IECEx- ja ATEX-sertifioitu alueen 0 ja alueen 20 ympäristöissä: tarkat tiedot Ex-luokituksesta ovat kohdassa [Taulukko 51 \(sivu 188\)](#).
- 2 analogista lähtöä (4–20 mA, skaalattava, eristetty)
- Näyttövaihtoehdot: graafinen LCD-näyttö tai malli, jossa ei ole näyttöä
- Syöttöjännite: 12–28 V
- Yhteensopiva Vaisala Insight PC-ohjelmiston kanssa

## 1.2 Lisätietoja

Kun haluat lisätietoja lähettimen käytöstä, konfiguroinnista ja kunnossapidosta asennuksen jälkeen, katso *HMT370EX User Guide* (saatavana verkkosivulla [www.vaisala.com/HMT370EX](http://www.vaisala.com/HMT370EX)).

1) Muut käytettävissä olevat lasketut parametrit: katso tuotetiedot verkkosivulta [vaisala.com](http://vaisala.com)

## 2 HMT370EX-sarjan lähettimen käyttö räjähdysvaarallisissa tiloissa



**VAARA** Räjähdyksivaarallisessa ympäristössä laiteasennuksen suojaus galvaanisilla erottimilla tai zener-estokerroksilla on pakollista.

Räjähdyksivaarallisissa ympäristöissä lähetin pitää aina kytkeä galvaanisten erottimien tai zener-estokerroksien kautta. Galvaanista erotinta tai zener-estokerroksia on käytettävä myös silloin, kun lähetin ja mittapään runko ovat turvallisella alueella mutta mittapää räjähdysvaarallisessa ympäristössä. Lisätietoja johdotuksesta on galvaanisen erottimen ja zener-estokerroksen kytkentäkaavioissa tässä julkaisussa.

HMT370EX ei sisällä galvaanista erotinta tai zener-estokerrosta. Ne voidaan tilata lisätarvikkeina Vaisalalta.



**VAARA** HMT370EX-sarjan lähettimet on suunniteltu käytettäväksi tuoteluokituksen mukaisissa räjähdysvaarallisissa tiloissa. HMT370EX-lähetimiä asentava, käyttävä tai kunnossapitävä henkilöstö on vastuussa asianmukaisen suojausrakenteen määrittämisestä kutakin HMT370EX-laitteiston käyttötarkoitusta varten sekä siitä, että laitteen räjähdysvaarallisen alueen luokitus vastaa käyttötarkoituksen vaatimuksia.



**VAARA** Jos laitetta käytetään muulla kuin Vaisalan määrittelemällä tavalla, laitteen suojaus voi heikentyä.

HMT370EX-sarjan lähettimet on sertifioitu käytettäväksi vaarallisilla alueilla seuraavien luokitusten mukaan:

Taulukko 51 HMT370EX-sarjan mittapäiden vaarallisten alueiden luokitus

Sertifiointi	HMT370EX-lähettimen luokitus
IECEX <sup>1)</sup> / ATEX <sup>2)</sup>	II 1 G Ex ia IIC T4 Ga II 1 D Ex ia IIIC T <sub>200</sub> 85 °C Da -40 °C ≤ T <sub>amb</sub> ≤ +60 °C

1) Kansainvälinen sertifiointi

2) EU-sertifiointi

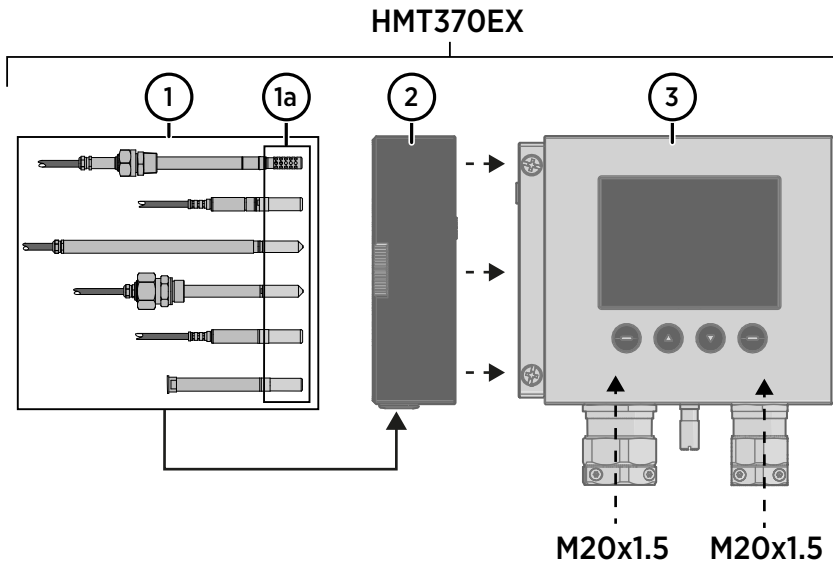


**VAROITUS** HMT370EX-lähettimeä asentavalla, käytävällä ja kunnossapitävällä henkilöstöllä on oltava sovellettavissa standardeissa määritetyt pätevyudet räjähdysvaarallisella alueella työskentelemiseen.

Tietoja HMT370EX-laitteiston käyttöön laiteluokituksen perusteella sovellettavista standardeista on HMT370EX-laitteiston sertifiointiasiakirjoissa ja siihen liittyvissä vaatimustenmukaisuusvakuutuksissa verkkosivulla [www.vaisala.com/declarationofconformity](http://www.vaisala.com/declarationofconformity).

## 2.1 Ohjeet laitteen turvallisesta käytöstä räjähdysvaarallisissa olosuhteissa

### HMT370EX-sarjan osien yleiskuvaus



Kuva 61 HMT370EX-sarjan osien yleiskuvaus

HMT370EX-sarjan lähetin koostuu kolmesta keskeisestä osasta: lähettimen runko, irrotettava mittapään runko ja mittapään kärki, joka on kiinnitetty mittapään runkoon suoraan tai kaapelilla. Osat on esitetty kohdassa [Kuva 61 \(sivu 189\)](#).

- 1 Mittapäiden kärjet (katso vaihtoehtojen kuvaukset dokumentista *HMT370EX User Guide*)
- 1a Mittapään kärjen suodattimet
- 2 Mittapään runko
- 3 Lähettimen runko

Mittapäiden eri kärkivaihtoehdot on suunniteltu erilaisiin käyttökohteisiin, ja niiden tekniset tiedot ovat erilaiset. Varmista, että lähettimen runko, mittapään runko ja mittapään kärki sijoitetaan kunkin laitteen teknisen määrittelyn mukaiseen ympäristöön. Lisätietoja sallituista ympäristön lämpötila-alueista on kohdassa [Taulukko 52 \(sivu 190\)](#).

Taulukko 52 Sallitut ympäristön lämpötila-alueet

Laite	Sallittu ympäristön lämpötila-alue
Lähettimen runko	-40 °C ... +60 °C
Mittapään runko	-40 °C ... +60 °C
Mittapää HMP371	Lämpötilaluokka T4: -40 °C ... +60 °C
Mittapää HMP373	<b>Kumikaapelilla kytketty versio:</b> Lämpötilaluokka T6: -40 °C ... +55 °C Lämpötilaluokka T5: -40 °C ... +80 °C <b>FEP-kaapelilla kytketty versio:</b> Lämpötilaluokka T6: -40 °C ... +55 °C Lämpötilaluokka T5: -40 °C ... +100 °C Lämpötilaluokka T4: -40 °C ... +120 °C
Mittapäät HMP374, HMP375, HMP377, HMP378, HMP378F ja HMP378H	Lämpötilaluokka T6: -70 °C ... +55 °C Lämpötilaluokka T5: -70 °C ... +100 °C Lämpötilaluokka T4: -70 °C ... +135 °C Lämpötilaluokka T3: -70 °C ... +180 °C

## 2.1.1 Erityiset käyttöehdot



**VAROITUS** Jos laite asennetaan tilaluokan 0 räjähdysryhmän II alueelle, tulee varmistaa, ettei alueella tapahdu iskujen tai kitkan aiheuttamaa kipinöintiä.

**Kytchentävaatimukset**

- Laitteen kytkennöissä käytettävät kaapeliläpiviennit ja kaapelit eivät saa heikentää Ex-suojausta.
  - Käyttämättömät läpiviennit on tiivistettävä Ex-vaatimusten mukaisilla tulpilla.
- Valitse käyttötarkoitukseen sopiva vedonpoisto (käytä joko kaapeliläpivientejä, joissa on vedonpoisto, tai asenna erilliset kiinnikkeet: ks. IEC 60079-14).



**VAROITUS** Kytke vain jännitteettömiä johtoja. Älä koskaan kytke virransyöttöä virtalähteestä, ennen kuin johdotus on valmis ja lähettimen runko on suljettu.

**Luontainen turvallisuus**

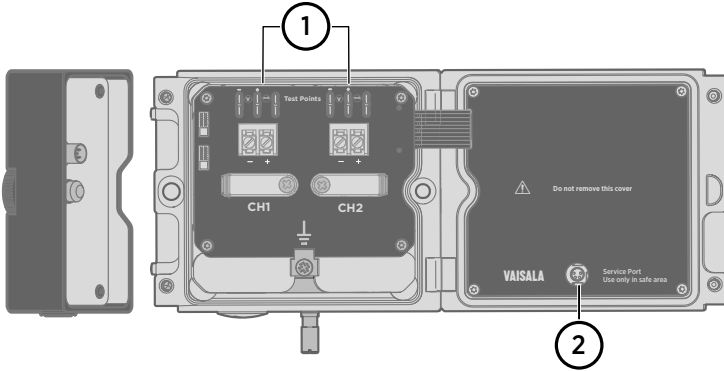
HMT370EX-lähettimeen ylijänniteluokka on IEC 60664-1 -standardin mukaan I (muu kuin verkkojännitelaitte) ja ympäristön likaantumistaso on 4. Lisätietoja luonnostaan vaarattomien tulojen parametreista on kohdassa [Taulukko 53 \(sivu 191\)](#).

**Taulukko 53 Luonnostaan vaarattomien tulojen parametrit**

Parametri	Arvo	Liittyvän laitteen parametrit
$U_i$	28 VDC	$U_o \leq U_i$
$I_i$	100 mA	$I_o \leq I_i$
$P_i$	700 mW	$P_o \leq P_i$
$C_i$	12,1 nF	$C_o \geq C_i + C_{\text{kaapeli}}$
$L_i$	16 $\mu$ H	$L_o \geq L_i + L_{\text{kaapeli}}$

**Analogialähtöjen testipisteiden käyttö**

Jokaisen ruuviliittimen yläpuolella on testipisteet analogialähtöjen jännitteiden ja virtojen mittaamista varten, katso kuva [Kuva 62 \(sivu 192\)](#). Lähettimen kotelo pitää avata, jotta piirilävyn testipisteet saadaan esille.



Kuva 62 Testipisteiden ja huoltoportin sijainti

- 1 Yleismittarin testipisteet analogialähtökanaville 1 ja 2
- 2 PC-liitännän huoltoportti



**VAROITUS** Lähettimen rungon koteloa ei saa avata räjähdysvaarallisella alueella, ellei asianmukaista työlupaa ole annettu standardin IEC 60079-14 mukaisesti. Poista lähetin räjähdysvaaralliselta alueelta ennen kotelon avaamista tai varmista, että räjähdysvaarallisella alueella noudatetaan standardin IEC 60079-14 mukaista turvallista työmenettelyä.

Käytä luontaisesti turvallista yleismittaria, joka ei aiheuta kohdassa [Taulukko 53 \(sivu 191\)](#) lueteltujen luonnostaan vaarattomien tulojen parametrien ylittymistä, kun yleismittari on kytketty sarjaan (virtamittaus) tai rinnan (jännitemittaus) mitattavan laitteen kanssa.

### Huoltoportin käyttö

Huoltoporttia (katso [Kuva 62 \(sivu 192\)](#)) saa käyttää vain turvallisella alueella. Poista lähetin räjähdysvaaralliselta alueelta tai varmista, että alueella noudatetaan turvallista työmenettelyä. Käytä huoltoportissa vain Vaisalan PC-liitäntäkaapelia (lisävaruste).

### Huolto

Käyttäjä voi irrottaa mittapään (joka sisältää mittapään rungon ja kärjen) ja vaihtaa sen. Käyttäjä voi vaihtaa myös mittapään kärjen suodattimen (katso [Kuva 61 \(sivu 189\)](#)). Jos muu huolto on tarpeen, ota yhteyttä Vaisalaan.



**VAROITUS** Mittapää voidaan irrottaa ja vaihtaa, kun HMT370EX-lähetin on virroitettu. Laitteeseen ei saa tehdä muita huoltoja, kuten mittapään suodattimen vaihtoa, sen ollessa virroitettuna.

Tämän luvun sisältöä päivitetään erikseen julkaistavassa asiakirjassa:



Asiakirjatunnus: M212506FI

Versio: D (11.10.2021)

## 3 HMT370EX-lähettimen osat

### Ulkoiset osat



Osat A–J viittaavat julkaisun alussa kuvitussivulla **1** esitettäviin ulkoiisiin osiin. Osat 1–7 viittaavat julkaisun alussa kuvitussivulla **2** esitettäviin sisäisiin osiin.

Taulukko 54 Ulkoiset osat

Osa	Kuvaus
A	Mittapään kärki (katso HMP370EX-sarjan mittapäävaihtoehtojen esittely dokumentista <i>HMT370EX User Guide</i> )
B	Irrotettava mittapään runko
C	Lähettimen runko (katso <i>Sisäiset osat</i> -taulukko)
D	LCD-näyttö (valinnaisessa näytöllä varustetusta mallissa)
E	Näytön käyttöliittymän painikkeet (vain näytöllä varustettu malli)
F	Seinäsuojus (4 kpl)
G	Asennuslevy (valinnainen)
H	Mittapään rungon lukituspyörä
I	Maadoitusliitin
J	Johdotuksen läpiviennit (kaapeliläpivienti- ja panssariputkivaihtoehdot, katso <i>HMT370EX User Guide</i> )

### Sisäiset osat

Taulukko 55 Sisäiset osat

Osa	Kuvaus
1	Reiät kiinnitysruuveille
2	Kaapelikiinnikkeet
3	Lähettimen maadoitusliitin
4	Lähettimen huoltoportti (M8, vaatii Vaisalan USB-liitäntäkaapelin)
5	Mittapään rungon huoltoportti (M12, vaatii Vaisalan USB-liitäntäkaapelin)
6	Analogialähtökanavien 1 ja 2 testipisteet yleismittarille virta- ja jännitemittauksia varten
7	Ruuviliittimet analogialähtökanavien 1 ja 2 johdotusta varten

## 4 Asennus ja johdotus



**VAARA** Asennus on suoritettava räjähdysturvallisella alueella, tai räjähdysvaarallisella alueella on noudatettava standardin IEC 60079-14 mukaista turvallista työmenettelyä.



**VAARA** Kun HMT370EX on virroitettu, lähettimen koteloa ei saa avata räjähdysvaarallisella alueella. Mittapää voidaan irrottaa ja vaihtaa, kun HMT370EX-lähetin on virroitettu. Laitteeseen ei saa tehdä muita huoltoja, kuten mittapään suodattimen vaihtoa, sen ollessa virroitettuna.

### 4.1 Asennuksen valmistelu

Tarkista seuraavat asiat ennen asennuksen aloittamista:

- Varmista, että asennuspaikka vastaa lähettimen Ex-luokitusta: katso [Taulukko 51 \(sivu 188\)](#).
- Katso kohdasta [Ohjeet laitteen turvallisesta käytöstä räjähdysvaarallisissa olosuhteissa \(sivu 189\)](#) lisätietoja HMT370EX-sarjaa koskevista, räjähdysvaarallisten Ex-tilojen turvallisuusvaatimuksista ja erityisistä käyttöedellytyksistä.
- Katso tämän julkaisun kytkentäkaavioista lisätietoja galvaanisien erottimen ja zener-estokerroksen johdotuksesta.
  - [Johdotuksen tekeminen käyttäen galvaanisia erottimia \(sivu 200\)](#)
  - [Johdotuksen tekeminen käyttäen zener-ylijännitesuojia \(sivu 201\)](#)
- Kun valitset kaapeliläpiviennit ja tulpat laitesovellusta varten, varmista, että ne ovat Ex-vaatimusten mukaisia. Läpivientien ja tulppien on oltava vesi- ja pölytiiviitä.

#### Johdotustiedot



**VAARA** Räjähdysvaarallisissa ympäristöissä laiteasennuksen suojaus galvaanisilla erottimilla tai zener-estokerroksilla on pakollista.



**VAROITUS** Kun suunnittelet laitesovelluksen johdotusta, huomaa, että kanavan 1 (CH1) on aina oltava johdotettu. Lähetin saa virtaa kanavan 1 ruuviliittimien kautta eikä käynnisty, jos ainoastaan kanava 2 (CH2) johdotetaan.



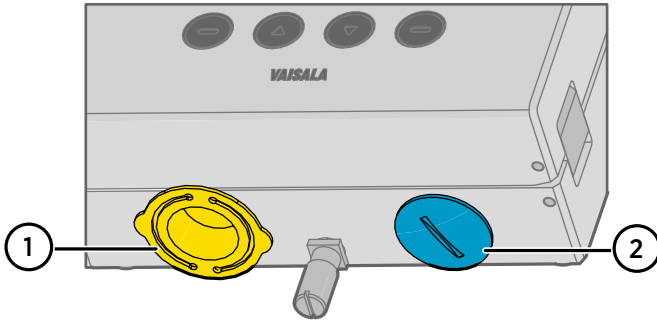
**VAROITUS** Varmista, että lähettimen virransyöttö on asianmukainen. Vähimmäisjännite on kaikissa olosuhteissa 12 VDC lähettimen ruuviliittimistä mitattuna. Jos syöttöjännite on alle 12 VDC, analogialähdön virta voi olla virheellinen.



Kuorituissa johtimissa on suositeltavaa käyttää asennusholkkeja, jotta varmistetaan turvallinen liitos ruuviliittimiin.

### Läpiviennin valinta ja oletuksena käytettävät tulpat

HMT370EX-sarjan mukana toimitetaan kaksi erilaista tulppatyyppeä, jotka asennetaan lähettimen läpivienteihin kuvan [Kuva 63 \(sivu 196\)](#) mukaisesti.



**Kuva 63** Oletustulpat HMT370EX-lähettimen läpivienneissä

- 1 Irrotettava muovinen kuljetussuojus: irrotettava ennen asennusta (taita kuljetussuojuksen sivut yhteen ja vedä ulos)
- 2 Metallinen tiivistetulppa: voidaan käyttää lopullisessa asennuksessa

Muovinen kuljetussuojus (1) on aina vaihdettava Ex-vaatimusten mukaiseen kaapeliläpivienttiin, kaapeliputkeen tai tiivisteeseen, kun teet HMT370EX.-sarjan johdotuksen. Metallinen tiivistetulppa (2) voidaan jättää paikalleen ja sitä voidaan käyttää lopullisessa asennuksessa, jos oikeanpuoleista läpivienttiä ei käytetä. Katso kaapeliläpivienti- ja kaapeliputkivaihtoehdot dokumentista *HMT370EX User Guide*.

## 4.2 HMT370EX-lähettimen asennus



- Lähettimen kiinnitysruuvit:
  - Asennus suoraan lähettimen rungon läpi: 2 kpl Ø 5,5 mm:n ruuveja
  - Asennus valinnaisella asennuslevyllä: 4 kpl Ø 5,5 mm:n ruuveja ja 2 kpl M6-kuusiokoloruuvia
- Ristipääruuvitalta lähettimen kannen lukkoruuveille ja johtimien ruuviliittimille
- Tasapääruuvitalta maadoitusliittimelle
- Laitesovelluksen edellyttämät kaapeliläpiviennit, kaapeliputket ja tulpat sekä sopivat työkalut niiden kiinnittämiseen ja kiristämiseen
- Johtimen katkaisupihdit

### Valinnainen:

- Puristustyökalu ja vaijeriholkkit
- Kuusiokoloavain (5 mm) mittapään rungon lukituspyörälle
- Ex-vaatimukset täyttävä yleismittari analogilähtöjen testaamiseen



Vaiheet 1–7 viittaavat kuvitussivujen **3** ja **4** kuviin 1–7 julkaisun alussa.

- ▶ 1. Valitse pinta (esimerkiksi seinä), johon lähetin asennetaan. Voit kiinnittää lähettimen suoraan asennuspinnalle kahdella ruuvilla tai käyttää lisävarusteena saatavaa asennuslevyä, joka kiinnitetään lähettimen takaosaan.
  - a. Asennus ilman asennuslevyä: Kiinnitä lähettimen runko suoraan asennuspinnalle kahdella Ø 5,5 mm:n ruuvilla. Vasemmanpuoleisessa ruuvinreiässä on ylimääräinen pystysuora tila, jonka avulla lähettimen asentoa voidaan säätää sen jälkeen kun oikeanpuoleinen ruuvi on kiinnitetty.
  - b. Asennus asennuslevyllä: Kiinnitä asennuslevy asennuspinnalle neljällä Ø 5,5 mm:n ruuvilla ja kiinnitä lähetin asennuslevyn kahdella M6-kuusiokoloruuvilla.
2. Kiinnitä kaapeliläpiviennit (1 tai 2 kpl) johdotuksen läpivienteihin laitesovelluksen edellyttämällä tavalla. Ota huomioon kaapeliläpivientejä koskevat vaatimukset, jotka on lueteltu kohdassa [Erityiset käyttöehdot \(sivu 190\)](#).
  - Molemmissa läpivienneissä on M20 x 1,5 -kierteet.
  - Aseta käyttämättömiin läpivienteihin Ex-vaatimusten mukaiset tiivistetulpat.
  - Läpivientien ja tulppien on oltava vesi- ja pölytiivitä.

3. Valmistele kaapelin johtimet laitesovelluksen edellyttämällä tavalla (kaapelointi yhden tai kahden läpiviennin kautta).
  - a. Kuori kaapelin johdin: suosittelemme asennusholkkien asennusta johtimien kosketuspäihin.
  - b. Avaa kaapeliläpivienti ja työnnä sopiva kaapeli lähettimen sisään kaapeliläpiviennin läpi.
  - c. Kiristä kaapeliläpivienti: kiristä se enimmäistiukkuuteen, joka on ilmoitettu laitesovelluksessa käytettävien läpivientien asennusohjeessa.
  - d. Jos asennus ei vaadi molempien läpivientien käyttöä, aseta käyttämättömään läpivientiin Ex-vaatimusten mukainen tiivistetulppa.
4. Kytke ruuviliittimen johdotus laitesovelluksen edellyttämällä tavalla. Lisätietoja laiteasennuksen suojauksesta on kytkentäkaavioissa kohdissa [Johdotuksen tekeminen käyttäen galvaanisaa erottimia \(sivu 200\)](#) ja [Johdotuksen tekeminen käyttäen zener-ylijännitesuojia \(sivu 201\)](#).
  - a. Avaa ruuviliittimen alapuolella olevat kaapelikiinnikkeet ja reititä kaapelit liittimiin kiinnikkeiden kautta.
  - b. Kytke johtimet ruuviliittimiin.



Huomaa, että johtimet on aina kytkettävä kanavaan 1 (CH1). Lähettimeen syötetään virtaa CH1-ruuviliittimien kautta, joten lähetin ei käynnisty, jos pelkästään kanava 2 (CH2) on kytketty.

- c. Säädä johtimien pituus ja sulje kaapelin kiinnikkeet siten, että ne pitävät kaapelit paikallaan.

**Valinnainen:** Analogialähdön tason testaamista yleismittarilla koskevat ohjeet ovat kohdassa [vaihe 8](#).

5. Sulje lähettimen rungon kansi, kiristä kiinnitysruuvit ja kiinnitä sitten mittapään runko lähettimeen.



Kun mittapään runko kiristetään lukituspyörällä, sormitiukkuus on riittävä. Sen jälkeen lukituspyörä voidaan kiristää (5 mm:n) kuusiokoloavaimella. Tämä estää mittapään rungon irrottamisen ilman työkaluja.

6. Asenna mittapään kärki alueelle, jota on tarkoitus mitata.



HMT370EX-sarjan mittapää on suunniteltu erilaisiin laitesovelluksiin, joiden asennusvaatimukset poikkeavat toisistaan. Katso mittapääkohtaiset asennusohjeet oppaasta *HMT370EX User Guide*.

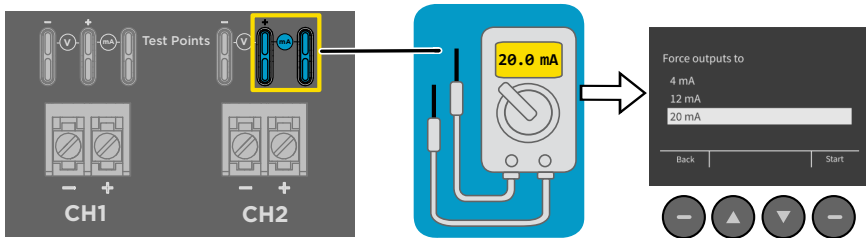
7. Kytke lähettimen pohjassa oleva maadoitusliitin asennuspaikan maadoituselementtiin maadoitusjohtimella, jonka poikkipinta-ala on 4 mm<sup>2</sup>. Kun olet maadoittanut lähettimen, kytke virransyöttö.

8. **Valinnainen:** Jos haluat tarkistaa analogialähtökanavien lähtötason, testaa liitäntä seuraavasti:
- Irrota mittapään runko ja avaa lähettimen suojus.
  - Kytke yleismittari mA-testipisteisiin, jotka ovat lähettimen piirilevyssä olevien lähdön ruuviliitinten yläpuolella (katso liittimien paikat tämän julkaisun kuvituksivulla **2** olevasta kuvasta).



Käytä aina Ex-hyväksyttyä yleismittaria. Yleismittarin lähtöparametrien on oltava yhteensopivia lähettimen tuloparametrien kanssa.

- Käynnistä lähtötestitila joko lähettimen näyttövalikosta tai yhdistämällä lähetin Insight PC -ohjelmistoon, mikäli lähettimessä ei ole näyttöä. Katso ohjeet lähtötestitilan käyttämisestä näytön käyttöliittymästä ja Insight PC -ohjelmiston kanssa käyttööppaasta *HMT370EX User Guide*.
- Kun olet tarkistanut lähdön, kytke irti yleismittari, sulje lähettimen kansi ja kiinnitä mittapään runko uudelleen.

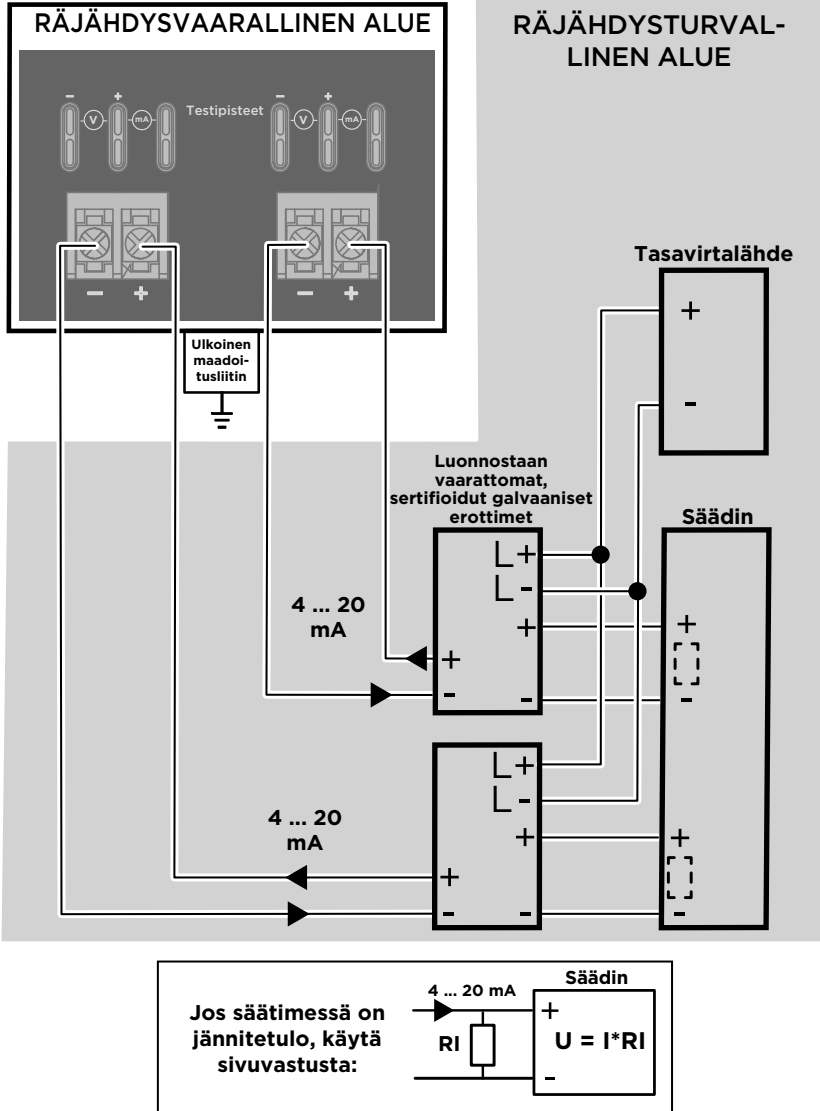


Kuva 64 Yleismittarin testipisteiden yleiskuvas



**VAROITUS** Huoltoporttia (katso [Kuva 62 \(sivu 192\)](#)) saa käyttää vain turvallisella alueella. Poista lähetin räjähdysvaaralliselta alueelta tai varmista, että alueella noudatetaan turvallista työmenettelyä. Käytä huoltoportissa vain Vaisalan PC-liitäntäkaapelia (lisävaruste).

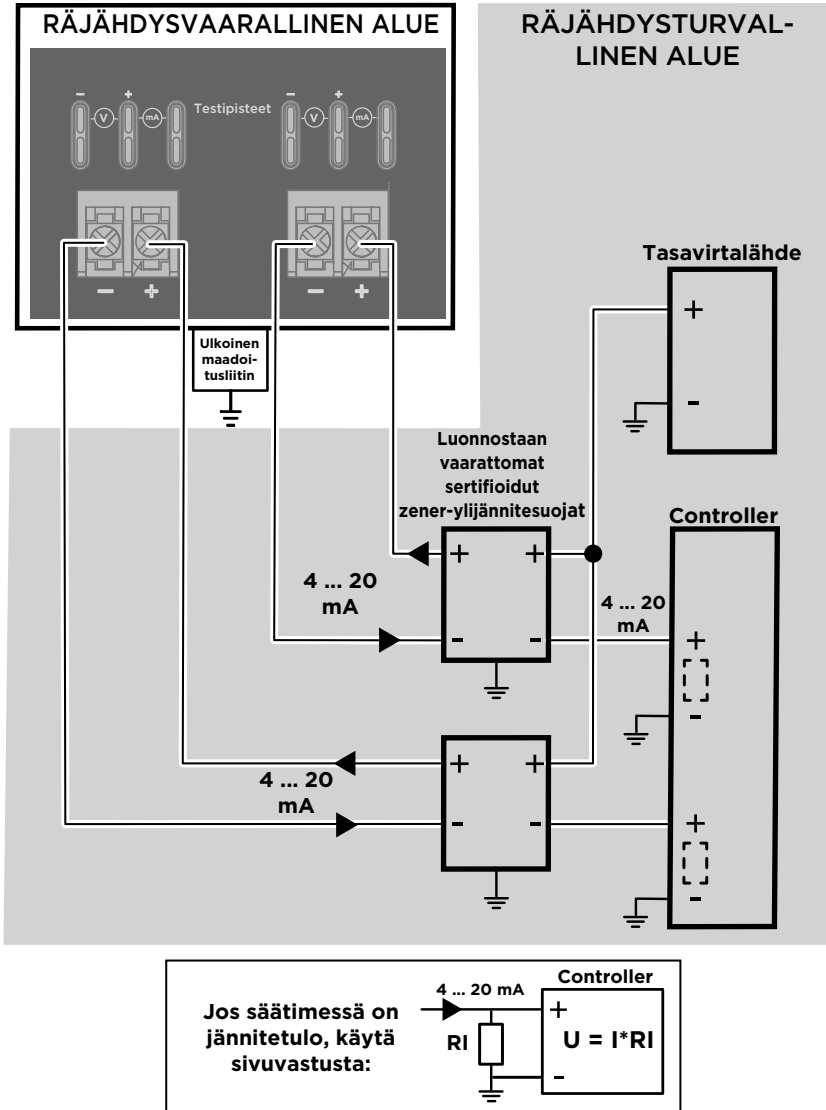
### 4.3 Johdotuksen tekeminen käyttäen galvaanisia erottimia



Kuva 65 Kytkentäkaavio, galvaaniset erottimet



## 4.4 Johdotuksen tekeminen käyttäen zener-ylijännitesuojia



Kuva 66 Kytentäkaavio, zener-ylijännitesuojat

## Huolto- ja kalibrointipalvelut



Vaisala tarjoaa kattavaa asiakastukea mittalaitteiden ja -järjestelmien koko elinkaaren ajan. Tarjoamme tuotantolaitoksille huoltopalveluja maailmanlaajuisesti, ja toimitusaikamme ovat erittäin nopeat. Lisätietoja on verkkosivulla [www.vaisala.com/calibration](http://www.vaisala.com/calibration).

- Vaisalan verkkokauppa [store.vaisala.com](http://store.vaisala.com) on käytettävissä useimmissa maissa. Voit selata tarjontaa tuotemallin mukaan ja tilata oikeat lisätarvikkeet, varaosat tai huolto- ja kalibrointipalvelut.
- Voit ottaa yhteyttä paikalliseen huolto- ja kalibrointiasiantuntijaan kohdassa [www.vaisala.com/contactus](http://www.vaisala.com/contactus).

## Takuu

Vakiotakuehtomme ovat osoitteessa [www.vaisala.com/warranty](http://www.vaisala.com/warranty).

Huomaa, että takuu ei kata vaurioita, jotka aiheutuvat normaalista kulumisesta, poikkeuksellisista käyttöolosuhteista, huolimattomasta käsittelystä tai asennuksesta tai luvattomista muutoksista. Tarkista kunkin tuotteen takuutiedot toimitussopimuksesta tai myyntiehdosta.

## Tekninen tuki



Ota yhteys Vaisalan tekniseen tukeen, osoite [helpdesk@vaisala.com](mailto:helpdesk@vaisala.com). Anna tarvittaessa ainakin seuraavat tiedot:

- tuotteen nimi, malli ja sarjanumero
- ohjelmisto-/laiteohjelmistoversio
- asennuspaikan nimi ja sijainti
- teknisen vastuuhenkilön nimi ja yhteystiedot, joka voi antaa lisätietoja ongelmasta.

Lisätietoja on osoitteessa [www.vaisala.com/support](http://www.vaisala.com/support).

## Kierrätys



Kierrätä kaikki kierrätyskelpoinen materiaali.



Hävität tuote ja pakkaus voimassa olevien määräysten mukaisesti.

# 1 HMT370EX-seeria tutvustus

Vaisala HUMICAP®-i HMT370EX-seeria niiskus- ja temperatuurisaatja on ideaalne lahendus niiskuse mõõtmiseks ohtlikes alades. Sisemiselt ohutu ja vastupidav HMT370EX töötab ohutult ja usaldusväärselt ka kõige ohtlikumates alades, näiteks tsoonis 0. HMT370EX-i saatjaid saab kasutada kauatöötava HMT360-seeria saatja asendajana kõigis HMT360 rakendustes.

HMT370EX-i võib paigaldada otse plahvatusohtlikesse aladesse. See talub pidevat olekut plahvatusohtlikes keskkondades, mis sisaldavad kergestisüttivaid gaase või tolmu, ega vaja gaasi- või tolmu keskkonnas töötamiseks täiendavaid kaitsekatteid.

HMT370EX pakub mitmeid sondi valikuid erinevate rakenduste jaoks. Tänu küljestvõetavale sondimoodulile saab sonde lihtsasti asendada ja eemaldada kalibreerimiseks väljaspool ohtlikku ala ilma kogu saatjat eemaldamata.

Saatjal on ohutustöket kaudu ühendamiseks 2 analoogvoolu väljundkanalit (4–20 mA). Konfigureerimiseks kas ühte seadmena või eraldi saab konfiguratsioonile, diagnostikale ning kalibreerimis- ja reguleerimisfunktsioonidele hõlpsasti juurdepääsemiseks sondi ja saatja kere ühendada Vaisala Insighti arvutitarkvaraga.

## 1.1 Põhifunktsioonid ja valikud

- Saadaolevad mõõteparameetrid: suhteline õhuniiskus (RH) ja temperatuur (T)
  - Arvutatud mõõteparameetrite hulgas on järgmised <sup>1)</sup>: kastepunkti temperatuur, märja termomeetri temperatuur, absoluutne õhuniiskus, seguvahekord, vee kontsentratsioon, vee massiosa, veeauru rõhk, entalpia ja õli/kütuse niiskus erimudelite korral.
- Ex-klassifikatsioon (plahvatuskindlus): IECEx ja ATEX on sertifitseeritud kasutamiseks tsooni 0 ja tsooni 20 keskkondades. Täielikku Ex-klassifikatsiooni vt: [Tabel 56 \(lehekülg 204\)](#).
- 2 analoogväljundit (4...20 mA, skaleeritavad, isoleeritud)
- Kuvamise valikud: graafiline LCD-ekraan või ekraanita mudel
- Toiteallika sisend: 12...28 V
- Ühildub Vaisala Insighti arvutitarkvaraga

## 1.2 Lisateave

Lisateavet saatja kasutamise, konfigureerimise ja hooldamise kohta pärast paigaldamist vt dokumendist *HMT370EX User Guide* (saadaval aadressil [www.vaisala.com/HMT370EX](http://www.vaisala.com/HMT370EX)).

1) Saadaval on täiendavad arvutatud parameetrid: vt tooteteavet aadressil [vaisala.com](http://vaisala.com)

## 2 HMT370EX-seeria saatjate kasutamine ohtlikes kohtades



**HOIATUS** Ohtlikus keskkonnas on kohustuslik kaitstud paigaldamine galvaaniliste isolaatorite või Zeneri tõkete abil.

Ohtlikus keskkonnas ühendage saatjad alati galvaaniliste isolaatorite või Zeneri tõkete kaudu. Galvaanilist isolaatorit või Zeneri tõket tuleb kasutada ka siis, kui saatja ja sondi korpus on ohutus alas, kuid mõõtepea on paigaldatud ohtlikku keskkonda. Juhtmete ühendamise kohta teabe saamiseks vt käesolevas dokumendis toodud elektriskeeme galvaanilise isolaatori ja Zeneri tõkkega.

HMT370EX-iga ei ole kaasas galvaanilist isolaatorit ega Zeneri tõket. Need saab Vaisalast tellida lisatarvikutena.



**HOIATUS** HMT370EX-seeria saatjad on toote klassifikatsiooni kohaselt mõeldud kasutamiseks ohtlikes kohtades. HMT370EX-i saatjaid paigaldav, kasutav või hooldav isik vastutab HMT370EX-i kasutusele sobiva kaitsemeetodi määramise eest ning selle eest, et seadme ohtliku ala klassifikatsioon vastaks kasutuse nõuetele.



**HOIATUS** Kui seadmeid kasutatakse viisil, mida Vaisala pole ette näinud, võib seadmete pakutav kaitse halveneda.

HMT370EX-seeria saatjad on sertifitseeritud kasutamiseks ohtlikes alades järgmiste klassifikatsioonide alusel:

Tabel 56 HMT370EX-seeria ohtlikus alas kasutamise klassifikatsioonid

Sertifikaat	HMT370EX-i klassifikatsioon
IECEX <sup>1)</sup> / ATEX <sup>2)</sup>	II 1 G Ex ia IIC T4 Ga II 1 D Ex ia IIIC T <sub>200</sub> 85 °C Da -40 °C ≤ T <sub>amb</sub> ≤ +60 °C

1) *Rahvusvaheline sertifikaat*

2) *EL-i sertifikaat*

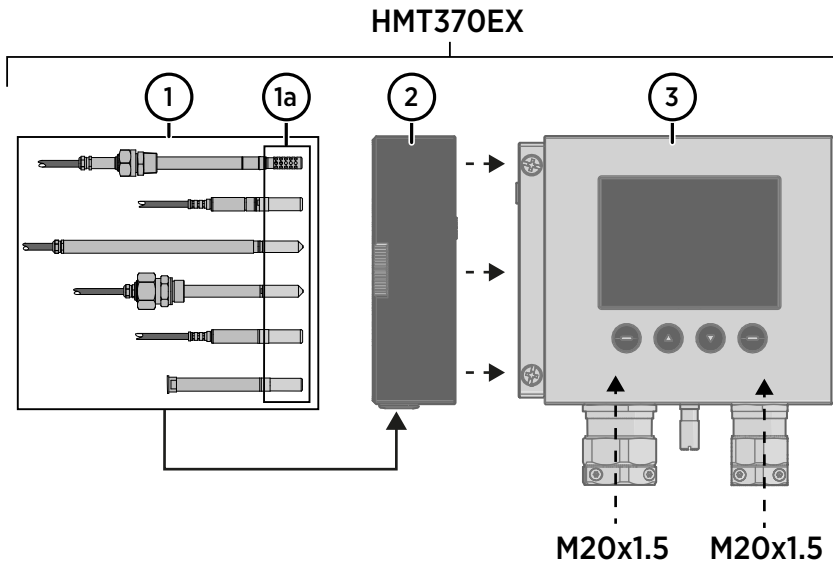


**ETTEVAATUST** HMT370EX-i saatjaid paigaldaval, kasutaval ja hooldaval isikul peab olema ohtlikus kohas töötamiseks nõuetekohane väljaõpe, nagu sätestatud kohaldatavates standardites.

Teavet standardite kohta, mida kohaldatakse HMT370EX-i kasutamisele seadme klassifikatsiooni põhjal, vt HMT370EX-i sertifitseerimise dokumentatsioonist ja HMT370EX-i vastavusdeklaratsioonidest aadressil [www.vaisala.com/declarationofconformity](http://www.vaisala.com/declarationofconformity).

## 2.1 Suunised ohutuks kasutamiseks ohtlikes tingimustes

### HMT370EX-seeria osade ülevaade



Joonis 67 HMT370EX-i osade ülevaade

HMT370EX-seeria saatjad koosnevad 3 põhiosast: saatja korpus, äravõetav sondi korpus ja mõõtepea, mis on kinnitatud sondi korpuse külge kas otse või kaabli abil. Vt põhiosasid [Joonis 67 \(lehekülg 205\)](#).

- 1 Mõõtepead (vt variantide kirjeldusi *HMT370EX User Guide*)
- 1a Mõõtepea filtrid
- 2 Sondi korpus
- 3 Saatja korpus

Erinevad mõõtepeade variandid on mõeldud erinevate rakenduste jaoks ja neil on oma spetsifikatsioonid. Veenduge, et saatja korpus, sondi korpus ja mõõtepea oleksid paigutatud keskkonda, mis vastab osa spetsifikatsioonile. Lubatud ümbritseva õhu temperatuurivahemikke vt [Tabel 57 \(lehekülg 206\)](#).

Tabel 57 Lubatud ümbritseva õhu temperatuurivahemikud

Seadme osa	Lubatud ümbritseva õhu temperatuurivahemik
Saatja korpus	-40...+60 °C
Sondi korpus	-40...+60 °C
Mõõtepea HMP371	Temperatuuriklass T4: -40...+60 °C
Mõõtepea HMP373	<b>Kummikaabli versioon:</b> Temperatuuriklass T6: -40...+55 °C Temperatuuriklass T5: -40...+80 °C <b>FEP-kaabli versioon:</b> Temperatuuriklass T6: -40...+55 °C Temperatuuriklass T5: -40...+100 °C Temperatuuriklass T4: -40...+120 °C
Mõõtepead HMP374, HMP375, HMP377, HMP378, HMP378F ja HMP378H	Temperatuuriklass T6: -70...+55 °C Temperatuuriklass T5: -70...+100 °C Temperatuuriklass T4: -70...+135 °C Temperatuuriklass T3: -70...+180 °C

## 2.1.1 Kasutamise eritingimused



**ETTEVAATUST** Seadme paigaldamisel 0-tsooni II grupi alale tuleb tagada, et ei oleks võimalust sädemete tekkeks lõökide või hõõrdumise tõttu.

**Juhtmete ühendamise nõuded**

- Seadme juhtmete ühendamiseks kasutatavad läbiviigutihendid ja kaablid ei tohi plahvatuskindlust vähendada.
  - Kasutamata läbiviigud peavad olema suletud plahvatuskindlate korkidega.
- Valige kasutusele vastav pingeleevendi (kasutage kas pingeleevendiga läbiviigutihendeid või paigaldage eraldi klambrid: vt IEC 60079-14).



**ETTEVAATUST** Ühendage ainult pingestamata juhtmed. Ärge lülitage toitesisendit sisse enne, kui juhtmed on ühendatud ja saatja korpus suletud.

**Sädemeohutus**

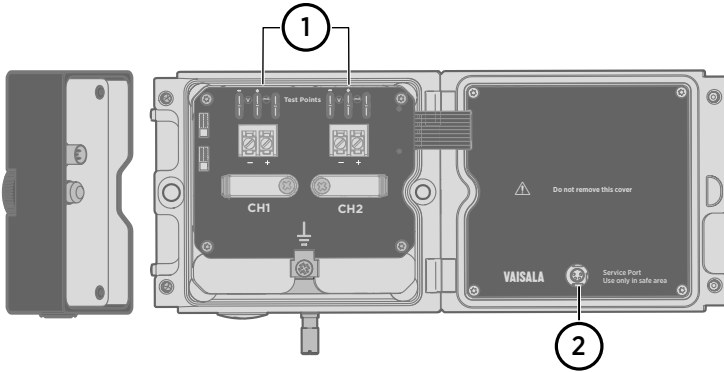
HMT370EX-i saatjate ülepinge kategooria on **I** (mittevõrgutoitel seadmed) ja keskkonnareostuse aste on 4, nagu on sätestatud standardis IEC 60664-1. Sisemiselt ohutu sisendi parameetreid vt [Tabel 58 \(lehekülj 207\)](#).

**Tabel 58** Sisemiselt ohutu sisendi parameetrid

Parameeter	Väärtus	Seotud seadmete üksuse parameetrid
$U_i$	28 V ALALISVOOL	$U_o \leq U_i$
$I_i$	100 mA	$I_o \leq I_i$
$P_i$	700 mW	$P_o \leq P_i$
$C_i$	12,1 nF	$C_o \geq C_i + C_{\text{kaabel}}$
$L_i$	16 $\mu$ H	$L_o \geq L_i + L_{\text{kaabel}}$

**Analoogväljundi testpunktide kasutamine**

Analoogväljundite pingete ja voolutugevuste mõõtmiseks on testpunktid, mis asuvad iga kruviklemmi ploki kohal, nagu näidatud joonisel [Joonis 68 \(lehekülj 208\)](#). Komponentipaneelil olevate testpunktide juurde pääsemiseks tuleb avada saatja ümbris.



Joonis 68 Testpunktide ja hoolduspordi asukoht

- 1 Multimeetri testpunktid analoogväljundkanalite 1 ja 2 jaoks
- 2 Hooldusport arvuti ühendamiseks



**ETTEVAATUST** Saatja korpuse ümbrist ei tohi avada plahvatusohtlikus alas, välja arvatud juhul, kui on väljastatud ohutu töötamise luba kooskõlas standardiga IEC 60079-14. Enne ümbrise avamist eemaldage saatja ohtlikust alast või veenduge, et ohtlikus alas järgitakse standardi IEC 60079-14 nõuetele vastavat ohutu töötamise protseduuri.

Kasutage sisemiselt ohutut multimeetrit, mis ei põhjusta sisemiselt ohutu sisendi parameetrite (vt Tabel 58 (lehekülj 207)) ületamist, kui multimeeter on seotud seadmetega ühendatud jadaühenduse (voolutugevuse mõõtmine) või rööpühenduse (pinge mõõtmine) teel.

#### Teenusepordi kasutamine

Hooldusporti (vt Joonis 68 (lehekülj 208)) tohib kasutada ainult ohutus alas. Eemaldage saatja ohtlikust alast või veenduge, et ohtlikus alas järgitakse ohutu töötamise protseduuri. Kasutage hoolduspordiga ainult Vaisala lisatarviku arvutiga ühendamise kaablit.

#### Hooldus

Sondi (sisaldab sondi korpust ja mõõtepead) saab kasutaja ise küljest ära võtta ja asendada. Mõõtepea filter (vt Joonis 67 (lehekülj 205)) on samuti kasutaja poolt asendatav. Muude hooldusnõuete osas pöörduge Vaisala poole.



**ETTEVAATUST** Sondi saab küljest ära võtta ja vahetada, kui HMT370EX on pinge all. Muud hooldustööd, sh mõõtepea filtri vahetamine, pole pinge alla oleva seadme juures lubatud.

Selles peatükis toodud sisu on olemas ka järgmises eraldiseisvas dokumendis:



Dokumendi ID: M212506EN

Läbivaatamine: D (11. oktoober 2021)

## 3 HMT370EX-i osad

### Välised osad



Osad A–J viitavad dokumendi alguses olevatele välise osade joonistele lk 1. Osad 1–7 viitavad dokumendi alguses olevatele sisemiste osade joonistele lk 2.

Tabel 59 Välised osad

Osa	Kirjeldus
A	Möötepea (HMP370EX-i möötepeade variante vt <i>HMT370EX User Guide</i> )
B	Äravõetav sondi korpus
C	Saatja kere (vt tabel <i>Sisemised osad</i> )
D	LCD-ekraan (lisavarustusse kuulval ekraaniga mudelil)
E	Ekraani kasutajaliidese nupud (ainult ekraaniga mudelil)
F	Seinapadjad (4 tk)
G	Kinnitusplaat (lisavarustus)
H	Sondi korpuse lukustusratas
I	Maandusklemm
J	Kaablite läbiviigud (läbiviigutihendite ja paigaldustortude valikuid vt <i>HMT370EX User Guide</i> )

### Sisemised osad

Tabel 60 Sisemised osad

Osa	Kirjeldus
1	Kruvide kinnitusaugud
2	Kaabli kinnitusklambrid
3	Saatja maandusklemm
4	Saatja hooldusport (M8, vajab Vaisala USB-ühenduskaablit)
5	Sondi korpuse hooldusport (M12, vajab Vaisala USB-ühenduskaablit)
6	Analoogväljundkanali 1 ja 2 multimeetri testpunktid voolutugevuse ja pinge jaoks
7	Kruviklemmid analoogväljundkanalite 1 ja 2 juhtmete ühendamiseks

## 4 Paigaldamine ja juhtmete ühendamine



**HOIATUS** Paigaldamine peab toimuma ohutus alas või kui see toimub ohtlikus alas, peab olema tagatud standardi IEC 60079-14 nõuetele vastavat ohutu töötamise protseduuri järgimine.



**HOIATUS** Kui HMT370EX on pinge all, ei tohi saatja ümbrist ohtlikus alas avada. Sondi saab küljest ära võtta ja vahetada, kui HMT370EX on pinge all. Muud hooldustööd, sh mõõtepea filtri vahetamine, pole pinge alla oleva seadme juures lubatud.

### 4.1 Paigalduse ettevalmistused

Enne paigalduse alustamist kontrollige järgmist.

- Veenduge, et paigalduskoht vastaks saatja Ex-klassifikatsioonile: vt [Tabel 56 \(lehekülg 204\)](#).
- Vaadake üle ohtliku ala teave dokumendist [Suunised ohutuks kasutamiseks ohtlikes tingimustes \(lehekülg 205\)](#), et saada lisateavet HMT370EX-iga seotud plahvatuskindluse ohutusnõuete ja kasutuse eritingimuste kohta.
- Galvaanilise isolaatori või Zeneri tõkke abil juhtmete ühendamise kohta vt käesolevas dokumendis olevaid elektriskeeme.
  - [Juhtmete ühendamine galvaaniliste isolaatoritega \(lehekülg 216\)](#)
  - [Juhtmete ühendamine Zeneri tõketega \(lehekülg 217\)](#)
- Rakenduse jaoks kaablite läbiviigutihendite ja korkide valimisel veenduge, et need oleksid plahvatuskindlad. Läbiviigutihendid ja korgid peavad olema vee- ja tolmukindlad.

#### Juhtmete ühendamise teave



**HOIATUS** Ohtlikus keskkonnas on kohustuslik kaitstud paigaldamine galvaaniliste isolaatorite või Zeneri tõkete abil.



**ETTEVAATUST** Rakenduse jaoks juhtmete ühendamise kavandamisel pidage meeles, et kanal 1 (CH1) peab alati olema juhtmega ühendatud. Saatja saab toidet kanali 1 kruviklemmide kaudu ning ei lülitu sisse, kui juhtmega on ühendatud ainult kanal 2 (CH2).



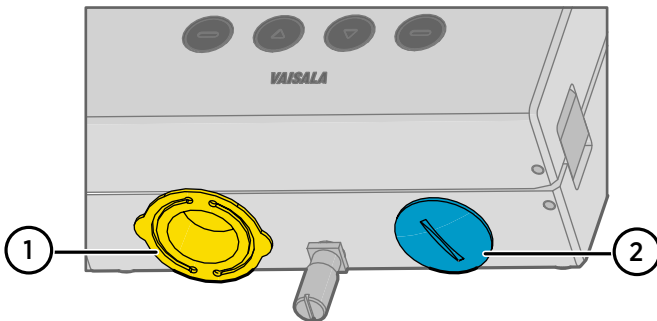
**ETTEVAATUST** Veenduge, et saatja oleks korralikult toitega ühendatud. Alalisvoolu pinge 12 V mõõdetuna saatja kruviklemmidel on minimaalne pinge kõikides tingimustes. Kui toitepinge on väiksem kui alalisvoolu 12 V, võib analogväljundi voolutugevus olla vale.



Kooritud juhtmetel on soovitatav kasutada hülse, mis aitavad tagada turvalise ühenduse kruviklemmidega.

### Läbiviikude valik ja standardkorgid

HMT370EX-iga on kaasas kaks erinevat korgitüüpi saatja läbiviikudel, nagu on näidatud [Joonis 69](#) (lehekülg 212).



Joonis 69 Standardkorgid HMT370EX-i läbiviikudel

- 1 Eemaldatav plastist transpordikate: tuleb asendada (painutage transpordikatte küljed üles kokku ja tõmmake kate välja)
- 2 Metallist tihenduskork: saab kasutada lõpp-paigalduses

Plastist transpordikate (1) tuleb HMT370EX.-i juhtmete ühendamisel alati asendada plahvatuskindla kaabli läbiviigutihendi, paigaldustoru või tihendiga. Metallist tihenduskorgi (2) võib jätta alles ja kasutada lõpp-paigalduses, kui parempoolset läbiviiku ei kasutata. Kaabli läbiviigutihendi ja kaablitoru valikute kohta vt *HMT370EX User Guide*.

## 4.2 HMT370EX-i paigaldamine



- Kruvid saatja paigaldamiseks:
  - Paigaldamine otse läbi saatja korpuse: 2 kruvi Ø 5,5 mm
  - Paigaldamine lisavarustusse kuuluva kinnitusplaadiga: 4 kruvi Ø 5,5 mm ja 2 kuuskantkruvi M6
- Ristpeakruvikeeraja saatja kaane küljesüüivate kruvide ja juhtmete kruviklemmide jaoks
- Lamepeakruvikeeraja maandusklemmi jaoks
- Kaabli läbiviigutihendid, kaabli torud ja -korgid, nagu teie kasutuse jaoks nõutud, ning sobivad tööriistad nende kinnitamiseks ja pingutamiseks
- Juhtmetangid

### Valikuline:

- Kaabli presstangid ja hülsid
- Kuuskantvõti (5 mm) sondi korpuse lukustusratta jaoks
- Plahvatuskindel multimeeter analoogväljundite testimiseks



Sammud 1-7 viitavad dokumendi alguses lk **3** ja **4** olevatele joonistele 1-7.

- ▶ 1. Valige saatja paigaldamiseks pind (näiteks sein). Saate paigaldada saatja kahe kruviga otse paigalduspinnale või kasutada lisavarustusse kuuluvat saatja tagaküljele pandavat kinnitusplaati.
  - a. Paigaldus ilma kinnitusplaadita: kinnitage saatja korpus otse kahe Ø 5,5 mm kruviga paigalduspinnale. Vasakpoolsel kruviaugul on vertikaalne lisaruum saatja asendi reguleerimiseks pärast parempoolse kruvi kinnitamist.
  - b. Paigaldus koos kinnitusplaadiga: kinnitage kinnitusplaat nelja Ø 5,5 mm kruviga paigalduspinnale ja seejärel kinnitage saatja kahe M6 kuuskantkruviga kinnitusplaadile.
2. Kinnitage kaabli läbiviigutihendid (1 või 2) juhtmete läbiviikude külge, nagu teie kasutuse jaoks nõutud. Arvestage kaabli läbiviigutihendite nõuetega, mis on loetletud teemas [Kasutamise eritingimused \(lehekülg 206\)](#).
  - Mõlemal läbiviigul on M20x1,5 keermed.
  - Katke võimalikud kasutamata läbiviigud plahvatuskindlate tihenditega.
  - Läbiviigutihendid ja korgid peavad olema vee- ja tolmukindlad.

3. Valmistage ette ühendusjuhtmed, nagu teie kasutuse jaoks nõutud (juhtmete ühendamine kas 1 või 2 läbiviigu kaudu).
  - a. Koorige kaablijuhtmed: juhtmete kontaktotstesse on soovitatav kinnitada hülsid.
  - b. Avage kaabli läbiviigutihend ja sisestage kaabli läbiviigutihendi kaudu saatjasse sobiva pikkusega kaabel.
  - c. Pingutage kaabli läbiviigutihendit: teie kasutuse korral kasutatavat maksimaalset tihedust vt kaabli läbiviigutihendi juhistest.
  - d. Kui teie paigaldus ei nõua mõlema läbiviigu kasutamist, katke kasutamata läbiviik plahvatuskindla tihendiga.
4. Ühendage kruviklemmi juhtmestik, nagu teie kasutuse jaoks nõutud. Kaitstud paigalduse elektriskeemide kohta vt teemasid [Juhtmete ühendamine galvaaniliste isolatoritega \(lehekülg 216\)](#) ja [Juhtmete ühendamine Zeneri tõketega \(lehekülg 217\)](#).
  - a. Avage kaabli kinnitusklambrid kruviklemmide all ja viige kaablid läbi klambrite klemmide juurde.
  - b. Ühendage juhtmed kruviklemmidega.



Pange tähele, et kanal 1 (CH1) peab alati olema juhtmega ühendatud. Saatja saab toidet CH1 kruviklemmide kaudu ning ei lülitu sisse, kui juhtmega on ühendatud ainult kanal 2 (CH2).

- c. Reguleerige juhtmete pikkust ja sulgege kaabli kinnitusklambrid nii, et need hoiaksid kaableid paigal.

**Valikuline:** Juhiseid analoogväljundi taseme testimiseks multimeetriga vt [samm 8](#).

5. Sulgege saatja korpuse kaas ja keerake kinni küljespüsivad kruvid ning kinnitage seejärel sondi korpus saatja külge.



Piisab, kui sondi korpus keeratakse lukustusratta abil kinni nii tugevalt, kui sõrmega võimalik. Et sondi korpus küljest ära ei tuleks, võite lukustusrattast pingutada veel kuuskantvõtmega (5 mm).

6. Paigaldage mõõtepea alasse, milles soovite mõõtmisi teha.



HMT370EX-seeria sondid on mõeldud erinevatele rakendustele, millel on erinevad paigaldusnõuded. Sondipõhiseid paigaldusjuhiseid vt *HMT370EX User Guide*.

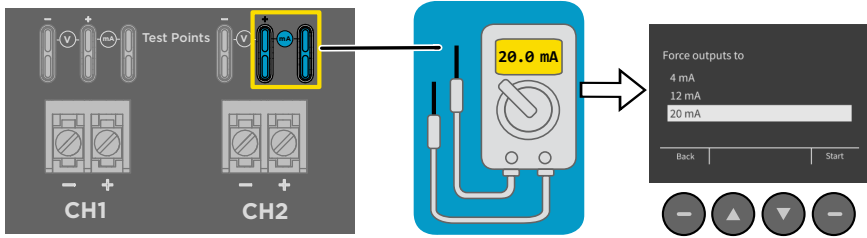
7. Ühendage saatja põhjal asuv maandusklemm paigalduskoha maanduselemendiga 4 mm<sup>2</sup> maandusjuhtme abil. Pärast saatja maandamist lülitage sisse toitesisend.

8. **Valikuline:** Kui soovite kontrollida analoogväljundkanalite väljundtaset, testige ühendust järgmiselt:
- Võtke sondi korpus küljest ära ja avage saatja kate.
  - Ühendage multimeeter mA testipunktidega, mis asuvad saatja komponendipaneeli väljundi kruviklemmide kohal (vt klemmide asukohta dokumendi alguses lk 2 asuvalt jooniselt).



Kasutage alati plahvatuskindlat multimeetrit. Multimeetri väljundparameetrid peavad ühilduma saatja sisendparameetritega.

- Alustage väljundi testrežiimi kas saatja ekraaniliidese abil või kui kasutate ilma ekraanita saatjat, siis ühendage saatja Insighti arvutitarkvaraga. Juhiseid väljundi testrežiimi kasutamise kohta ekraaniliidese ja Insighti arvutitarkvaraga vt *HMT370EX User Guide*.
- Pärast väljundi kontrollimist eemaldage multimeeter, sulgege saatja kaas ja pange sondi korpus külge tagasi.

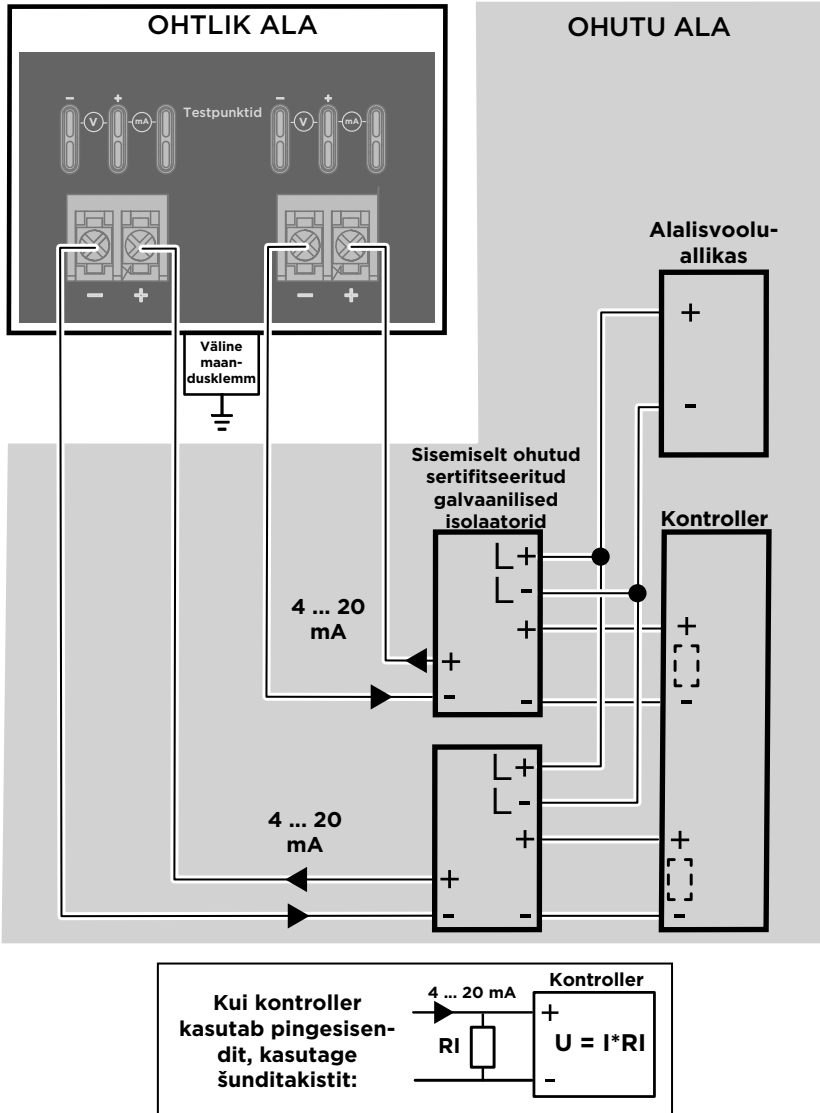


Joonis 70 Multimeetri testpunkti ülevaade



**ETTEVAATUST** Hooldusporti (vt [Joonis 68 \(lehekülj 208\)](#)) tohib kasutada ainult ohutus alas. Eemaldage saatja ohtlikust alast või veenduge, et ohtlikus alas järgitakse ohutu töötamise protseduuri. Kasutage hoolduspordiga ainult Vaisala lisatarviku arvutiga ühendamise kaablit.

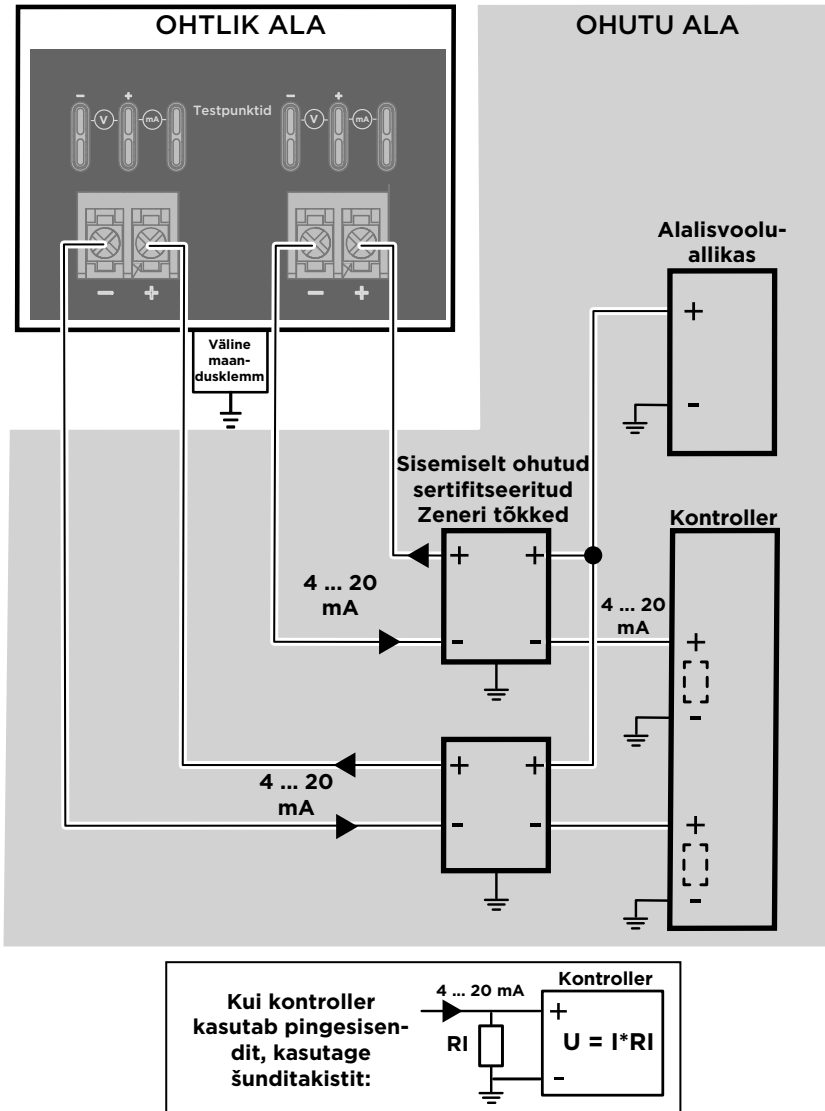
### 4.3 Juhtmete ühendamine galvaaniliste isolaatoritega



Joonis 71 Elektriskeem galvaaniliste isolaatoritega



## 4.4 Juhtmete ühendamine Zeneri tõketega



Joonis 72 Elektriskeem Zeneri tõketega

## Hooldus- ja kalibreerimisteenused



Vaisala pakub terviklikku klienditeenindust oma mõõtevahenditele ja -süsteemidele kogu elutsükli vältel. Meie tehaseteenuseid pakutakse kogu maailmas kiirete tarnetega. Lisateavet vt [www.vaisala.com/calibration](http://www.vaisala.com/calibration).

- Vaisala veebipood aadressil [store.vaisala.com](http://store.vaisala.com) on saadaval enamikus riikides. Pakkumisi saate sirvida toote mudeli järgi ja tellida sobivaid tarvikuid, varuosi või hooldus- ja kalibreerimisteenuseid.
- Kohaliku hooldus- ja kalibreerimiseksperdiga ühenduse võtmiseks vt [www.vaisala.com/contactus](http://www.vaisala.com/contactus).

## Garantii

Standardseid garantiitingimusi vt aadressil [www.vaisala.com/warranty](http://www.vaisala.com/warranty).

Pange tähele, et tavapärase kulumise, erakordsete kasutustingimuste, hooletu käsitsemise või paigalduse või volitamata muudatuste tegemise korral ei pruugi ükski garantii kehtida. Lisateavet iga toote garantii kohta leiate kohalduvast tarnelepingust või müügingimustest.

## Tehniline tugi



Võtke ühendust Vaisala tehnilise toega aadressil [helpdesk@vaisala.com](mailto:helpdesk@vaisala.com). Esitage vähemalt järgmine teave (kui on kohaldatav).

- Toote nimi, mudel ja seerianumber
- Tarkvara/püsivara versioon
- Paigalduskoha nimi ja asukoht
- Tehniku nimi ja kontaktandmed, kes oskab probleemi kohta täpsemat teavet anda

Lisateavet vt [www.vaisala.com/support](http://www.vaisala.com/support).

## Ringlussevõtt



Võtke kõik sobivad materjalid ringlusse.



Järgige toote ja pakendi kasutuselt kõrvaldamise kehtivaid eeskirju.

# 1 Introduktion till HMT370EX-serien

Vaisala HUMICAP® fukt- och temperaturtransmitterserien HMT370EX är den perfekta lösningen för att mäta fukt i farliga områden. Den robusta HMT370EX med inbyggd säkerhet fungerar säkert och tillförlitligt även i de farligaste områdena såsom zon 0. HMT370EX-transmittorer kan användas som en ersättning för den gamla HMT360-transmitterserien i alla HMT360-applikationer.

HMT370EX kan installeras direkt i explosiva områden. Den tål kontinuerlig exponering för potentiellt explosiva miljöer med brandfarliga gaser eller damm och kräver inga ytterligare skyddshöljen för användning i varken gasmiljöer eller dammiga miljöer.

HMT370EX finns med flera probtillval för olika applikationer. Tack vare den löstagbara probmodulen kan prober enkelt bytas ut och tas bort för kalibrering utanför det farliga området utan att hela transmittorn behöver tas loss.

Transmittorn har två analoga ut signaler (4–20 mA) för anslutning via säkerhetsbarriärer. För att enkelt få tillgång till konfigurerings-, felsöknings-, kalibrerings- och justeringsfunktioner kan proben och transmittorkroppen anslutas till Vaisala Insight PC-programvaran för konfiguration, antingen tillsammans som en enhet eller separat.

## 1.1 Grundfunktioner och tillval

- Tillgängliga mätparametrar: Relativ luftfuktighet (RH) och temperatur (T)
  - Beräknade mätparametrar inkluderar <sup>1)</sup>: daggpunktstemperatur, vättermometer temperatur, absolut fuktighet, blandningsförhållande, vattenkoncentration, vattenmassafraktion, vattenångtryck, entalpi och olja/bränslefuktighet med specialmodeller
- Ex-klassificering IECEx- och ATEX-certifierad för användning i miljöer i zon 0 och zon 20: Se **Tabell 61 (sida 220)** för fullständiga Ex-klassificeringar.
- 2 analoga utgångar (4–20 mA, skalbara, isolerade)
- Displayalternativ: grafisk LCD-display eller modell utan display
- Strömförsörjningens ingång: 12–28 V
- Kompatibel med Vaisala Insight PC-programvaran

## 1.2 Mer information

Mer information om användning, konfiguration och underhåll av transmittorn efter installationen finns i *HMT370EX User Guide* (tillgänglig på [www.vaisala.com/HMT370EX](http://www.vaisala.com/HMT370EX)).

1) Ytterligare beräknade parametrar som är tillgängliga: se produktinformation på [vaisala.com](http://vaisala.com)

## 2 Använda transmitttrar i HMT370EX-serien i farliga områden



**VARNING** Skyddad installation med hjälp av galvaniska isolatorer eller Zener-barriärer är obligatorisk i en farlig miljö.

I farliga miljöer ska transmitttrarna alltid anslutas via galvaniska frånskiljare eller Zener-barriärer. En galvanisk frånskiljare eller Zener-barriär ska även användas när transmitttern och probkroppen befinner sig i ett säkert område, men probhuvudet är installerat i en farlig miljö. För information om kablar, se kopplingscheman för galvanisk frånskiljare och Zener-barriär som ingår i detta dokument.

HMT370EX har ingen galvanisk frånskiljare eller Zener-barriär. De kan beställas som tillvalstillbehör från Vaisala.



**VARNING** Transmitttrarna i HMT370EX-serien är konstruerade för att användas i farliga miljöer enligt specifikationerna i produktklassificeringen. Personal som installerar, använder och underhåller HMT370EX-transmitttrar ansvarar för att fastställa ett lämpligt skydds-koncept för den specifika applikationen som HMT370EX ska användas i och för att se till att enhetens riskområdesklassificering uppfyller kraven på applikationen.



**VARNING** Om utrustningen används på ett sätt som inte har specificerats av Vaisala kan det skydd som utrustningen ger försämrats.

Transmitttrar i HMT370EX-serien är certifierade för användning i farliga områden enligt definitionerna i följande klassificeringar:

Tabell 61 HMT370EX-seriens riskområdesklassificeringar

Certifiering	HMT370EX-klassificering
IECEX <sup>1)</sup> /ATEX <sup>2)</sup>	II 1 G Ex ia IIC T4 Ga II 1 D Ex ia IIIC T <sub>200</sub> 85 °C Da -40 °C ≤ T <sub>amb</sub> ≤ +60 °C

1) *Internationell certifiering*

2) *EU-certifiering*

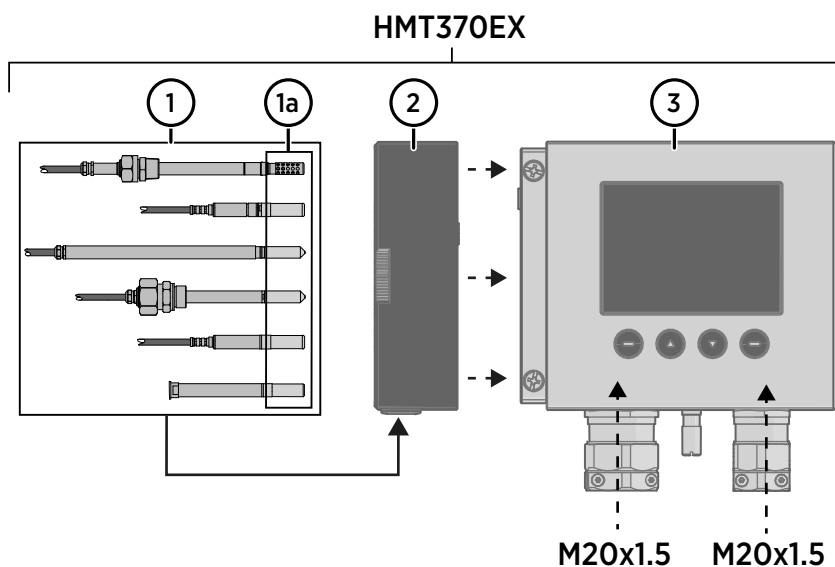


**FÖRSIKTIGT** Personal som installerar, använder och underhåller HMT370EX-transmittar ska ha den kompetens som krävs för att arbeta i farliga miljöer och som specificeras i tillämpliga standarder.

Information om standarderna som tillämpas vid användning av HMT370EX på basis av apparatens klassificering finns i HMT370EX-certifieringsdokumentering samt i försäkran om överensstämmelse relaterad till HMT370EX på [www.vaisala.com/declarationofconformity](http://www.vaisala.com/declarationofconformity).

## 2.1 Riktlinjer för säker användning i farliga miljöer

### Översikt över delar i HMT370EX-serien



Figur 73 Översikt över HMT370EX-delar

Transmittar i HMT370EX-serien består av 3 huvuddelar: Transmitterkroppen, en avtagbar probkropp och ett probhuvud fäst på probkroppen, antingen direkt eller med hjälp av en kabel. [Figur 73 \(sida 221\)](#) visar huvuddelarna.

- 1 Probhuvuden (för beskrivningar av typer, se *HMT370EX User Guide*)
- 1a Probhuvudfilter
- 2 Probkropp
- 3 Transmitterkropp

De olika probhuvudtyperna är konstruerade för en rad olika applikationer och har sina egna specifikationer. Se till att transmitterkroppen, probkroppen och probhuvudet placeras i en miljö som matchar specifikationen för delen. För tillåtna omgivningstemperaturintervall, se [Tabell 62 \(sida 222\)](#).

Tabell 62 Tillåtna omgivningstemperaturintervall

Utrustningsdel	Tillåtet omgivningstemperaturintervall
Transmitterkropp	-40 till +60 °C
Probkropp	-40 till +60 °C
Probhuvud HMP371	Temperaturklass T4: -40 till +60 °C
Probhuvud HMP373	<b>Gummikabelversion:</b> Temperaturklass T6: -40 till +55 °C Temperaturklass T5: -40 till +80 °C <b>FEP-kabelversion:</b> Temperaturklass T6: -40 till +55 °C Temperaturklass T5: -40 till +100 °C Temperaturklass T4: -40 till +120 °C
Probhuvuden HMP374, HMP375, HMP377, HMP378, HMP378F och HMP378H	Temperaturklass T6: -70 till +55 °C Temperaturklass T5: -70 till +100 °C Temperaturklass T4: -70 till +135 °C Temperaturklass T3: -70 till +180 °C

## 2.1.1 Specifika användningsvillkor



**FÖRSIKTIGT** Om utrustningen installeras i ett Zon 0 Grupp II-område måste man garantera att gnistbildningar till följd av stötar eller friktion inte uppstår.

**Kabelkrav**

- De kabelförskruvningar och kablar som används när apparatens ledningar dras får inte försämrade Ex-skyddet.
  - Oanvända genomföringar måste förseglas med Ex-kompatibla pluggar.
- Välj ett avlastningsalternativ som är lämpligt för applikationen (använd antingen kabelförskruvningar med avlastning eller installera separata klämmor: se IEC 60079-14).



**FÖRSIKTIGT** Anslut endast strömlösa trådar. Slå aldrig på strömmen innan kablarna är anslutna och transmitterkroppen är stängd.

**Egensäkerhet**

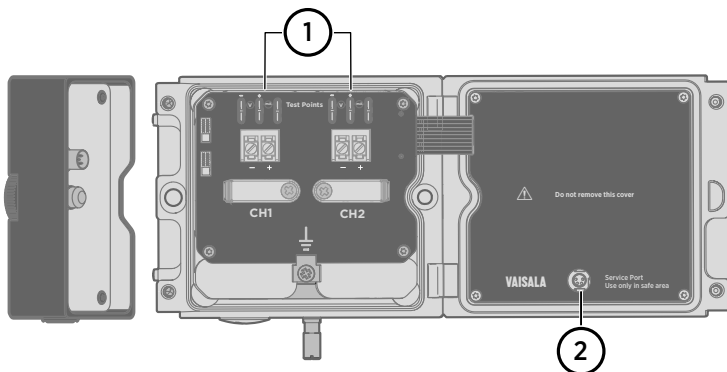
Överspänningskategorin för HMT370EX-transmitttrar är **I** och luftföroreningsgraden är 4, enligt IEC 60664-1. Se [Tabell 63 \(sida 223\)](#) för egensäkra ingångsparametrar,

Tabell 63 Egensäkra ingångsparametrar

Parameter	Värde	Tillhörande enhetsparametrar för apparaten
$U_i$	28 VDC	$U_o \leq U_i$
$I_i$	100 mA	$I_o \leq I_i$
$P_i$	700 mW	$P_o \leq P_i$
$C_i$	12,1 nF	$C_o \geq C_i + C_{\text{-kabel}}$
$L_i$	16 $\mu$ H	$L_o \geq L_i + L_{\text{-kabel}}$

**Använda testpunkter för analog utgång**

Det finns testpunkter för mätning av de analoga utgångarnas spänningar och strömmar. Testpunkterna finns ovanför varje skruvkontakt som visas i [Figur 74 \(sida 224\)](#). För att komma åt testpunkterna på komponentkortet krävs att transmitters hölje öppnas.



Figur 74 Testpunkternas och serviceportens placering

- 1 Multimeter-testpunkter för de analoga utgångskanalerna 1 och 2
- 2 Serviceport för PC-anslutning



**FÖRSIKTIGT** Transmitterkroppens hölje får inte öppnas i ett explosionsfarligt område, såvida inte ett tillstånd för säkert arbete har utfärdats i enlighet med standarden IEC 60079-14. Ta antingen bort transmittern från det farliga området innan du öppnar höljet, eller se till att en IEC 60079-14-kompatibel säker arbetsprocedur har implementerats för det farliga området.

Använd en egensäker multimeter som inte leder till att de egensäkra ingångsparametrarna som anges i [Tabell 63 \(sida 223\)](#) överskrids när multimetern seriekopplas (strömmätning) eller parallellkopplas (spänningsmätning) med tillhörande apparat.

#### Använda serviceporten

Serviceporten (se [Figur 74 \(sida 224\)](#)) får endast användas i ett säkert område. Ta antingen bort transmittern från det farliga området eller se till att en säker arbetsprocedur har implementerats för det farliga området. Använd endast Vaisalas PC-anslutningskabel i serviceporten.

#### Underhåll

Proben (inkluderar probkropp och probhuvud) kan lossas och bytas ut av användaren. Probhuvudets filter (se [Figur 73 \(sida 221\)](#)) kan också bytas ut av användaren. Kontakta Vaisala för övriga underhållsbehov.



**FÖRSIKTIGT** Proben kan lossas och bytas ut medan HMT370EX har spänning. Allt annat underhåll på installationer med spänning, inklusive byte av probhuvudfilter, är otillåtet.



Innehållet i detta kapitel upprätthålls i följande dokument som spåras separat:	
Dokument ID: M212506SV	Version: D (11 oktober 2021)

## 3 HMT370EX-delar

### Externa delar



Punkterna A till J är kopplade till bilderna på externa delar på sidan **1** i början av dokumentet. Punkterna 1 till 7 är kopplade till bilderna på interna delar på sidan **2** i början av dokumentet.

Tabell 64 Externa delar

Artikel	Beskrivning
A	Probhuvud (för alternativ för HMP370EX-probtyper, se <i>HMT370EX User Guide</i> )
B	Löstagbar probkropp
C	Transmitterkropp (se <i>Interna delar</i> -tabell)
D	LCD-display (i tillvalsdisplaymodell)
E	Användargränssnittsknappar på displayen (endast displaymodell)
F	Väggdynor (4 st.)
G	Monteringsplatta (tillval)
H	Låshjul för probkropp
I	Jordningskontakt
J	Kabelgenomföringar (för kabelförskruvningar och kabelhöljesalternativ, se <i>HMT370EX User Guide</i> )

### Interna delar

Tabell 65 Interna delar

Artikel	Beskrivning
1	Hål för monteringssskruvar
2	Kabelklämmor
3	Jordningskontakt för transmitter
4	Serviceport för transmitter (M8, kräver Vaisalas USB-anslutningskabel)
5	Serviceport för probkropp (M12, kräver Vaisalas USB-anslutningskabel)
6	Analoga utgångskanaler 1 och 2, multimeter-testpunkter för ström och spänning
7	Skruvkontakter för anslutning av analoga utgångskanaler 1 och 2

## 4 Installation och kabeldragning



**VARNING** Installationen ska utföras i ett säkert område. I annat fall ska du se till att en säker arbetsprocedur enligt IEC 60079-14 har implementerats för det farliga området.



**VARNING** När HMT370EX är strömförsörjt får transmitterhöljet inte öppnas i ett farligt område. Proben kan lossas och bytas ut medan HMT370EX har spänning. Allt annat underhåll på installationer med spänning, inklusive byte av probhuvudfilter, är otillåtet.

### 4.1 Installationsförberedelser

Kontrollera följande innan installationen påbörjas:

- Kontrollera att installationsplatsen är lämplig för transmitters Ex-klassificering: se [Tabell 61 \(sida 220\)](#).
- Läs igenom informationen om farligt område i [Riktlinjer för säker användning i farliga miljöer \(sida 221\)](#) för ytterligare information om Ex-säkerhetskrav relaterade till HMT370EX och specifika användningsvillkor.
- Gå igenom kopplings scheman som ingår i det här dokumentet för information om kabeldragning med antingen en galvanisk frånskiljare eller en Zener-barriär.
  - [Kablar med galvaniska frånskiljare \(sida 232\)](#)
  - [Kablar med Zener-barriärer \(sida 233\)](#)
- Säkerställ att kabelförskruvningarna och kontakterna som väljs för applikationen är Ex-kompatibla. Förskruvningarna och kontakterna ska vara vatten- och dammtåta.

#### Information om kabeldragning



**VARNING** Skyddad installation med hjälp av galvaniska isolatorer eller Zener-barriärer är obligatorisk i en farlig miljö.



**FÖRSIKTIGT** När du planerar kablarna för din applikation ska du tänka på att kanal 1 (CH1) alltid ska anslutas. Transmittern tar emot ström via skruvkontakterna för kanal 1 och slås inte på om endast kanal 2 (CH2) är ansluten.



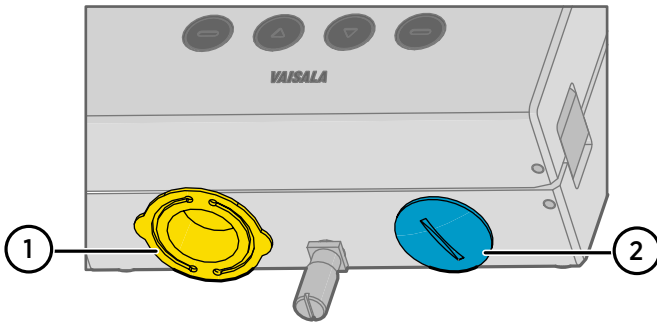
**FÖRSIKTIGT** Se till att transmittern får rätt spänning. 12 VDC är den lägsta spänningen, mätt vid transmitterns skruvkontakter, under alla förhållanden. Om matningsspänningen är lägre än 12 VDC kan den analoga utgångsströmmen vara felaktig.



Vi rekommenderar att du använder kabelhylsor på de avskalade trådarna för att säkerställa säker anslutning till skruvkontakterna.

### Val av genomföringar och standardkontakter

HMT370EX levereras med två olika kontakttypen på transmitterns genomföringar (se [Figur 75](#) (sida 228)).



Figur 75 Standardkontakter i HMT370EX-genomföringar

- 1 Löstagbart transportskydd av plast: ska bytas ut (fäll ihop sidorna på transportskyddet och dra ut det)
- 2 Tätningsplugg av metall: kan användas vid den slutliga installationen

Transportskyddet av plast (**1**) ska alltid bytas ut mot en Ex-kompatibel kabelförskruvning, kabelhölje eller tätning vid anslutning av HMT370EX. Tätningspluggen av metall (**2**) kan lämnas på plats och användas i den slutliga installationen, om ingen genomföring används på höger sida. För kabelförskruvningar och kabelhöljesalternativ, se *HMT370EX User Guide*.

## 4.2 Installera HMT370EX



- Skruvar för montering av transmittern:
  - Installation direkt genom transmitterkroppen: 2 st. skruvar,  $\varnothing$  5,5 mm
  - Installation med valfri monteringsplatta: 4 st. skruvar,  $\varnothing$  5,5 mm, och 2 st. M6-insexskruvar
- Krysskrummejsel för skruvarna till transmitters lock och kabelskruvkontakter
- Spårskrummejsel för jordningskontakten
- Kabelförskruvningar, kabelhöljen och kontakter som krävs i din applikation och lämpliga verktyg för att fästa och dra åt dem
- Avbitartång

### Alternativt:

- Pressverktyg och kabelhylsor
- Insexnyckel (5 mm) för probkroppens låshjul
- Ex-kompatibel multimeter för testning av analoga utgångar



Steg 1 till 7 hänvisar till bilderna 1 till 7 på bildsidorna **3** och **4** i början av dokumentet.

1. Välj en yta (till exempel en vägg) som du vill installera transmittern på. Du kan montera transmittern direkt på installationsytan med hjälp av två skruvar, eller använda en extra monteringsplatta som fästs på baksidan av transmittern.
  - a. Installation utan monteringsplatta: fäst transmitterkroppen direkt på installationsytan med 2 st. skruvar,  $\varnothing$  5,5 mm. Det vänstra skruvhålet har extra vertikalt utrymme för justering av transmitters position efter att du har satt fast den högra skruven.
  - b. Installation med monteringsplatta: fäst monteringsplattan på installationsytan med 4 st. skruvar,  $\varnothing$  5,5 mm, och sätt sedan fast transmittern på monteringsplattan med 2 st. M6-insexskruvar.
2. Sätt fast kabelförskruvningar (1 eller 2) på de kabelgenomföringar som krävs för din applikation. Observera kraven på kabelförskruvningar som anges i [Specifika användningsvillkor \(sida 222\)](#).
  - Båda genomföringarna har M20 x 1,5-gängor.
  - Plugga igen eventuellt oanvända genomföringar med Ex-kompatibla tätningar.
  - Förskruvningarna och kontakterna ska vara vatten- och dammtäta.

3. Förbered de kabeldragningar som krävs för din applikation (kablar genom antingen en eller två genomföringar).
  - a. Skala kabelrådarna: vi rekommenderar att du sätter fast kabelhylsor på kablarnas kontaktändar.
  - b. Öppna kabelgenomföringen och för in lämplig kabellängd i transmittern via kabelgenomföringen.
  - c. Dra åt kabelgenomföringen: se instruktioner för genomföringarna som används i din applikation för maximal täthet.
  - d. Om din installation inte kräver att båda genomföringarna används ska du plugga igen den oanvända genomföringen med en Ex-kompatibel tätning.
4. Anslut de skruvkontakter för kablar som krävs för din applikation. För skyddade installationskopplingsscheman, se [Kablar med galvaniska fränskiljare \(sida 232\)](#) och [Kablar med Zener-barriärer \(sida 233\)](#).
  - a. Öppna kabelklämmorna under skruvkontakterna och dra kablarna till kontakterna genom klämmorna.
  - b. Anslut kablarna till skruvkontakterna.



Observera att kanal 1 (CH1) alltid ska anslutas. Transmittern tar emot ström via skruvkontakterna för kanal 1 (CH1) och slås inte på om endast kanal 2 (CH2) är ansluten.

- c. Justera längden på kablarna och stäng kabelklämmorna så att de håller kablarna på plats.

**Alternativt:** Anvisningar för testning av den analoga utgångsnivån med hjälp av en multimeter finns i [steg 8](#).

5. Stäng transmitterkroppens lock och dra åt skruvarna. Sätt sedan fast probkroppen på transmittern.



Det räcker att dra åt probkroppen med fingrarna med hjälp av låshjulet. För att förhindra att probkroppen tas bort utan verktyg kan du dra åt låshjulet ytterligare med en insexnyckel (5 mm).

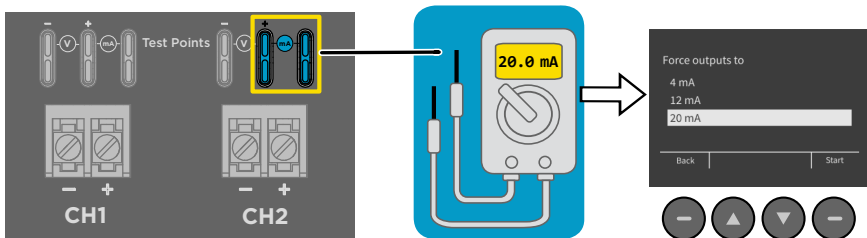
6. Montera probhuvudet i det område du vill mäta.



Proberna i HMT370EX-serien är utformade för en rad olika applikationer med varierande installationskrav. Probspecifika installationsanvisningar finns i *HMT370EX User Guide*.

7. Anslut jordningskontakten på transmitterns undersida till jordningskontakten på installationsplatsen med hjälp av en jordningskabel på 4 mm<sup>2</sup>. När du har jordat transmittern, slå på strömförsörjningsingången.

8. **Alternativt:** om du vill verifiera utgångsnivån för de analoga utgångskanalerna, testa anslutningen enligt följande:
- Lossa probkroppen och öppna transmitters lock.
  - Anslut en multimeter till mA-testpunkterna ovanför utgångsskruvkontaktarna på transmitters komponentkort (se bildsida **2** i början av dokumentet för placering av kontaktarna).
- i** Använd alltid en Ex-kompatibel multimeter. Multimelters utmatningsparametrar ska vara kompatibla med transmitters ingångsparametrar.
- Starta utgångstestläget antingen med hjälp av transmitters displaygränssnitt, eller, om du använder en transmitter utan display, genom att ansluta transmittern till Insight PC-programvaran. Anvisningar om hur du använder utgångstestläget med displaygränssnittet och Insight PC-programvaran finns i *HMT370EX User Guide*.
  - När du har verifierat utgången, ta bort multimetern, stäng transmitters lock och sätt tillbaka probkroppen.

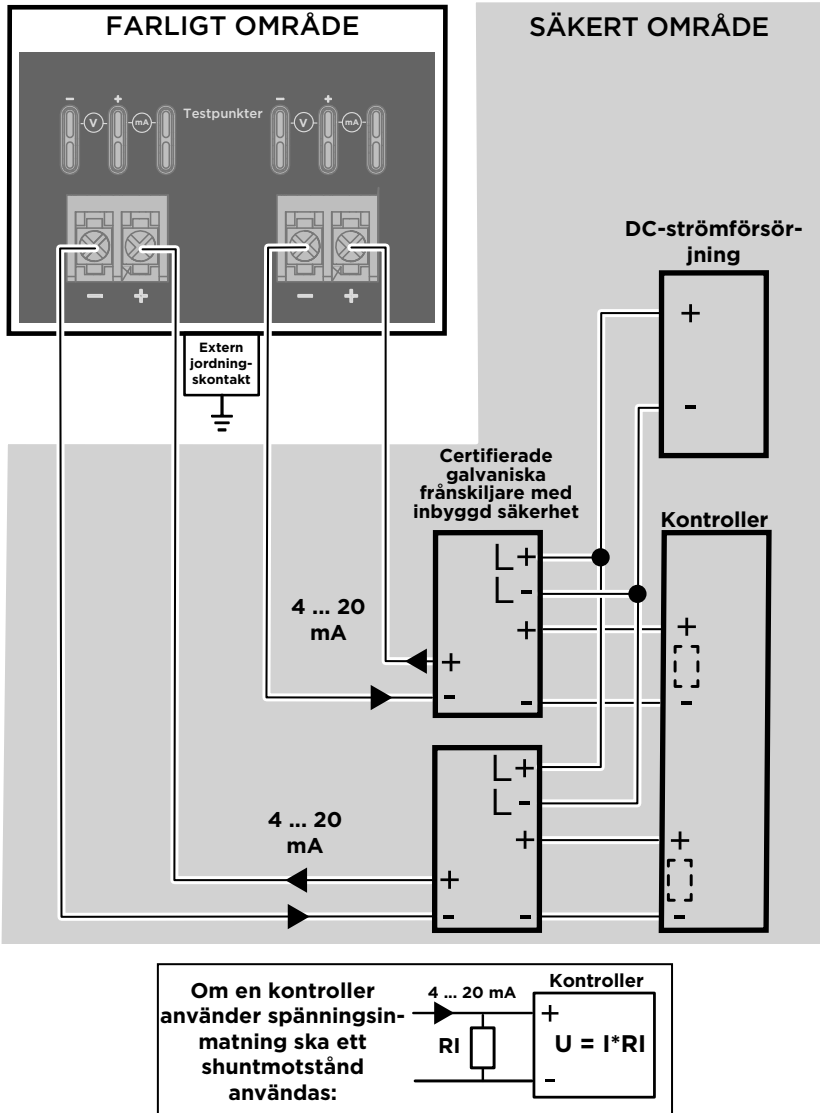


Figur 76 Översikt över multimeter-testpunkt



**FÖRSIKTIGT** Serviceporten (se [Figur 74 \(sida 224\)](#)) får endast användas i ett säkert område. Ta antingen bort transmittern från det farliga området eller se till att en säker arbetsprocedur har implementerats för det farliga området. Använd endast Vaisalas PC-anslutningskabel i serviceporten.

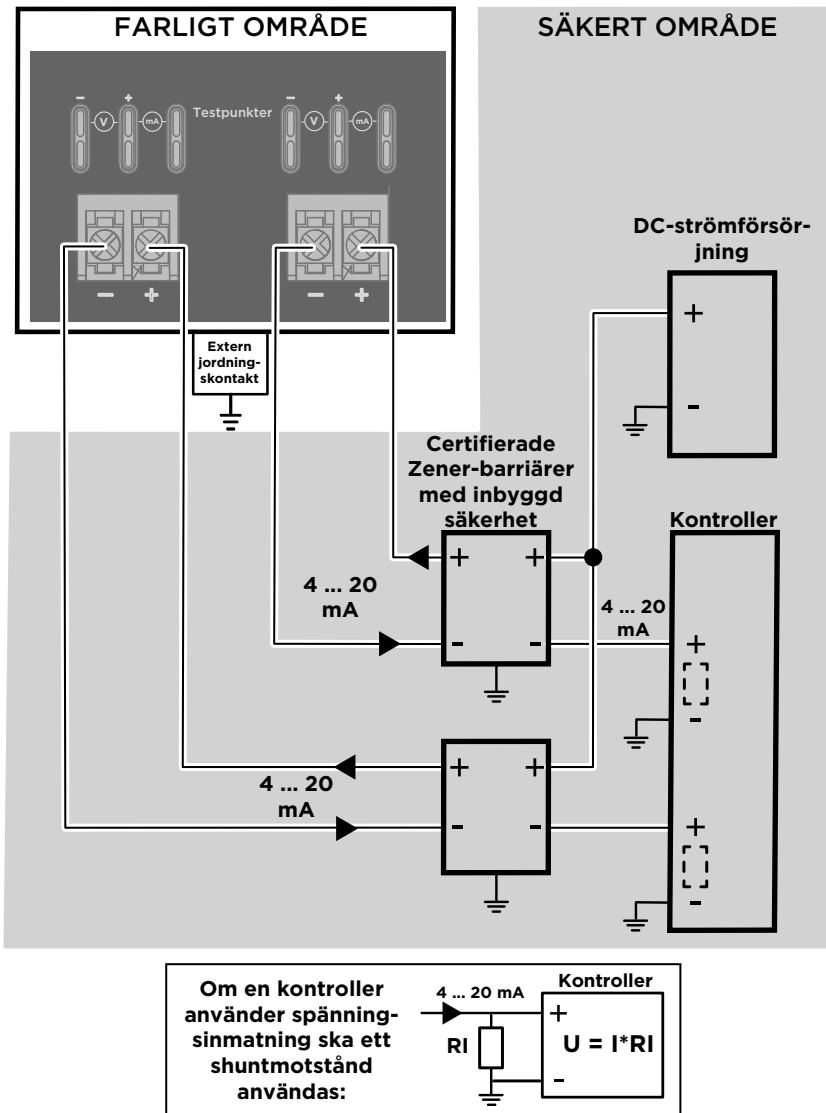
### 4.3 Kablar med galvaniska frånskiljare



Figur 77 Kopplingschema med galvaniska frånskiljare



## 4.4 Kablar med Zener-barriärer



Figur 78 Kopplingsschema med Zener-barriärer

## Underhålls- och kalibreringstjänster



Vaisala erbjuder omfattande kundvård under hela livscykeln för våra mätinstrument och system. Våra fabrikstjänster tillhandahålls över hela världen med snabba leveranser. Mer information finns på [www.vaisala.com/calibration](http://www.vaisala.com/calibration).

- Vaisalas onlinebutik på [store.vaisala.com](http://store.vaisala.com) finns i de flesta länder. Du kan bläddra bland erbjudandena efter produktmodell och beställa rätt tillbehör och reservdelar samt underhålls- och kalibreringstjänster.
- Om du vill kontakta din lokala underhålls- och kalibreringsexpert, se [www.vaisala.com/contactus](http://www.vaisala.com/contactus).

## Garanti

Information om standardgarantier och standardvillkor finns på [www.vaisala.com/warranty](http://www.vaisala.com/warranty).

Observera att sådan eventuell garanti kanske inte gäller vid skador till följd av normalt slitage, extrema driftsförhållanden, oaktsam hantering eller installation eller obehöriga ändringar. Se gällande leveranskontrakt eller försäljningsvillkor för information om garantin för varje produkt.

## Teknisk support



Kontakta Vaisala teknisk support på [helpdesk@vaisala.com](mailto:helpdesk@vaisala.com). Lämna minst följande information till vår hjälp, om tillämpligt:

- Produktens namn, modell och serienummer
- Programvaru-/Fast programvaruversion
- Installationsplatsens namn och plats
- Namn och kontaktinformation till en tekniker som kan lämna ytterligare information om problemet

Mer information finns i [www.vaisala.com/support](http://www.vaisala.com/support).

## Återvinning



Återvinn allt lämpligt material.



Följ gällande föreskrifter för avfallshantering av produkten och emballaget.

# 1 Introduksjon til HMT370EX-serien

Vaisala HUMICAP® fuktighets- og temperatursenderserien HMT370EX er den ideelle løsningen for måling av fuktighet på risikofylte steder. HMT370EX er egensikker og robust og fungerer trygt og pålitelig selv på de mest risikofylte stedene, som sone 0. HMT370EX-sendere kan brukes som erstatning for den tradisjonelle HMT360-senderserien i alle HMT360-applikasjoner.

HMT370EX kan installeres direkte i eksplosjonsfarlige områder. Den tåler kontinuerlig eksponering for potensielt eksplosive miljøer som inneholder brannfarlige gasser eller støv, og krever ingen ekstra beskyttende hus for å kunne brukes i miljøer med gass eller støv.

HMT370EX tilbyr flere sondealternativer for forskjellige applikasjoner. Takket være den avtakbare sondemodulen kan sonder enkelt byttes ut og fjernes for kalibrering utenfor det risikofylte området uten å fjerne hele senderen.

Senderen har to analoge strømutgangskanaler (4–20 mA) for tilkobling via sikkerhetsbarrierer. For å gi brukervennlig tilgang til konfigurasjons-, diagnostikk- og kalibrerings- og justeringsfunksjoner kan sonden og senderens hoveddel kobles til Vaisala Insight PC-programvare for konfigurering enten som en enhet eller separat.

## 1.1 Grunnleggende egenskaper og alternativer

- Tilgjengelige måleparametere: Relativ luftfuktighet (RH) og temperatur (T)
  - Beregnede måleparametere omfatter<sup>1)</sup>: Duggpunkttemperatur, våttemperatur, absolutt fuktighet, blandingsforhold, vannkonsentrasjon, vannmassefraksjon, vandamptrykk, entalpi og olje-/drivstoffuktighet med spesielle modeller
- Ex-klassifisering: IECEx- og ATEX-sertifisert for bruk i sone 0- og sone 20-miljøer: for komplette Ex-klassifiseringer, se [Tabell 66 \(side 236\)](#).
- To analoge utganger (4–20 mA, skalerbar, isolert)
- Skjermalternativer: Grafisk LCD-skjerm eller modell uten skjerm
- Strømforsyningsinngang: 12 ... 28 V
- Kompatibel med Vaisala Insight PC-programvare

## 1.2 Mer informasjon

For mer informasjon om bruk, konfigurasjon og vedlikehold av senderen etter installasjon, se *HMT370EX User Guide* (tilgjengelig på [www.vaisala.com/HMT370EX](http://www.vaisala.com/HMT370EX)).

1) *Flere tilgjengelige beregnede parametere: Se produktinformasjon på [vaisala.com](http://vaisala.com)*

## 2 Bruk av sendere i HMT370EX-serien på risikofylte steder



**ADVARSEL** Beskyttet installasjon ved bruk av galvaniske isolatorer eller Zener-barrierer er obligatorisk i et risikofylt miljø.

I risikofylte miljøer må alltid senderne kobles til via galvaniske isolatorer eller Zener-barrierer. En galvanisk isolator eller Zener-barriere må også brukes når senderen og sonden hoveddel befinner seg på et sikkert sted, men sondehodet er installert i et risikofylt miljø. For informasjon om kabling, se koblingsskjemaene for galvanisk isolator og Zener-barriere som finnes i dette dokumentet.

HMT370EX har ikke en galvanisk isolator eller en Zener-barriere. De kan bestilles som valgfritt tilbehør fra Vaisala.



**ADVARSEL** Sendere i HMT370EX-serien er utviklet for bruk på risikofylte steder iht. til produktklassifiseringen. Personalet som installerer, bruker eller vedlikeholder HMT370EX-sendere, er ansvarlig for å fastslå at HMT370EX har tilstrekkelig beskyttelse for den tiltenkte applikasjonen, samt at enhetens klassifisering med hensyn til risikofylt sted samsvarer med kravene som applikasjonen stiller.



**ADVARSEL** Hvis utstyret brukes på andre måter enn det Vaisala har angitt, kan den beskyttende effekten bli redusert.

Senderne i HMT370EX-seriene er sertifisert for bruk på risikofylte steder, slik disse er definert i følgende klassifisering:

Tabell 66 Klassifiseringer av risikofylt sted for HMT370EX-serien

Sertifisering	HMT370EX-klassifisering
IECEX <sup>1)</sup> / ATEX <sup>2)</sup>	II 1 G Ex ia IIC T4 Ga II 1 D Ex ia IIIC T <sub>200</sub> 85 °C Da -40 °C ≤ T <sub>amb</sub> ≤ +60 °C

1) Internasjonal sertifisering

2) EU-sertifisering

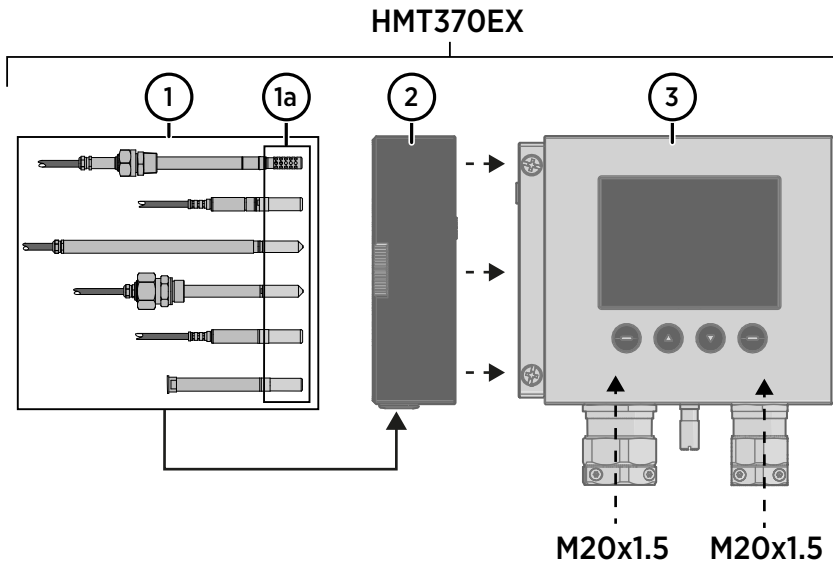


**FORSIKTIG** Personalet som installerer, bruker og vedlikeholder HMT370EX-senderne, må ha nødvendig kompetanse for arbeid på risikofylte steder, slik dette er definert i gjeldende standarder.

For informasjon om standarder som gjelder for bruk av HMT370EX basert på enhetens klassifikasjon, se sertifiseringsdokumentasjonen for HMT370EX og samsvarserklæringene som gjelder for HMT370EX, på [www.vaisala.com/declarationofconformity](http://www.vaisala.com/declarationofconformity).

## 2.1 Retningslinjer for sikker bruk under risikofylte forhold

### Oversikt over HMT370EX-seriens deler



Figur 79 Oversikt over HMT370EX-deler

Sendere i HMT370EX-serien består av tre hoveddeler: Senderens hoveddel, en avtakbar sondehoveddel og et sondehode som er festet til sondens hoveddel, enten direkte eller ved hjelp av en kabel. [Figur 79 \(side 237\)](#) viser hoveddelene.

- 1 Sondehoder (for beskrivelser av variant, se *HMT370EX User Guide*)
- 1a Sondehodefiltre
- 2 Sondens hoveddel
- 3 Senderens hoveddel

De forskjellige sondehodevariantene er utformet for en rekke applikasjoner og har sine egne spesifikasjoner. Forsikre deg om at senderens hoveddel, sondens hoveddel og sondehodet plasseres i et miljø som samsvarer med spesifikasjonen for delen. For tillatte omgivelsestemperaturintervaller, se [Tabell 67 \(side 238\)](#).

Tabell 67 Tillatte omgivelsestemperaturintervaller

Utstyrsdel	Tillatte omgivelsestemperaturintervall
Senderens hoveddel	-40 °C ... +60 °C (-40 ... +140 °F)
Sondens hoveddel	-40 °C ... +60 °C (-40 ... +140 °F)
Sondehode HMP371	Temperaturklasse T4: -40 °C ... +60 °C (-40 ... +140 °F)
Sondehode HMP373	<b>Gummikabelversjon:</b> Temperaturklasse T6: -40 °C ... +55 °C (-40 ... +131 °F) Temperaturklasse T5: -40 °C ... +80 °C (-40 ... +176 °F) <b>FEP-kabelversjon:</b> Temperaturklasse T6: -40 °C ... +55 °C (-40 ... +131 °F) Temperaturklasse T5: -40 °C ... +100 °C (-40 ... +212 °F) Temperaturklasse T4: -40 °C ... +120 °C (-40 ... +248 °F)
Sondehode HMP374, HMP375, HMP377, HMP378, HMP378F og HMP378H	Temperaturklasse T6: -70 °C ... +55 °C (-94 ... +131 °F) Temperaturklasse T5: -70 °C ... +100 °C (-94 ... +212 °F) Temperaturklasse T4: -70 °C ... +135 °C (-94 ... +275 °F) Temperaturklasse T3: -70 °C ... +180 °C (-94 ... +356 °F)

## 2.1.1 Spesifikke bruksbetingelser



**FORSIKTIG** Ved installasjon av utstyret i sone 0 gruppe II-området må du forsikre deg om at det ikke oppstår gnister som følge av støt eller friksjon.

### Krav til kabling

- Kabelmuffene og kablene som brukes til kabling av enheten, må ikke svekke Ex-beskyttelsen.
  - Ubrukte gjennomføringer må forsegles med Ex-samsvarende plugger.
- Velg en strekkavlastning som passer til applikasjonen (bruk enten kabelmuffer med strekkavlastning eller monter separate klemmer: se IEC 60079-14).



**FORSIKTIG** Koble kun til strømløse ledninger. Aktiver aldri strømforsyningsinngangen før du har fullført kablingen og lukket senderens hoveddel.

### Egensikkerhet

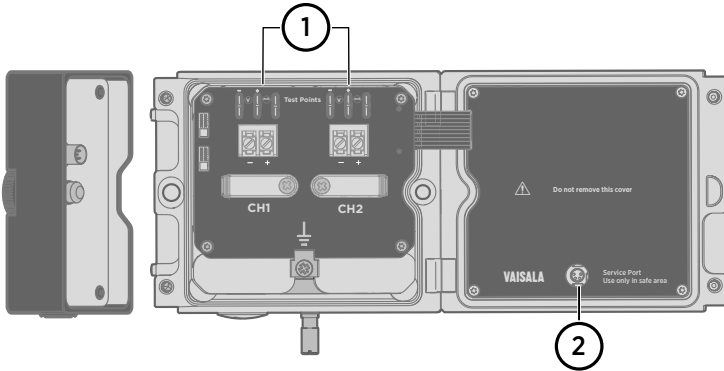
Overspenningskategorien til HMT370EX-sendere er I (utstyr ikke for nettilkobling), og graden av forurensning i omgivelsene er 4, som spesifisert i IEC 60664-1. For parameterne for egensikker inngang, se [Tabell 68 \(side 239\)](#).

Tabell 68 Egensikre inngangsparametere

Parameter	Verdi	Parametere for tilknyttet apparat
$U_i$	28 VDC	$U_o \leq U_i$
$I_i$	100 mA	$I_o \leq I_i$
$P_i$	700 mW	$P_o \leq P_i$
$C_i$	12,1 nF	$C_o \geq C_i + C_{\text{kabel}}$
$L_i$	16 $\mu$ H	$L_o \geq L_i + L_{\text{kabel}}$

### Bruke testpunkter for analog utgang

Det befinner seg testpunkter for måling av spenninger og strøm til de analoge utgangene plassert over hver skrueterminalblokk, som vist i [Figur 80 \(side 240\)](#). Tilgang til testpunktene på komponentkortet krever at du åpner senderhuset.



Figur 80 Plassering av testpunkter og serviceport

- 1 Multimeter-testpunkter for analog utgangskanal 1 og 2
- 2 Serviceport for PC-tilkobling



**FORSIKTIG** Huset til senderens hoveddel må ikke åpnes i et eksplosjonsfarlig område, med mindre det er utstedt en sikker arbeidstillatelse i samsvar med standarden IEC 60079-14. Fjern enten senderen fra det farlige området før du åpner huset, eller sørg for at en IEC 60079-14-kompatibel sikker arbeidsprosedyre er implementert i det risikofylte området.

Bruk et egensikkert multimeter som ikke fører til at de egensikre inngangsparametrene som er oppført i [Tabell 68 \(side 239\)](#), overskrides når det er koblet i serie (strømmåling) eller parallelt (spenningsmåling) til det aktuelle apparatet.

#### Bruke serviceporten

Serviceporten (se [Figur 80 \(side 240\)](#)) må bare brukes i et sikkert område. Fjern enten senderen fra det risikofylte området, eller sørg for at en sikker arbeidsprosedyre er implementert i det risikofylte området. Bruk kun PC-tilkoblingskabelen for Vaisala-tilbehør med serviceporten.

#### Vedlikehold

Sonden (inkludert sondens hoveddel og hode) kan løsnes og skiftes ut av brukeren. Sondehodefilteret (se [Figur 79 \(side 237\)](#)) kan også skiftes ut av brukeren. For annet vedlikehold kontakter du Vaisala.



**FORSIKTIG** Sonden kan løsnes og byttes når HMT370EX er strømførende. Alt annet strømførende vedlikehold, herunder bytte av sondehodefilter, er ikke tillatt.



Innholdet i dette kapitlet ajourføres i følgende dokument med sporing:

Dokument-ID: M212506NO

Revisjon: D (11. okt. 2021)

## 3 HMT370EX-deler

### Eksterne deler



Punktene A til J viser til illustrasjonsside **1** for eksterne deler fremst i dokumentet. Punktene 1 til 7 viser til illustrasjonsside **2** for interne deler fremst i dokumentet.

Tabell 69 Eksterne deler

Punkt	Beskrivelse
A	Sondehode (for HMP370EX-sondehodevariantalternativer, se <i>HMT370EX User Guide</i> )
B	Avtakbar sondehoveddel
C	Senderhoveddel (se <i>Interne deler</i> -tabellen)
D	LCD-skjerm (på modell med skjerm)
E	Skjermens brukergrensesnittknapper (kun skjermmodell)
F	Veggputer (4 stk.)
G	Monteringsplate (valgfri)
H	Låseskive for sondens hoveddel
I	Jordingsklemme
J	Gjennomføringer for ledninger (for kabelmuffe og gjennomføringsalternativer, se <i>HMT370EX User Guide</i> )

### Interne deler

Tabell 70 Interne deler

Punkt	Beskrivelse
1	Hull for monteringsskruer
2	Kabelfesteklemmer
3	Senderens jordingsklemme
4	Senderens serviceport (M8, krever Vaisala USB-tilkoblingskabel)
5	Serviceport for sondens hoveddel (M12, krever Vaisala USB-tilkoblingskabel)
6	Multimetertestpunkter for strøm og spenning for analog utgangskanal 1 og 2
7	Skrueterminaler for kabling av analog utgangskanal 1 og 2

## 4 Installasjon og kabling



**ADVARSEL** Installasjonen må utføres i et sikkert område, eller du må sørge for at en IEC 60079-14-samsvarende arbeidsprosedyre er implementert i det risikofylte området.



**ADVARSEL** Når HMT370EX er strømførende, må ikke senderhuset åpnes i et risikofylt område. Sonden kan løsnes og byttes når HMT370EX er strømførende. Alt annet strømførende vedlikehold, herunder bytte av sondehodefilter, er ikke tillatt.

### 4.1 Installasjonsforberedelser

Sjekk følgende før du starter installasjonen:

- Forsikre deg om at installasjonsstedet passer senderens Ex-klassifisering: se [Tabell 66 \(side 236\)](#).
- Gå gjennom informasjonen om risikofylt område i [Retningslinjer for sikker bruk under risikofylte forhold \(side 237\)](#) for ytterligere informasjon om Ex-sikkerhetskrav knyttet til HMT370EX og spesifikke bruksbetingelser.
- Gjennomgå koblingsskjemaene i dette dokumentet for informasjon om kabling ved hjelp av enten en galvanisk isolator eller en Zener-barriere.
  - [Kabling med galvaniske isolatorer \(side 248\)](#)
  - [Kabling med Zener-barrierer \(side 249\)](#)
- Ved valg av kabelmuffer og pluggene til applikasjonen må du forsikre deg om at de er Ex-samsvarende. Muffene og pluggene må være vann- og støvtette.

#### Kablingsinformasjon



**ADVARSEL** Beskyttet installasjon ved bruk av galvaniske isolatorer eller Zener-barrierer er obligatorisk i et risikofylt miljø.



**FORSIKTIG** Når du planlegger kablingen til applikasjonen, skal du være oppmerksom på at kanal 1 (CH1) alltid må være kablet. Senderen mottar strøm gjennom kanal 1-skrueterminalene og aktiveres ikke på hvis kun kanal 2 (CH2) er kablet.



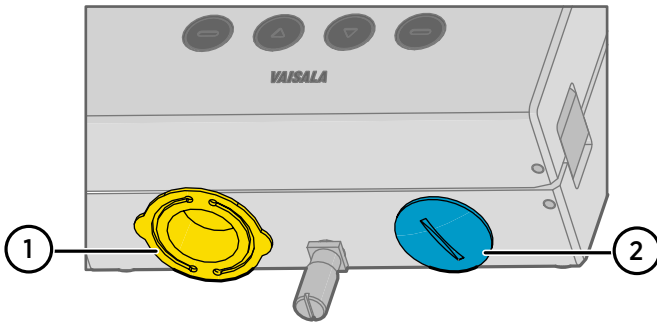
**FORSIKTIG** Forsikre deg om at senderen får riktig strøm. 12 VDC er minimumsspenningen under alle forhold, målt ved senderens skrueterminaler. Hvis forsyningsspenningen er mindre enn 12 VDC, kan den analoge utgangsstrømmen bli feil.



Det anbefales å bruke hylser på de avisolerte ledningene for å sikre en god forbindelse med skrueterminalene.

### Valg av gjennomføring og standardplugger

HMT370EX leveres med to forskjellige pluggtyper på senderens gjennomføringer, som vist i [Figur 81 \(side 244\)](#).



Figur 81 Standardplugger i HMT370EX-gjennomføringer

- 1 Avtakbart transportdeksel av plast: Må skifte ut (brett sidene av transportdekslet sammen og trekk ut)
- 2 Tetningsplugg av metall: Kan brukes ved endelig installasjon

Transportdekslet av plast (1) må alltid skiftes ut med en Ex-kompatibel kabelmuffe, ledning eller tetning når du kabler HMT370EX. Tetningspluggen av metall (2) kan bli værende og brukes i den endelige installasjonen hvis høyre gjennomføring ikke brukes. For kabelmuffe og kabelgjennomføringsalternativer, se *HMT370EX User Guide*.

## 4.2 Installere HMT370EX



- Skruer for montering av senderen:
  - Installasjon direkte gjennom senderens hoveddel: 2 stk. skruer Ø 5,5 mm
  - Installasjon med valgfri monteringsplate: 4 stk. skruer Ø 5,5 mm og 2 stk. M6-unbrakoskruer
- Stjerneskruetrekker for festeskruer i senderens deksel og skrueterminaler for kabling
- Skrutrekker med flatt hode for jordingsklemmen
- Kabelmuffer, gjennomføringer og plugger etter behov i applikasjonen, og egnet verktøy til å feste og stramme dem
- Kabelkuttetang

### Valgfritt:

- Modulartang og ledningshylser
- Unbrakonøkkel (5 mm) til sondehoveddelens låseskive
- Ex-samsvarende multimeter for testing av analoge utganger



Trinn 1–7 refererer til illustrasjon 1–7 på illustrasjonssidene **3** og **4** fremst i dokumentet.

- ▶ 1. Velg en overflate (for eksempel en vegg) for installering av senderen. Du kan montere senderen direkte på installasjonsflaten med to skruer eller bruke en valgfri monteringsplate som festes på baksiden av senderen.
  - a. Installasjon uten monteringsplate: Fest senderens hoveddel direkte til installasjonsflaten med to skruer Ø 5,5 mm. Det venstre skruehullet har ekstra vertikalt rom for justering av posisjonen til senderen etter at du har festet høyre skrue.
  - b. Installasjon med monteringsplate: Fest monteringsplaten på installasjonsflaten med fire skruer Ø 5,5 mm, og fest deretter senderen til monteringsplaten med to M6-unbrakoskruer.
2. Fest kabelmuffen(e) (én eller to) til kabelgjennomføringene, avhengig av applikasjonens behov. Vær oppmerksom på kravene til kabelmuffer som er oppført i [Spesifikke bruksbetingelser \(side 238\)](#).
  - Begge gjennomføringene har M20x1,5-gjenger.
  - Plugg mulige ubrukte gjennomføringer med Ex-kompatible tetninger.
  - Muffene og pluggene må være vann- og støvtette.

3. Forbered kablingsledningene etter behov i applikasjonen (kabling enten gjennom én eller to gjennomføringer).
  - a. Avisoler ledningstrådene: Det anbefales å feste hylser påledningenes kontaktender.
  - b. Åpne kabelmuffen og før inn en passende lengde av ledningen inn i senderen gjennom kabelmuffen.
  - c. Stram kabelmuffen: Se instruksjonene for muffene som brukes i applikasjonen, for maksimal stramming.
  - d. Hvis installasjonen ikke krever bruk av begge gjennomføringene, må du plugge den ubrukte gjennomføringen med en Ex-samsvarende tetning.
4. Koble til skrueterminalledningene etter behov i applikasjonen. For koblingsskjemaer for beskyttet installasjon, se [Kabling med galvaniske isolatorer \(side 248\)](#) og [Kabling med Zener-barrierer \(side 249\)](#).
  - a. Åpne kabelfesteklemmene under skrueterminalene, og før kablene til terminalene gjennom klemmene.
  - b. Koble ledningene til skrueterminalene.



Vær oppmerksom på at kanal 1 (CH1) alltid må være kablet. Senderen mottar strøm gjennom CH1-skrueterminalene, og aktiveres ikke hvis kun kanal 2 (CH2) er kablet.

- c. Juster lengden på ledningene og lukk kabelfesteklemmene slik at de holder kablene på plass.

**Valgfritt:** For instruksjoner om testing av det analoge utgangsnivået med et multimeter, se [trinn 8](#).

5. Lukk dekselet til senderens hoveddel og stram festeskruene, og fest deretter sondens hoveddel til senderen.



Det er tilstrekkelig å stramme sondens hoveddel fingerstramt med låseskiven. For å forhindre at sondens hoveddel løsnes uten verktøy, kan du stramme låseskiven ytterligere med en unbrakonøkkel (5 mm).

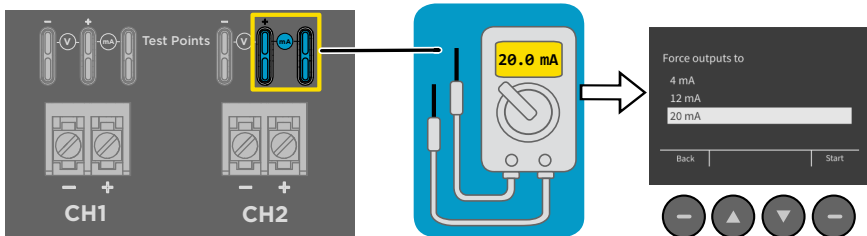
6. Monter sondehodet i området du vil måle.



HMT370EX-seriens sonder er utformet for en rekke applikasjoner med forskjellige installasjonskrav. For sondespesifikke installasjonsinstruksjoner, se *HMT370EX User Guide*.

7. Koble jordingsklemmen nederst på senderen til jordingselementet på installasjonsstedet med en jordingsledning på 4 mm<sup>2</sup>. Etter jording av senderen slår du på strømforsyningsinngangen.

8. **Valgfritt:** Hvis du vil bekrefte utgangsnivået til de analoge utgangskanalene, kan du teste tilkoblingen på følgende måte:
- Løsne sondens hoveddel og åpne senderens deksel.
  - Koble et multimeter til mA-testpunktene som befinner seg over utgangsskruterminalene på senderens komponentkort (se illustrasjonsside **2** fremst i dokumentet for plasseringen av terminalene).
- i** Bruk alltid et Ex-samsvarende multimeter. Utgangsparametrene til multimeteret må være kompatible med inngangsparametrene til senderen.
- Start utgangstestmodusen enten ved å bruke senderens skjermgrensesnitt, eller, hvis du bruker en sender uten skjerm, ved å koble senderen til Insight PC-programvare. For instruksjoner om bruk av utgangstestmodusen med skjermgrensesnittet og Insight PC-programvare, se *HMT370EX User Guide*.
  - Etter å ha bekreftet utgangen fjerner du multimeteret, lukker senderens deksel og fester sondens hoveddel igjen.

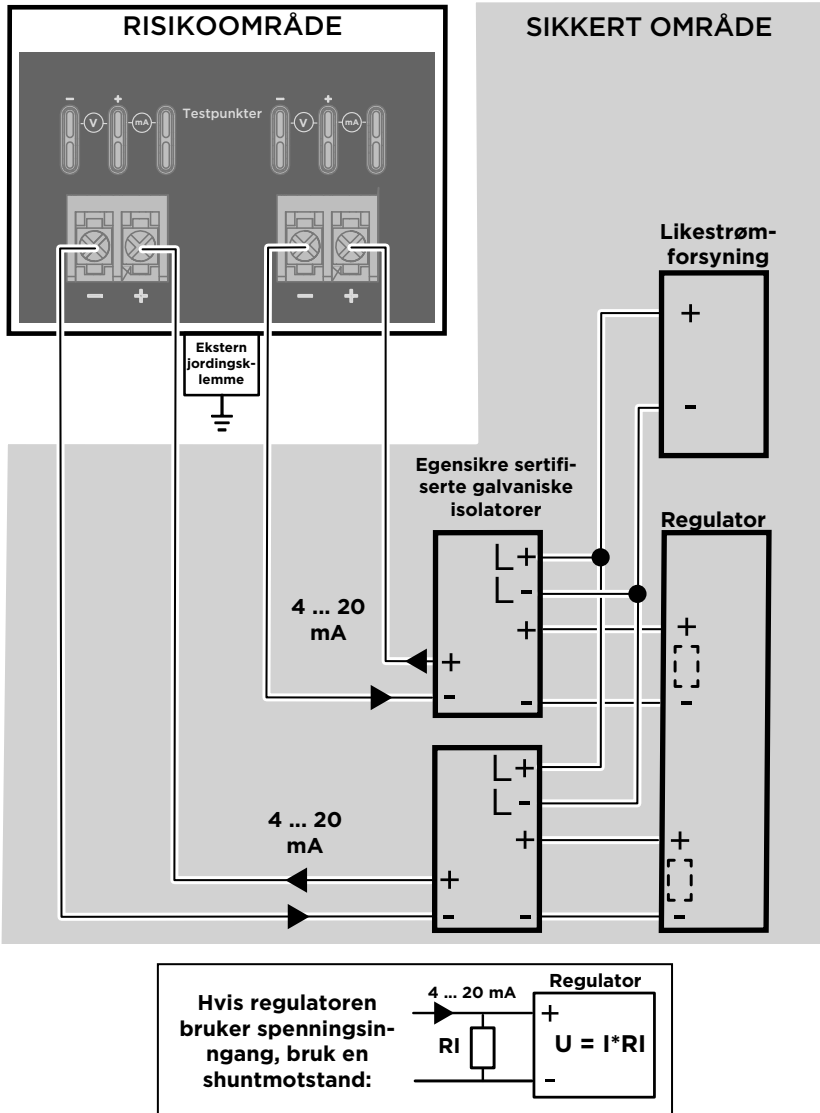


Figur 82 Oversikt over multimeteretestpunkter



**FORSIKTIG** Serviceporten (se [Figur 80 \(side 240\)](#)) må bare brukes i et sikkert område. Fjern enten senderen fra det risikofylte området, eller sørg for at en sikker arbeidsprosedyre er implementert i det risikofylte området. Bruk kun PC-tilkoblingskabelen for Vaisala-tilbehør med serviceporten.

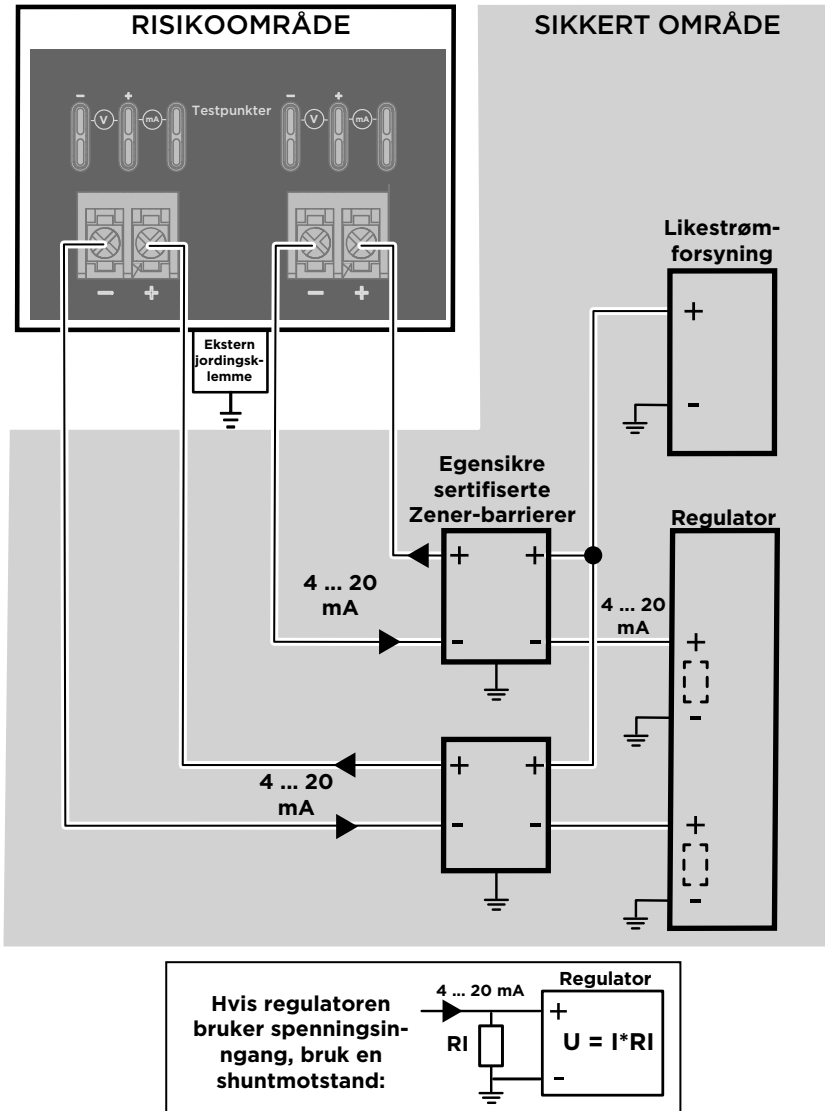
### 4.3 Kabling med galvaniske isolatorer



Figur 83 koblingsskjema med galvaniske isolatorer



## 4.4 Kabling med Zener-barrierer



Figur 84 Koblingskjema med Zener-barrierer

## Vedlikeholds- og kalibreringsservice



Vaisala tilbyr omfattende kundeservice gjennom hele livssyklusen til våre måleinstrumenter og -systemer. Service fra fabrikken har global rekkevidde og korte leveringstider. For mer informasjon, se [www.vaisala.com/calibration](http://www.vaisala.com/calibration).

- Vaisala nettbutikk, [store.vaisala.com](http://store.vaisala.com), er tilgjengelig i de fleste land. Du kan bla gjennom utvalget etter produktmodell og bestille riktig tilbehør, reservedeler eller vedlikeholds- og kalibreringsservice.
- For å kontakte din lokale vedlikeholds- og kalibreringseksperter, se [www.vaisala.com/contactus](http://www.vaisala.com/contactus).

## Garanti

Se [www.vaisala.com/warranty](http://www.vaisala.com/warranty) for standard garantivilkår.

Vær oppmerksom på at en slik garanti kan være ugyldig hvis skaden skyldes normal slitasje, uvanlige driftsforhold, uaktsom håndtering eller installasjon eller ikke-godkjente endringer. Se den aktuelle leveringskontrakten eller salgsvilkårene for detaljer vedrørende det enkelte produktets garanti.

## Teknisk støtte



Kontakt teknisk støtte hos Vaisala på [helpdesk@vaisala.com](mailto:helpdesk@vaisala.com). Oppgi minst følgende informasjon under henvendelsen (produktavhengig):

- Produktnavn, modell og serienummer
- Programvare-/fastvareversjon
- Installasjonsstedets navn og plassering
- Navn på og kontaktinformasjon til teknikeren som kan beskrive problemet mer detaljert

For mer informasjon, se [www.vaisala.com/support](http://www.vaisala.com/support).

## Resirkulering



Resirkuler alt aktuelt material.



Følg gjeldende retningslinjer for avhending av produktet og emballasjen.

# 1 Introduktion til HMT370EX-serien

Vaisala HUMICAP® fugtigheds- og temperatursenderserien HMT370EX er den ideelle løsning til måling af fugtighed i farlige områder. HMT370EX er selvsikrende og robust og fungerer sikkert og pålideligt selv i de mest farlige områder såsom zone 0. HMT370EX-sendererne kan bruges som erstatning for den længekørende HMT360-senderserie i alle HMT360-applikationer.

HMT370EX kan installeres direkte i eksplosive områder. Det kan modstå kontinuerlig eksponering for potentielt eksplosive miljøer, der indeholder brandfarlige gasser eller støv, og kræver ingen yderligere beskyttende kabinetter til drift i hverken gas- eller støvmiljøer.

HMT370EX tilbyder flere sondemuligheder til forskellige applikationer. Takket være det aftagelige sondemodul kan sonder let udskiftes og fjernes til kalibrering væk fra det farlige område uden at fjerne hele senderen.

Senderen har to analoge strømudgangskanaler (4-20 mA) til tilslutning via sikkerhedsbarrierer. For at opnå en brugervenlig adgang til konfigurations-, diagnosticerings-, og kalibrerings- og justeringsfunktioner kan sonden og senderlegemet tilsluttes Vaisala Insight pc-software til konfiguration enten sammen som én enhed eller separat.

## 1.1 Grundlæggende funktioner og valgmuligheder

- Tilgængelige måleparametre: relativ luftfugtighed (RH) og temperatur (T)
  - Beregnede måleparametre inkluderer <sup>1)</sup>: Dugpunktstemperatur, væsketermometeretemperatur, absolut fugtighed, blandingsforhold, vandkoncentration, vandmassefraktion, vanddamptryk, entalpi og olie/brændstoffugtighed med specielle modeller
- Ex-klassifikation: IECEx og ATEX certificeret til brug i Zone 0- og Zone 20-miljøer: de komplette Ex-klassifikationer findes i [Tabel 71 \(side 252\)](#).
- 2 analoge udgange (4 ... 20 mA, skalerbare, isolerede)
- Visningsindstillinger: grafisk LCD-skærm eller model uden skærm
- Strømforsyning: 12 ... 28 V
- Kompatibel med Vaisala Insight pc-software

## 1.2 Yderligere oplysninger

Der findes flere oplysninger om brug, konfiguration og vedligeholdelse af senderen efter installation i *HMT370EX User Guide* (tilgængelig på [www.vaisala.com/HMT370EX](http://www.vaisala.com/HMT370EX)).

1) *Yderligere beregnede parametre tilgængelige: Se produktinformation på [vaisala.com](http://vaisala.com)*

## 2 Brug af sendere i HMT370EX-serien i farlige områder



**ADVARSEL** Beskyttet installation ved hjælp af galvaniske isolatorer eller Zener-barrierer er obligatorisk i et farligt miljø.

I farlige omgivelser skal senderne altid forbindes via galvaniske isolatorer eller Zener-barrierer. En galvanisk isolator eller Zener-barriere skal også bruges, når senderen og sondelegemet er i et sikkert område, men sondehovedet er installeret i et farligt miljø. For oplysninger om ledningsføring henvises der til de ledningsdiagrammer til galvanisk isolator og Zener-barriere, der er inkluderet i dette dokument.

HMT370EX inkluderer ikke en galvanisk isolator eller en Zener-barriere. De kan bestilles som ekstraudstyr fra Vaisala.



**ADVARSEL** Sendere i HMT370EX-serien er udviklet til brug i eksplosionsfarlige områder, som specificeret i produktklassifikationen. De personer, som installerer, bruger eller vedligeholder HMT370EX-sendere, har ansvaret for at fastlægge det relevante beskyttelseskoncept for den specifikke HMT370EX-anvendelse af sonden. Brugeren har desuden ansvaret for, at klassifikationen af sonden overholder kravene til anvendelsen, den sidder under.



**ADVARSEL** Hvis udstyret bruges på en måde, der ikke er specificeret af Vaisala, kan den beskyttelse, der ydes af udstyret, blive forringet.

Sendere i HMT370EX-serien er certificeret til brug i farlige områder som defineret i følgende klassifikationer:

Tabel 71 HMT370EX-seriens klassifikation i eksplosionsfarlige områder

Certificering	HMT370EX-klassifikation
IECEX <sup>1)</sup> /ATEX <sup>2)</sup>	II 1 G Ex ia IIC T4 Ga II 1 D Ex ia IIIC T <sub>200</sub> 85 °C Da -40 °C ≤ T <sub>amb</sub> ≤ +60 °C

1) *International certificering*

2) *EU-certificering*

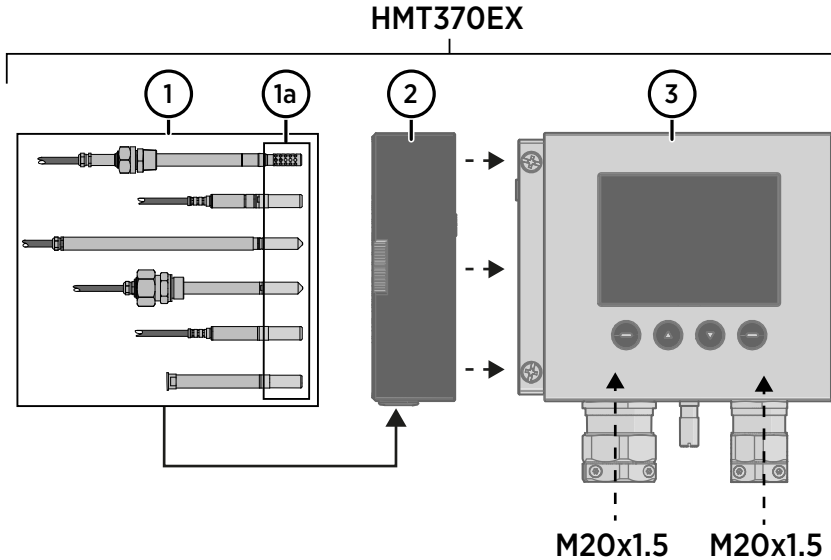


**FORSIGTIG** Personer, som installerer, betjener og vedligeholder HMT370EX-sendere, skal have de nødvendige kompetencer for at kunne arbejde i det klassificerede område, som det er defineret af de gældende standarder.

Oplysninger om de standarder, som gælder for brugen af HMT370EX på basis af enhedens klassifikation, se certificeringsdokumentationen for HMT370EX og overensstemmelseserklæringen vedrørende HMT370EX på [www.vaisala.com/declarationofconformity](http://www.vaisala.com/declarationofconformity).

## 2.1 Retningslinjer for sikker brug under eksplosionsfarlige forhold

### Oversigt over dele til HMT370EX-serien



Figur 85 Oversigt over dele til HMT370EX

Sendere i HMT370EX-serien består af tre hoveddele: Senderlegemet, et aftageligt sondelegeme og et sondehoved, der er fastgjort til sondelegemet, enten direkte eller ved hjælp af et kabel. [Figur 85 \(side 254\)](#) viser hoveddelene.

- 1 Sondehoveder (for variantbeskrivelser, se *HMT370EX User Guide*)
- 1a Sondehovedfiltre
- 2 Sondelegeme
- 3 Senderlegemet

De forskellige sondehovedvarianter er designet til en række applikationer og har deres egne specifikationer. Sørg for, at senderlegemet, sondelegemet og sondehovedet hver især er anbragt i et miljø, der svarer til delens specifikationer. Se tilladte omgivende temperaturområder i [Tabel 72 \(side 255\)](#).

Tabel 72 Tilladte omgivelsestemperaturområder

Udstyrsdel	Tilladte omgivelsestemperaturområde
Senderlegemet	-40 °C... +60 °C (-40... +140 °F)
Sondelegeme	-40 °C... +60 °C (-40... +140 °F)
Sondehoved HMP371	Temperaturklasse T4: -40 °C... +60 °C (-40... +140 °F)
Sondehoved HMP373	<b>Version af gummikabel:</b> Temperaturklasse T6: -40 °C... +55 °C (-40... +131 °F) Temperaturklasse T5: -40 °C... +80 °C (-40... +176 °F) <b>FEP-kabelversion:</b> Temperaturklasse T6: -40 °C... +55 °C (-40... +131 °F) Temperaturklasse T5: -40 °C... +100 °C (-40... +212 °F) Temperaturklasse T4: -40 °C... +120 °C (-40... +248 °F)
Sondehoveder HMP374, HMP375, HMP377, HMP378, HMP378F og HMP378H	Temperaturklasse T6: -70 °C... +55 °C (-94... +131 °F) Temperaturklasse T5: -70 °C... +100 °C (-94... +212 °F) Temperaturklasse T4: -70 °C... +135 °C (-94... +275 °F) Temperaturklasse T3: -70 °C... +180 °C (-94... +356 °F)

## 2.1.1 Specifikke anvendelsesbetingelser



**FORSIGTIG** Hvis udstyret installeres i et område i zone 0 gruppe II, skal det sikres, at der ikke kan dannes gnister ved tryk eller friktion.

### Krav til ledningsføring

- Kabelforskrninger og kabler, der bruges til ledningsføring af enheden, må ikke hæmme Ex-beskyttelsen.
  - Ubrugte kabelgennemføringer skal forsegles med Ex-kompatible propper.

- Vælg en fjederklemme, der passer til anvendelsen (brug enten kabeltætninger, der indeholder fjederklemme, eller installer separate klemmer: Se IEC 60079-14).



**FORSIGTIG** Tilslut kun ledninger i strømløs tilstand. Tænd aldrig for strømforsyningen, før du har fuldført ledningsføringen og lukket senderlegemet.

### Egensikkerhed

Overspændingskategorien for HMT370EX-sendere er **I** (udstyr uden netspænding) og den omgivende forureningsgrad er 4 som specificeret i IEC 60664-1. Egensikkerhedskredsen i indgangsparametre kan ses i [Tabel 73 \(side 256\)](#).

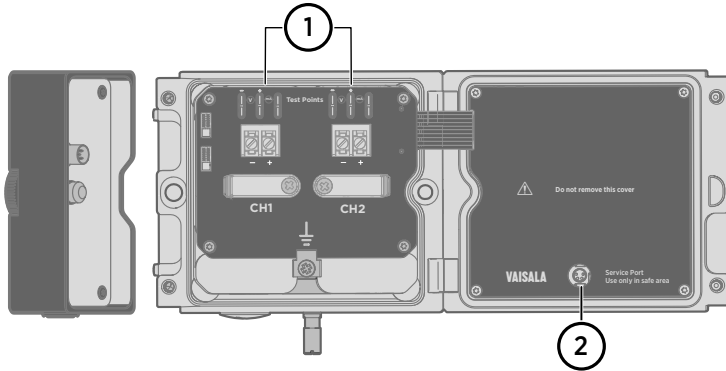
Tabel 73 Selvsikrende inputparametre

Parameter	Værdi	Enhedsparametre for tilhørende apparat
$U_i$	28 V DC	$U_o \leq U_i$
$I_i$	100 mA	$I_o \leq I_i$
$P_i$	700 mW	$P_o \leq P_i$
$C_i$	12,1 nF	$C_o \geq C_i + C_{\text{-kabel}}$
$L_i$	16 $\mu$ H	$L_o \geq L_i + L_{\text{-kabel}}$

### Brug af analoge output-testpunkter

Der er testpunkter til måling af spændinger og strømme på de analoge udgange, der er placeret over hver skrueklemme som vist i [Figur 86 \(side 257\)](#). Adgang til testpunkterne på komponentkortet kræver åbning af senderens hus.





Figur 86 Placering af testpunkter og serviceport

- 1 Multimeter-testpunkter for analoge udgangskanaler 1 og 2
- 2 Serviceport til pc-forbindelse



**FORSIGTIG** Senderlegemet må ikke åbnes i et eksplosionsfarligt område, medmindre der er udstedt en sikker arbejdstilladelse i overensstemmelse med standarden IEC 60079-14. Fjern enten senderen fra det farlige område, inden du åbner huset, eller sørg for, at der er implementeret en sikker IEC 60079-14-arbejdsprocedure i det farlige område.

Brug et egensikkert multimeter, der ikke forårsager, at de egensikre inputparametre, der er anført i [Tabel 73 \(side 256\)](#), overskrides, når den er tilsluttet i serien (strømmåling) eller parallel (spændingsmåling) til det tilknyttede apparat.

#### Brug af serviceporten

Serviceporten (se [Figur 86 \(side 257\)](#)) må kun bruges i et sikkert område. Fjern enten senderen fra det farlige område, eller sørg for, at der er implementeret en sikker arbejdsprocedure i det farlige område. Brug kun Vaisala-pc'ens tilslutningskabel sammen med serviceporten.

#### Vedligeholdelse

Sonden (inkluderer sondelegeme og -hoved) kan løsnes og udskiftes af brugeren. Sondehovedfilteret (se [Figur 85 \(side 254\)](#)) kan også udskiftes af brugeren. Kontakt Vaisala i forbindelse med andre vedligeholdelsesopgaver.



**FORSIGTIG** Sonden kan løsnes og ændres, når HMT370EX får strøm. Al anden vedligeholdelse på stedet, inklusive udskiftning af sondehovedfilter, er ikke tilladt.

Indholdet i dette kapitel opdateres i følgende separate dokument:	
Dokument-id: M212506DA	Version: D (11. okt. 2021)

## 3 HMT370EX-dele

### Eksterne dele



Komponent A ... J henviser til illustrationssiden **1** af eksterne dele i starten af dokumentet. Komponent 1 ... 7 henviser til illustrationssiden **2** af interne dele i starten af dokumentet.

Tabel 74 Eksterne dele

Komponent	Beskrivelse
A	Sondehoved (for HMP370EX-sondehovedvariantindstillinger, se <i>HMT370EX User Guide</i> )
B	Aftageligt sondelegme
C	Senderlegemet (se tabel <i>Interne dele</i> )
D	LCD-skærm (i valgfri skærmmodel)
E	Vis brugergrænsefladeknapper (kun skærmmodel)
F	Vægpuder (4 stk.)
G	Monteringsplade (valgfri)
H	Låsehjul til sondelegeme
I	Jordklemme
J	Gennemføringer til ledninger (til kabelforskrining og ledningsindstillinger, se <i>HMT370EX User Guide</i> )

### Interne dele

Tabel 75 Interne dele

Komponent	Beskrivelse
1	Huller til monteringskruer
2	Kabelfastgørelsesklemmer
3	Senderens jordforbindelse
4	Senderserviceport (M8, kræver Vaisala USB-forbindelseskabel)
5	Sondelegemeserviceport (M12, kræver Vaisala USB-forbindelseskabel)
6	Analog udgangskanal 1 og 2 multimeter-testpunkter for strøm og spænding
7	Skruesklemmer til tilslutning af analoge udgangskanaler 1 og 2

## 4 Installation og ledningsføring



**ADVARSEL** Installationen skal udføres i et sikkert område, eller du skal sikre, at der er implementeret en sikker IEC 60079-14-arbejdsprocedure i det farlige område.



**ADVARSEL** Når HMT370EX får strøm, må senderens hus ikke åbnes i et farligt område. Sonden kan løsnes og ændres, når HMT370EX får strøm. Al anden vedligeholdelse på stedet, inklusive udskiftning af sondehovedfilter, er ikke tilladt.

### 4.1 Klargøring til installation

Før der påbegyndes installation, skal der kontrolleres følgende:

- Sørg for, at installationsstedet passer til Ex-klassifikationen for senderen: se [Tabel 71 \(side 252\)](#).
- Gennemgå oplysningerne om farligt område i [Retningslinjer for sikker brug under eksplosionsfarlige forhold \(side 254\)](#) for at få yderligere oplysninger om Ex-sikkerhedskrav relateret til HMT370EX og specifikke anvendelsesbetingelser.
- Gennemgå ledningsdiagrammerne i dette dokument for at få oplysninger om ledninger ved hjælp af enten en galvanisk isolator eller en Zener-barriere.
  - [Ledningsføring med galvaniske isolatorer \(side 265\)](#)
  - [Ledningsføring med Zener-barrierer \(side 266\)](#)
- Når du vælger kabeltætninger og propper, skal du sikre dig, at de er Ex-kompatible. Forskrninger og propper skal være vand- og støvtætte.

#### Ledningsoplysninger



**ADVARSEL** Beskyttet installation ved hjælp af galvaniske isolatorer eller Zener-barrierer er obligatorisk i et farligt miljø.



**FORSIGTIG** Når du planlægger ledningsføringen til din applikation, skal du være opmærksom på, at kanal 1 (CH1) altid skal være kablet. Senderen modtager strøm gennem kanal 1-skrueklemmerne og tænder ikke, hvis kun kanal 2 (CH2) er tilsluttet.



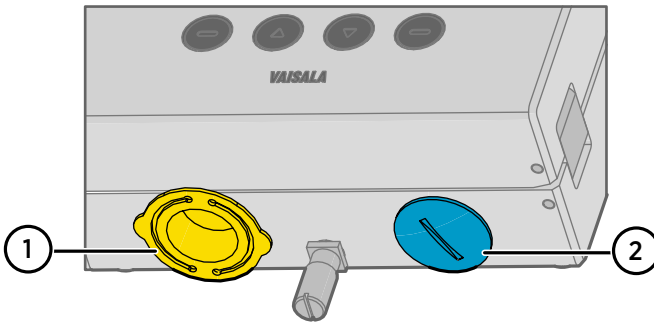
**FORSIGTIG** Sørg for, at senderen er tændt korrekt. 12 VDC er minimumsspændingen under alle forhold målt ved senderens skrueklemmer. Hvis forsyningsspændingen er mindre end 12 VDC, kan den analoge udgangsstrøm være fejlagtig.



Det anbefales at bruge samlinger på de afisolerede ledninger for at sikre en sikker forbindelse med skrueklemmerne.

### Valg af gennemgangsstykke og standardstik

HMT370EX leveres med 2 forskellige stiktyper på senderens gennemgangsstykker, som vist i [Figur 87 \(side 261\)](#).



Figur 87 Standardstik i HMT370EX-gennemgangsstykker

- 1 Aftageligt transportdækslet af plast: Skal udskiftes (fold siderne af transportdækslet sammen, og træk det ud)
- 2 Metalforseglingsstik: Kan bruges i den endelige installation

Transportdækslet af plast (1) skal altid udskiftes med en Ex-kompatibel kabelforskrunding, ledning eller tætning, når HMT370EX. tilsluttes. Metalforseglingsstikket (2) kan efterlades på plads og bruges i den endelige installation, hvis det højre gennemgangsstykke ikke bruges. Se mulighederne for kabelforskrunding og ledning *HMT370EX User Guide*.

## 4.2 Installation af HMT370EX



- Skruer til montering af senderen:
  - Installation direkte gennem senderlegemet: 2 stk. Ø 5,5 mm skruer
  - Installation med monteringsplade (ekstraudstyr): 4 stk. Ø 5,5 mm skruer og 2 stk. M6 unbrakoskruer
- Stjerneskrueetrækker til indvendige skruer til senderdæksel og ledningsskrueklemmer
- Flad skrueetrækker til jordforbindelsen
- Kabelforskrutninger, ledninger og stik som krævet i din applikation og egnede værktøjer til fastgørelse og opstramning
- Trådskeerangstang

### Valgfrit:

- Krympeværktøj og samlinger til ledninger
- Unbrakonøgle (5 mm) til sondelegemets låsehjul
- Ex-kompatibelt multimeter til test af analoge udgange



Trin 1... 7 henviser til illustrationerne 1... 7 på illustrationssiderne **3** og **4** i begyndelsen af dokumentet.

- ▶ 1. Vælg en overflade (for eksempel en væg) til installation af senderen. Du kan montere senderen direkte på installationsoverfladen med to skruer eller bruge en valgfri monteringsplade, der fastgøres på bagsiden af senderen.
  - a. Installation uden monteringsplade: Fastgør senderlegemet direkte til installationsoverfladen med to Ø 5,5 mm skruer. Det venstre skruehul har ekstra lodret plads til at justere senderens position, når du har fastgjort den højre skrue.
  - b. Installation med monteringsplade: Fastgør monteringspladen til installationsoverfladen med fire Ø 5,5 mm skruer, og fastgør derefter senderen til monteringspladen med to M6-unbrakoskruer.
2. Fastgør kabelforskrutningerne (1 eller 2) til ledningsgennemgangsstykker som krævet i din applikation. Bemærk kravene til kabelforskrutning, der er anført i [Specifikke anvendelsesbetingelser \(side 255\)](#).
  - Begge gennemgangsstykker har M20x1,5-tråde.
  - Tilslut mulige ubrugte gennemgangsstykker med Ex-kompatible tætninger.
  - Forskrutninger og propper skal være vand- og støvtætte.

3. Forbered kablerne som krævet i din applikation (kabler enten gennem 1 eller 2 gennemgangsstykker).
  - a. Fjern kabeltrådene: Det anbefales at fastgøre samleringene til ledningernes kontaktender.
  - b. Åbn kabelforskrningen, og indsæt en passende længde af kablet inde i senderen gennem kabelforskrningen.
  - c. Stram kabelforskrningen: Se instruktionerne til de forskruninger, der bruges i din applikation, for at få maksimal tæthed.
  - d. Hvis din installation ikke kræver brug af begge gennemgangsstykker, skal du tilslutte det ubrugte gennemgangsstykke med en Ex-kompatibel tætning.
4. Tilslut ledningsnettet til skrueklemmen som krævet i din applikation. Se ledningsdiagrammer for beskyttet installation [Ledningsføring med galvaniske isolatorer \(side 265\)](#) og [Ledningsføring med Zener-barrierer \(side 266\)](#).
  - a. Åbn kabelfastgørelsesklemmerne under skrueklemmerne, og før kablerne til skrueklemmerne gennem klemmerne.
  - b. Tilslut ledningerne til skrueklemmerne.



Bemærk, at kanal 1 (CH1) altid skal være tilsluttet. Senderen modtager strøm gennem CH1-skrueterminalerne og tænder ikke, hvis kun kanal 2 (CH2) er tilsluttet.

- c. Juster ledningernes længde, og luk kabelfastgørelsesklemmerne, så de holder kablerne på plads.

**Valgfrit:** For instruktioner om test af det analoge outputniveau med et multimeter henvises der til [trin 8](#).

5. Luk senderlegemets dæksel, og stram de indvendige skruer, og fastgør derefter sondelegemet til senderen.



Det er tilstrækkeligt at stramme sondelegemet med fingrene til låsehjulet. For at forhindre afmontering af sondelegemet uden værktøj kan du stramme låsehjulet yderligere med en unbrakonøgle (5 mm).

6. Monter sondehovedet til det område, du vil måle i.



HMT370EX-serien er designet til en række applikationer med forskellige installationskrav. For sondespecifikke installationsinstruktioner henvises der til *HMT370EX User Guide*.

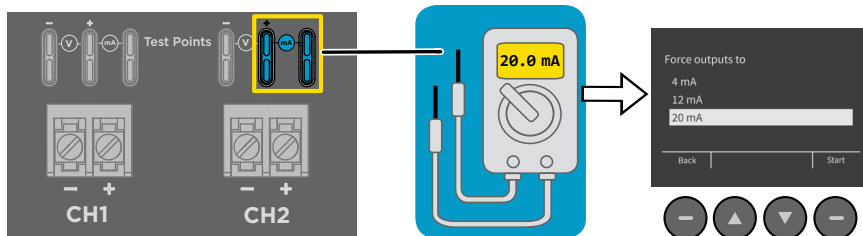
7. Forbind jordforbindelsesterminalen i bunden af senderen til jordingselementet på installationsstedet med en 4 mm<sup>2</sup> jordforbindelse. Efter jordforbindelse til senderen skal du tænde for strømforsyningen.

8. **Valgfrit:** Hvis du vil kontrollere outputniveauet for de analoge udgangskanaler, skal du teste forbindelsen som følger:
- Fjern sondelegemet, og åbn senderdækslet.
  - Tilslut et multimeter til mA-testpunkterne placeret over udgangsskrueklemmerne på senderens komponentkort (se illustrationssiden **2** i begyndelsen af dokumentet for placering af klemmerne).



Brug altid et Ex-kompatibelt multimeter. Multimeterets outputparametre skal være kompatible med senderens inputparametre.

- Start outputtesttilstanden enten ved hjælp af senderens skærmgrænseflade eller, hvis du bruger en sender uden skærm, ved at slutte senderen til Insight PC-software. Se instruktioner om brug af outputtesttilstanden med skærmgrænsefladen og Insight pc-software i *HMT370EX User Guide*.
- Efter at have bekræftet outputtet skal du fjerne multimeteret, lukke senderens dæksel og sætte sondelegemet på igen.



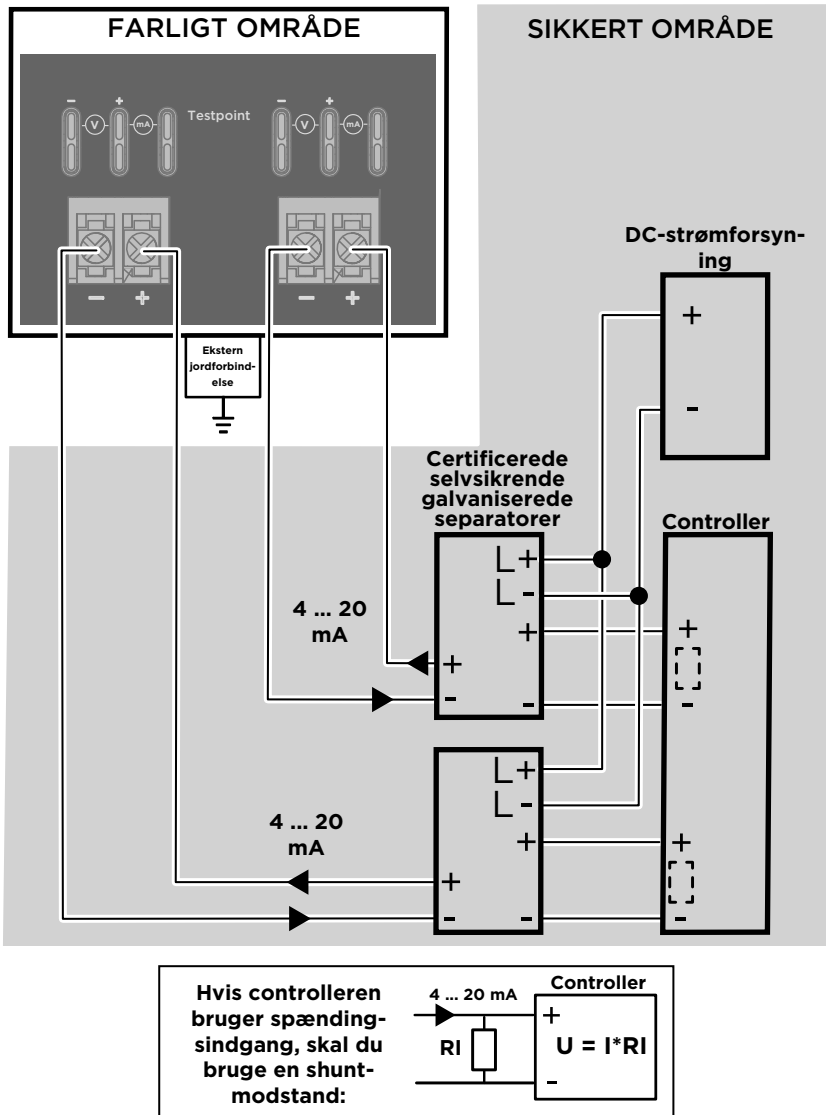
Figur 88 Oversigt over testpunkter for multimeter



**FORSIGTIG** Serviceporten (se [Figur 86 \(side 257\)](#)) må kun bruges i et sikkert område. Fjern enten senderen fra det farlige område, eller sørg for, at der er implementeret en sikker arbejdsprocedure i det farlige område. Brug kun Vaisala-pc'ens tilslutningskabel sammen med serviceporten.

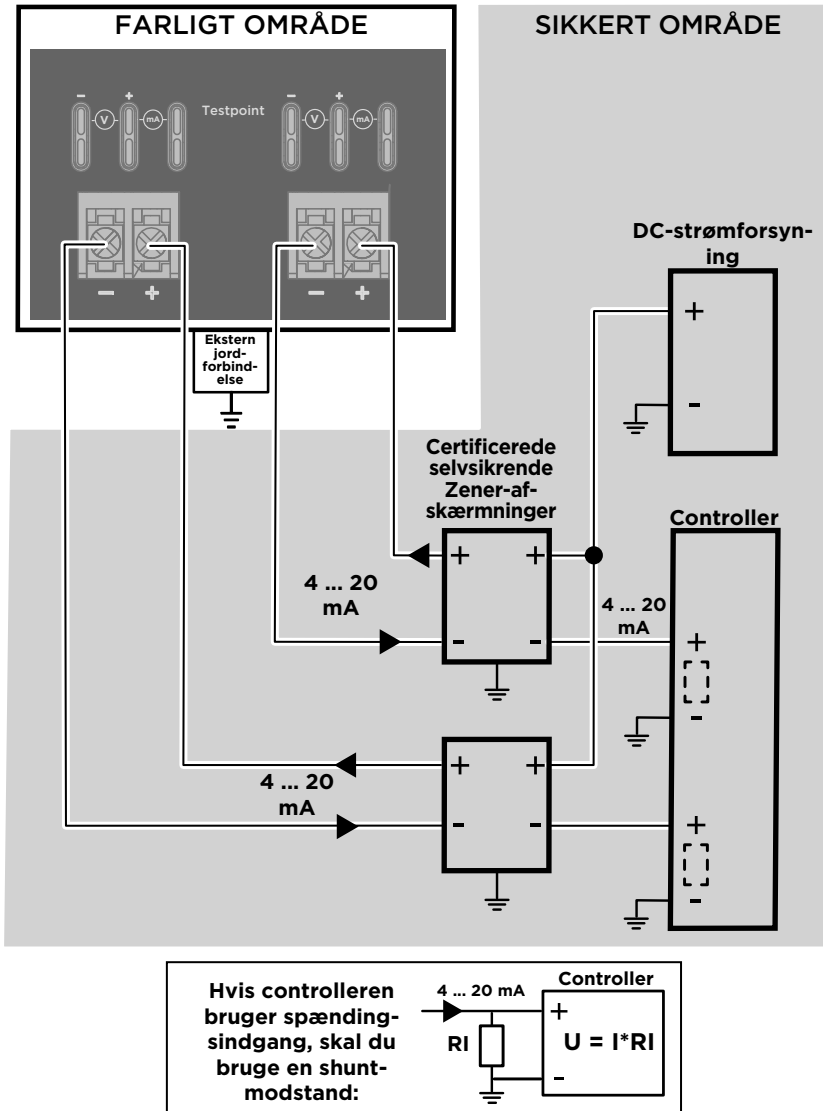


### 4.3 Ledningsføring med galvaniske isolatorer



Figur 89 Ledningsdiagram med galvaniske isolatorer

## 4.4 Ledningsføring med Zener-barrierer



Figur 90 Ledningsdiagram med Zener-barrierer

## Vedligeholdelses- og kalibreringstjenester



Vaisala tilbyder kunderne en omfattende service på måleinstrumenter og systemer i hele deres levetid. Vores fabrikstjenester leveres over hele verden med hurtige leverancer. Få flere oplysninger på [www.vaisala.com/calibration](http://www.vaisala.com/calibration).

- Vaisalas onlinebutik på [store.vaisala.com](http://store.vaisala.com) er tilgængelig i de fleste lande. Du kan gennemse udbuddet efter produktmodel og bestille det ønskede tilbehør, reservedele eller vedligeholdelses- og kalibreringstjenester.
- Du kan kontakte din lokale vedligeholdelses- og kalibreringseksperter på [www.vaisala.com/contactus](http://www.vaisala.com/contactus).

## Garanti

Standardgarantibetingelser kan læses på [www.vaisala.com/warranty](http://www.vaisala.com/warranty).

Vær opmærksom på, at en sådan garanti muligvis ikke er gyldig i tilfælde af skader på grund af normalt slid, ekstraordinære driftsforhold, forsømmelig håndtering eller installation eller uautoriserede ændringer. Se den relevante leveringsaftale eller salgsbetingelserne for at få detaljerede oplysninger om garantien for hvert enkelt produkt.

## Teknisk support



Kontakt Vaisala teknisk support på [helpdesk@vaisala.com](mailto:helpdesk@vaisala.com). Opgiv som minimum følgende understøttende oplysninger alt efter relevans:

- Produktnavn, model og serienummer
- Version af software/firmware
- Navn og adresse på installationssted
- Navn og kontaktoplysninger til en teknisk kyndig person, der kan give yderligere oplysninger om problemet

Yderligere oplysninger kan findes i [www.vaisala.com/support](http://www.vaisala.com/support).

## Genbrug



Genbrug alle relevante materialer.



Følg de lovbestemte regler for bortskaffelse af produktet og emballagen.





**VAISALA**

[www.vaisala.com](http://www.vaisala.com)

