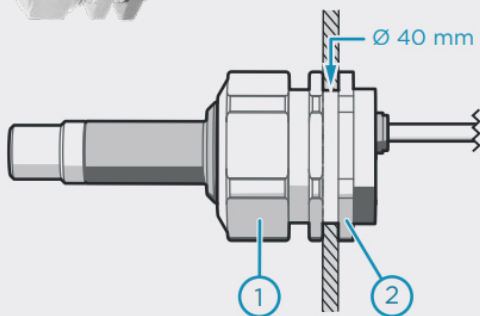


## HPP270 Vaporized Hydrogen Peroxide Probe Accessories

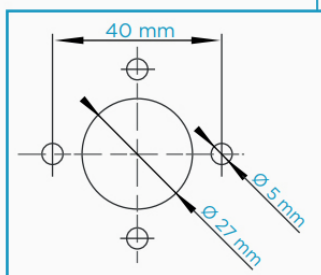
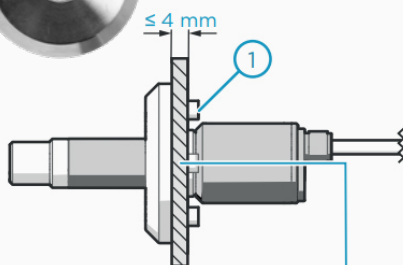


- 1 Nut for tightening the probe in place
- 2 Nut for mounting the gland

### Through-wall Gland Mounting Set

**PART NUMBER:** HPP271MOUNTINGSET1

**COMPATIBLE WITH:** HPP271

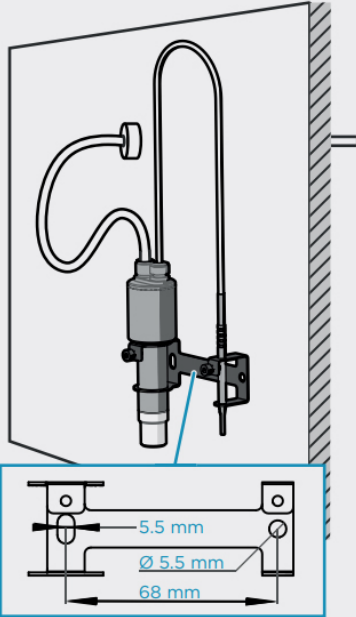
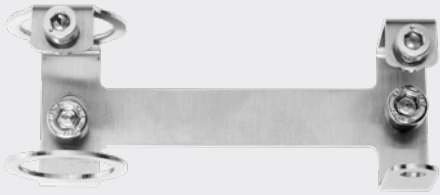


- 1 Screws for tightening the flange in place (4 pcs,  $\varnothing$  5 mm)

### Through-wall Mounting Flange Kit

**PART NUMBER:** HPP271MOUNTINGSET2

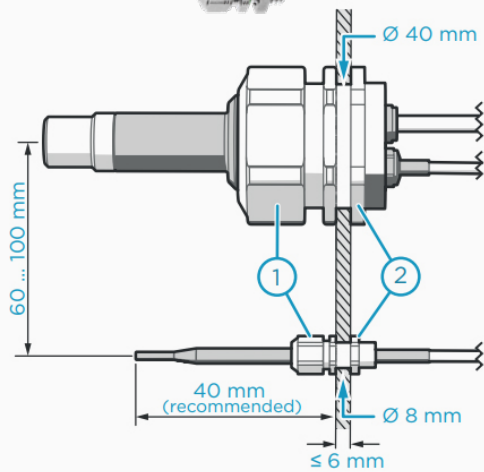
**COMPATIBLE WITH:** HPP271



## Wall Mounting Bracket

**PART NUMBER:** HPP272WALLMOUNT

**COMPATIBLE WITH:** HPP271 and HPP272

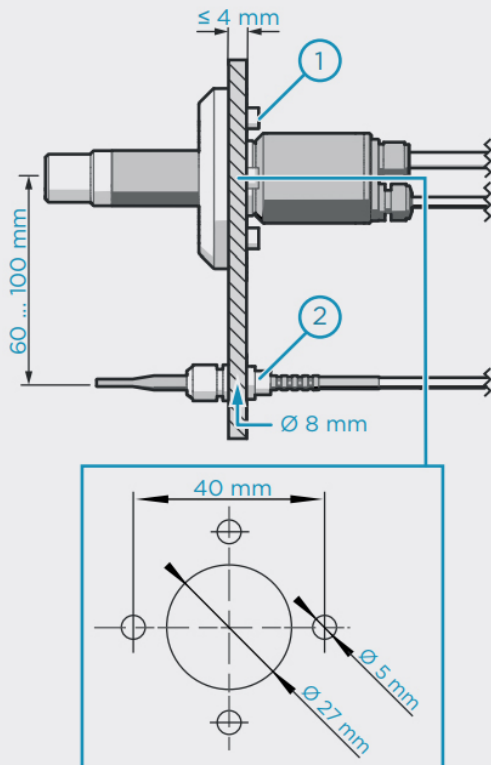


- 1 Nut for tightening the probe in place
- 2 Nut for mounting the gland

## Through-wall Gland Mounting Set

**PART NUMBER:** HPP272MOUNTINGSET1

**COMPATIBLE WITH:** HPP272



- 1 Screws for tightening the flange in place (4 pcs, Ø 5 mm)
- 2 Nut for mounting the gland

## Through-wall Mounting Flange Kit

**PART NUMBER:** HPP272MOUNTINGSET2

**COMPATIBLE WITH:** HPP272



## Output Cables

5-pin M12 female on one end, open leads on the other end to connect directly to power supply and data acquisition system

### **PART NUMBERS:**

- 1.5m (254294SP)
- 3m (254295SP)
- 5m (254296SP)
- 10m (254297SP)

**COMPATIBLE WITH:** HPP271 and HPP272



### Indigo Transmitter Connection Cables

5-pin M12 female to 5-pin M12 male to connect HPP270 probe to INDIGO transmitter/display

**PART NUMBERS:**

- 1.5m (INDIGOCABLEHD1M5)
- 3m (INDIGOCABLEHD3M)
- 5m (INDIGOCABLEHD5M)
- 10m (INDIGOCABLEHD10M)

**COMPATIBLE WITH:** HPP271 and HPP272



### Flat cable

5-pin M12 female to 5-pin M12 male for through-door installation

**PART NUMBER:** CBL210493SP

**COMPATIBLE WITH:** HPP271 and HPP272



### USB Connection Cable

to connect to [Insight PC Software](#)  
(not for permanent use)

**PART NUMBERS:** USB2 or 242659

**COMPATIBLE WITH:** HPP271 and HPP272



### **Porous PTFE filter**

**PART NUMBER:** DRW246363SP

**COMPATIBLE WITH:** HPP271 and HPP272

**VAISALA**

Please contact us at  
[www.vaisala.com/contactus](http://www.vaisala.com/contactus)

[www.vaisala.com](http://www.vaisala.com)



Scan the code for  
more information

Ref. B212311EN-B ©Vaisala 2021

This material is subject to copyright protection, with all copyrights retained by Vaisala and its individual partners. All rights reserved. Any logos and/or product names are trademarks of Vaisala or its individual partners. The reproduction, transfer, distribution or storage of information contained in this brochure in any form without the prior written consent of Vaisala is strictly prohibited. All specifications — technical included — are subject to change without notice.