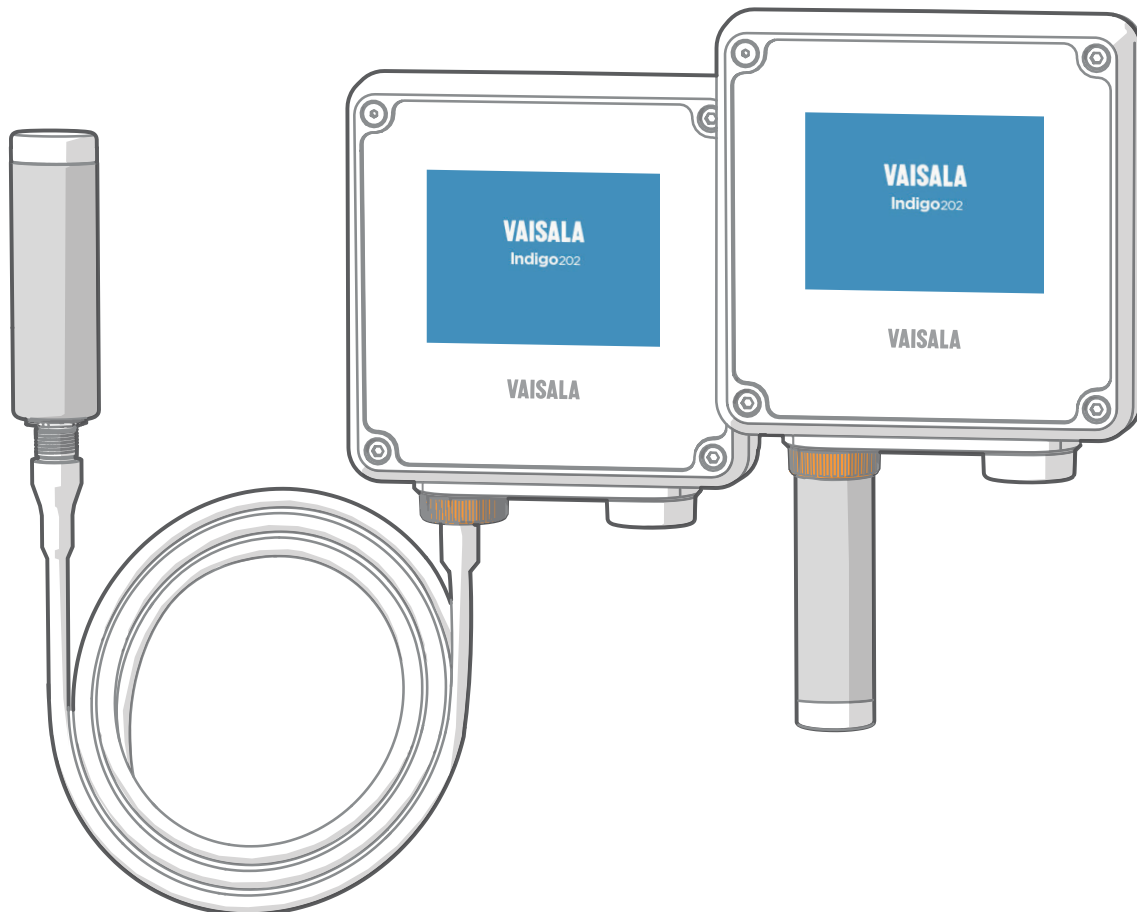


Quick Guide

Digital Transmitter
Indigo 202



VAISALA

PUBLISHED BY

Vaisala Oyj
Vanha Nurmijärventie 21, FI-01670 Vantaa, Finland
P.O. Box 26, FI-00421 Helsinki, Finland
+358 9 8949 1

Visit our Internet pages at www.vaisala.com.

No part of this manual may be reproduced, published or publicly displayed in any form or by any means, electronic or mechanical (including photocopying), nor may its contents be modified, translated, adapted, sold or disclosed to a third party without prior written permission of the copyright holder. Translated manuals and translated portions of multilingual documents are based on the original English versions. In ambiguous cases, the English versions are applicable, not the translations.

The contents of this manual are subject to change without prior notice.

Local rules and regulations may vary and they shall take precedence over the information contained in this manual. Vaisala makes no representations on this manual's compliance with the local rules and regulations applicable at any given time, and hereby disclaims any and all responsibilities related thereto.

This manual does not create any legally binding obligations for Vaisala towards customers or end users. All legally binding obligations and

agreements are included exclusively in the applicable supply contract or the General Conditions of Sale and General Conditions of Service of Vaisala.

This product contains software developed by Vaisala or third parties. Use of the software is governed by license terms and conditions included in the applicable supply contract or, in the absence of separate license terms and conditions, by the General License Conditions of Vaisala Group.

This product may contain open source software (OSS) components. In the event this product contains OSS components, then such OSS is governed by the terms and conditions of the applicable OSS licenses, and you are bound by the terms and conditions of such licenses in connection with your use and distribution of the OSS in this product. Applicable OSS licenses are included in the product itself or provided to you on any other applicable media, depending on each individual product and the product items delivered to you.

Table of Contents

English.....	5
Español.....	15
日本語.....	27
中文.....	37
EU Declaration of Conformity.....	48

1 Indigo 202 Quick Guide

1.1 Introduction to Indigo Transmitters



Figure 1 Probe Connection Options and Wireless Interface Examples (GMP251 Example)

Vaisala Indigo transmitters are a plug-and-play host device platform for Vaisala Indigo-compatible probes. Indigo transmitters extend the feature set of connected probes with a range of additional options for outputs, measurement viewing, status monitoring, and configuration interface access.

Indigo-compatible probes can be connected either directly on the transmitter body or using a probe cable. The configuration interface of Indigo transmitters is a browser-based wireless UI that requires a mobile device or computer that supports wireless connectivity (IEEE 802.11 b/g/n WLAN).

1.1.1 Indigo 202 Basic Features and Options

- All Vaisala Indigo-compatible probes can be connected to all Indigo transmitter models
- Wireless configuration interface: connect to the scalable browser-based UI of Indigo 202 to change probe and transmitter settings, view measurements, and review probe and transmitter status
- 3.5" TFT LCD color display
- Power supply input 15 ... 30 VDC (24 VAC +/-10% 50/60Hz)
- Digital output: RS-485 Modbus RTU
- 2 configurable relays
- 1 m, 3 m, 5 m and 10 m probe connection cables available as accessories

1.2 Input and Output Specification

Table 1 Inputs and Outputs

Property	Specification
Digital output	RS-485 Modbus RTU
Relays	2 configurable relays (VAC/VDC)
	Device maximum specification (resistive load): <ul style="list-style-type: none"> • Max. switching power 30 W / 37.5 VA
	UL-rated maximum specification (resistive load): <ul style="list-style-type: none"> • AC: max. 28 V / 0.5 A • DC: max. 40 V / 0.24 A • Up to 30 VDC: <ul style="list-style-type: none"> • max. switching current 1 A • max. switching power 30 W
Power supply input ¹⁾	15 ... 30 VDC (24 VAC +/-10% 50/60Hz)
Maximum current	Transmitter and connected probe max. 1 A
Power consumption	Transmitter max. 3 W (+ connected probe, varies depending on probe type)
Probe connector	M12/5 connector for probe or probe cable connection (Vaisala Indigo-compatible probes)
Cable feed throughs	2 options: rubber lead-through on the bottom of the transmitter, and opening with a seal at the back of the transmitter
Screw terminal wire size	0.2 ... 1.5 mm ²

1) Using a power supply with overload protection is recommended for electrical safety.



CAUTION! Do not modify the unit or use it in ways not described in the documentation. Improper modification may lead to safety hazards, equipment damage, failure to perform according to specification, or decreased equipment lifetime.

1.3 Indigo Transmitter Parts

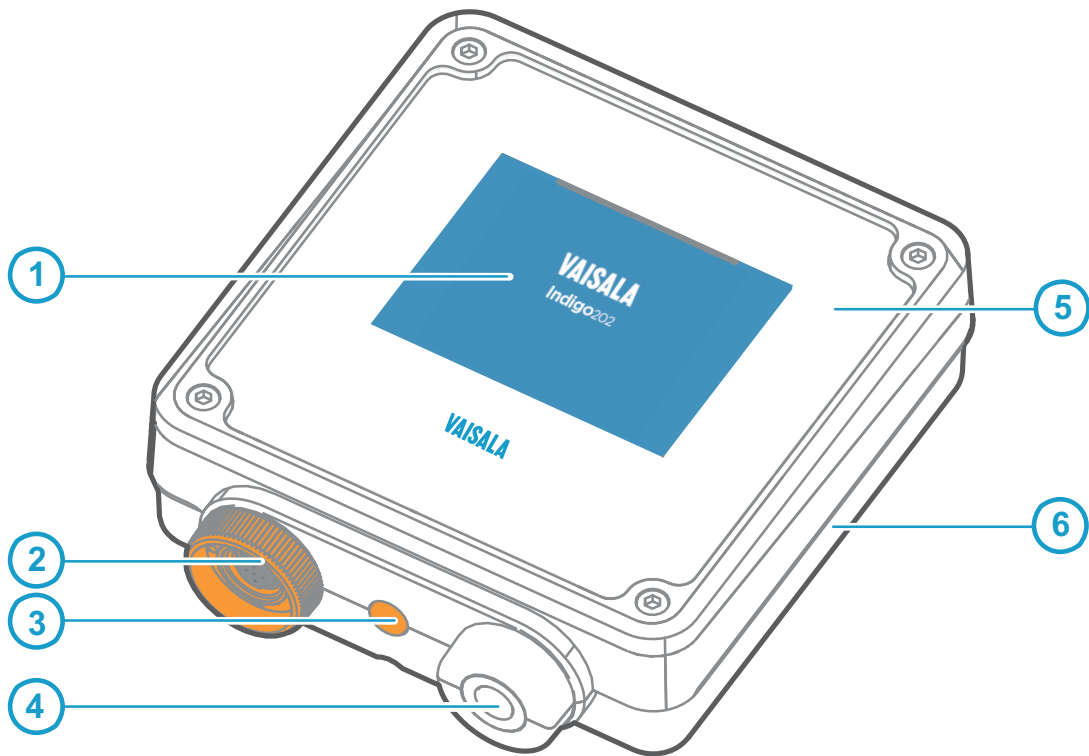


Figure 2 Indigo Transmitter Parts

- 1 Display
- 2 Probe and probe cable connector, locking wheel
- 3 Wireless (WLAN) configuration interface activation button
- 4 Rubber lead-through with strain relief for input/output cable
- 5 Top cover of the transmitter: display, circuit board and connector pins
- 6 Transmitter base: input and output wiring (screw terminals), mounting base



CAUTION! Only use Vaisala Indigo-compatible probes with the transmitter. Attempting to connect incompatible probes or probe cables can damage the equipment.

1.4 Wiring Options

You can wire an input/output cable either through the opening on the back of the transmitter, or through the rubber lead-through on the bottom of the transmitter.

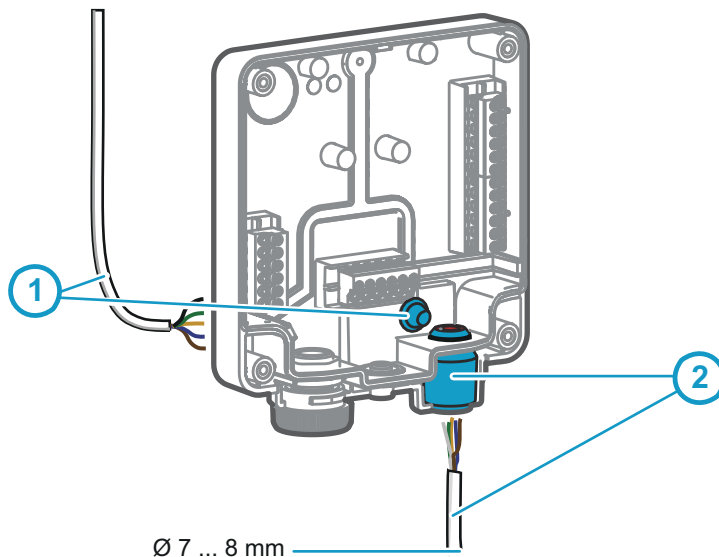


Figure 3 Indigo Wiring Options

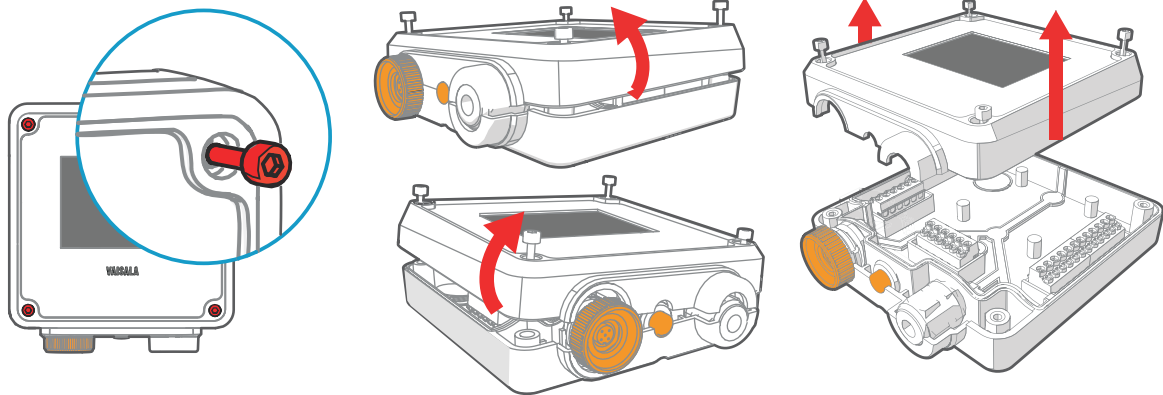
- 1 Wiring from the back: cut the seal open
- 2 Wiring through the rubber lead-through on the bottom of the transmitter

- ▶ 1. To wire the input/output cable through the back of the transmitter:
 - a. Cut off as much of the seal as is needed to fit your cable through the opening.
 - b. Lead the cable through the opening and attach a strain relief as needed.
 - c. If you wire only through the back, plug or seal the lead-through on the bottom.
- 2. To wire the input/output cable through the rubber lead-through on the bottom:
 - a. Push the input/output cable through the lead-through.
 - b. The lead-through provides strain relief and holds the cable in place. Tightening is not required.



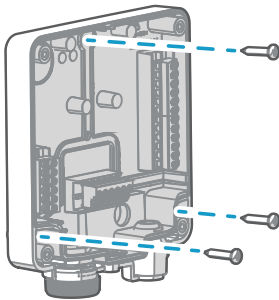
The recommended cable diameter for wiring through the rubber lead-through is 7 ... 8 mm. If you use a different cable size, test that the strain relief works as intended.

1.5 Opening and Mounting



CAUTION! To avoid damaging the connector pins of the transmitter, pull the transmitter cover off the base in a straight angle. Do not twist or bend.

- ▶ 1. Loosen the 4 screws on the transmitter cover.
2. Carefully open the transmitter cover part of the way from both sides so it is easier to pull the cover off the base.
3. Pull the transmitter cover off the base in a straight angle. Do not twist or bend.
4. Place the transmitter base on the installation surface and mount it with 3 screws. See the screw positions in [Figure 4 \(page 10\)](#).



5. Lead the input/output cable inside the transmitter (see [Wiring Options \(page 8\)](#)). If you are wiring through the lead-through on the bottom of the transmitter, test that the strain relief works with your cable.
6. Connect the input/output cable's wiring to the screw terminals (see [Indigo Transmitter Base \(page 10\)](#)) and reattach the cover when done.

1.6 Indigo Transmitter Base

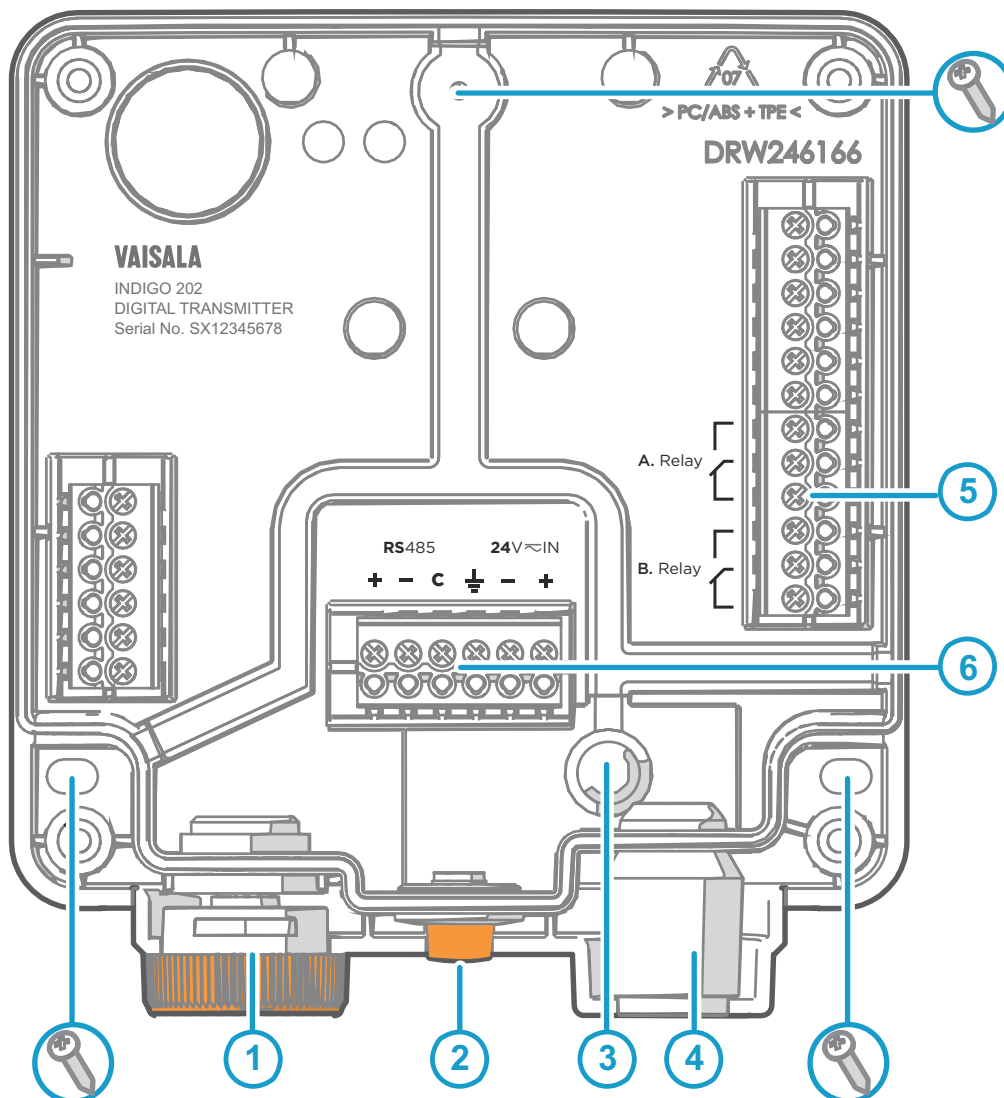


Figure 4 Indigo 202 Transmitter Base Main Parts and Screw Positions

- 1 Probe and probe cable connector inside the locking wheel
- 2 Wireless (WLAN) configuration interface activation button
- 3 Wiring from the back: cut open the seal
- 4 Rubber cable lead-through with strain relief
- 5 Screw terminals for relays A and B
- 6 Screw terminals for 24 V power supply input and RS-485 (Modbus) connection



CAUTION! Do not energize the power supply before the wiring has been connected.

1.7 Attaching Probes and Cables

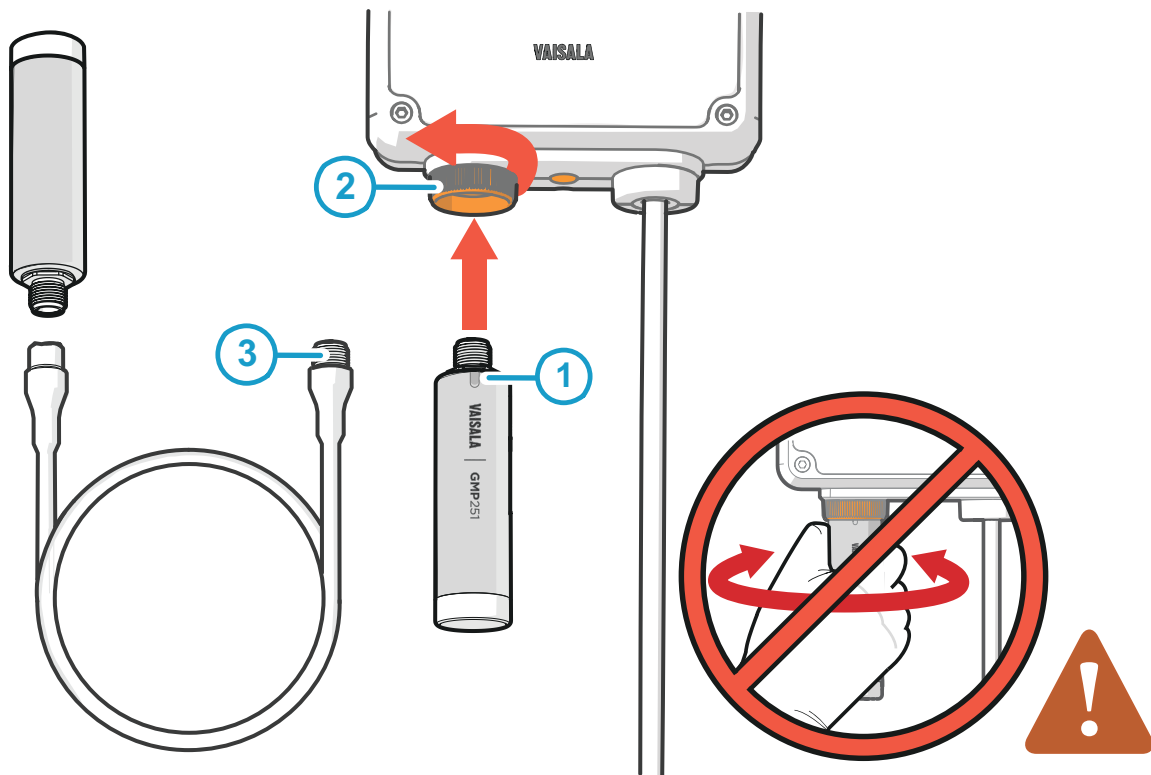


Figure 5 Attaching Probes and Cables to Indigo

- 1 Insert probes into the probe connector with the orientation mark facing out.
- 2 Probes are locked in place with the locking wheel. **Never turn from the probe body.**
- 3 Connect probe cables in the same way as probes: insert the cable in the connector and hold in place while turning the locking wheel.



Check the connection instructions in your probe's documentation. Certain probes can only be connected using a cable.

- ▶ 1. Insert the probe into the probe connector with the orientation mark on the probe body facing out.
2. Hold the probe in the probe connector and lock it in place by turning the locking wheel counterclockwise. Do not turn the probe body when attaching, only the locking wheel on the transmitter.
3. When the transmitter recognizes the connected probe, it shows a notification message on the display (for example, **Probe Connected: GMP251**).

1.8 Connecting to Wireless Configuration Interface

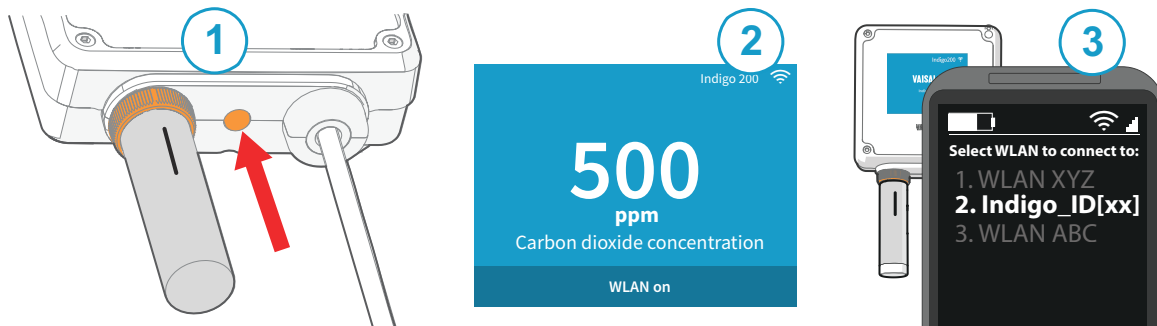


Figure 6 Enabling and Accessing Indigo's Wireless Configuration Interface

- 1 Wireless connection activation button
- 2 Wireless connection indicator (WLAN symbol) on the Indigo display
- 3 Choose Indigo (**Indigo_ID[xx]**) from your wireless device's list of available connections

To connect to the wireless configuration interface:

- ▶ 1. Press the wireless connection activation button on the bottom of the transmitter.
2. When the wireless configuration interface becomes available, the Indigo display shows a connection notification. In the Indigo models with an LED indicator, the LED blinks green when the connection is active.
3. Open the wireless connection menu in your mobile device or computer and select **Indigo_ID[xx]** (transmitter-specific SSID) from the list of available connections.
4. Depending on your device, the wireless configuration interface either launches automatically in your browser after you connect to Indigo, or you may need to start your browser application manually.
5. When you open the Indigo interface in your browser, you are prompted to log in.



Only one device can be connected to the wireless configuration interface at a time.



For more information and troubleshooting instructions on accessing Indigo 202 wireless configuration interface, see *Indigo 202 User Guide*.

1.9 Logging in to Wireless Configuration Interface

When you open Indigo's wireless configuration interface in your browser, you are prompted to log in. There are 2 available user levels:

- **User:** view-only access available for all users. Does not require a password.
- **Admin:** password-protected access. To change settings, you must log in as admin.

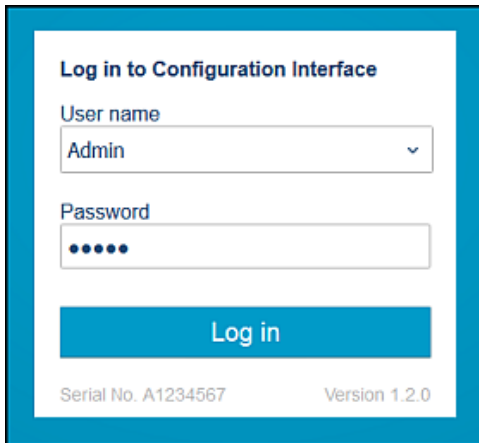


Figure 7 Indigo Login View

To log in:

- ▶ 1. Enter the user name and password:
 - a. To log in as user (view-only access, no configuration rights), select **User** from the **User name** dropdown. Leave the **Password** field empty.
 - b. To log in as admin (required for configuration), select **Admin** in the **User name** dropdown and type the admin password (default: **12345**) in the **Password** field.
2. Select **Log in** after entering the login credentials. The wireless configuration interface opens in the **Measurements** view.



The user level (**User** or **Admin**) is shown in the upper right corner of all menu views. Select the user/admin icon in the upper right corner to change the user level.

1.10 Wireless Interface Menus

Indigo transmitters are configured using a wireless browser-based configuration interface (requires a mobile device or computer with IEEE 802.11 b/g/n WLAN wireless connectivity). In addition to probe and transmitter configuration and calibration, you can also use the wireless interface to view measurement data and status information.

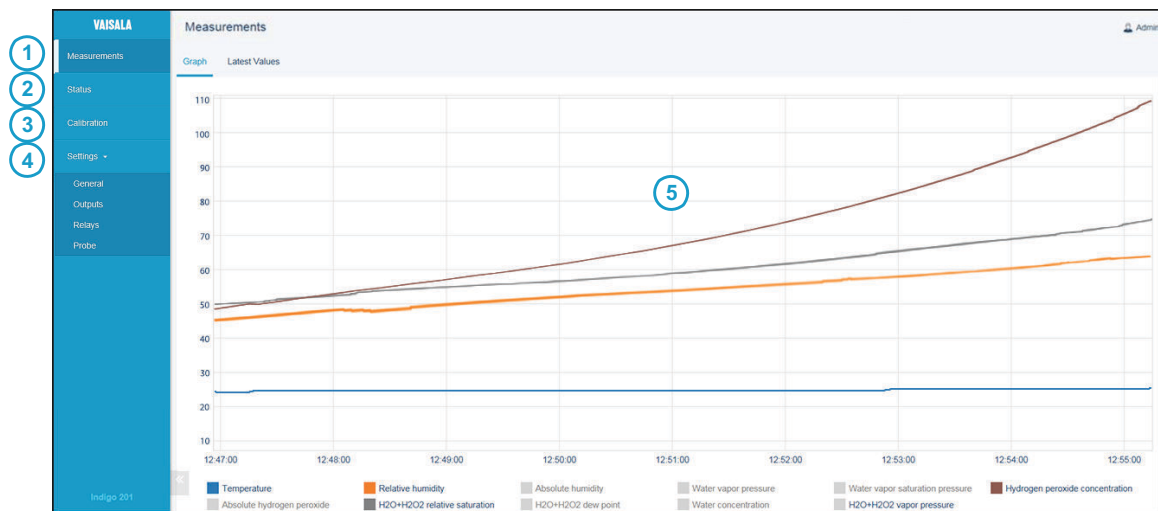


Figure 8 Wireless Configuration Interface, Desktop Browser View

- 1 **Measurements:** displays the measurement data of the connected probe
- 2 **Status:** contains information about the status of Indigo and the connected probe (for example, notifications and alarms)
- 3 **Calibration:** calibrate and adjust probes using references. Available options (for example, adjustment points) vary depending on the probe model.
- 4 **Settings:** contains options for configuring the connection and display settings, outputs, relays, probe-specific settings, and general device preferences
 - **General** submenu: device information and general settings, wireless connection and display settings
 - **Outputs** submenu: Modbus serial communication settings
 - **Relays** submenu: settings for controlling relays A and B
 - **Probe** submenu: probe-specific settings such as environmental compensations and filtering factor
- 5 Main display area for menus and measurement information (desktop browser example)



You must be logged in as **Admin** to change settings with the wireless configuration interface. Logging in as **User** gives view-only access.

1 Guía rápida Indigo 202

1.1 Introducción a Indigo



Figura 9 Opciones de conexión de sonda y ejemplos de interfaz inalámbrica

Los transmisores Vaisala Indigo son una plataforma de dispositivo host de instalación automática para sondas compatibles con Vaisala Indigo. Los transmisores Indigo amplían el conjunto de características de las sondas conectadas con un rango de opciones adicionales para salidas, visualización de mediciones, monitoreo del estado y acceso a la interfaz de configuración.

Las sondas compatibles con Indigo se pueden conectar directamente en el cuerpo del transmisor o mediante un cable de sonda. La interfaz de configuración de los transmisores Indigo es una interfaz de usuario inalámbrica basada en navegador que requiere un dispositivo móvil o una computadora que admita conectividad inalámbrica (IEEE 802.11 b/g/n WLAN).

1.1.1 Características y opciones básicas de Indigo 202

- Todas las sondas compatibles con Vaisala Indigo se pueden conectar a todos los modelos de transmisor Indigo
- Interfaz de configuración inalámbrica: conéctese a la interfaz de usuario escalable basada en navegador de Indigo 202 para cambiar la configuración de la sonda y el transmisor, ver las mediciones y revisar el estado de la sonda y el transmisor
- Pantalla a color LCD TFT de 3,5 "
- Entrada del sistema de alimentación 15 a 30 VCC (24 VCA +/-10% 50/60Hz)
- Salida digital: RS-485 Modbus RTU
- 2 relés configurables
- Cables de conexión de sonda de 1 m, 3 m, 5 m y 10 m disponibles como accesorios

1.2 Especificación de entrada y salida

Tabla 2 Entradas y salidas

Propiedad	Especificación
Salida digital	RS-485 Modbus RTU
Relés	2 relés configurables (VCA/VCC)
	Especificación máxima del dispositivo (carga resistiva): <ul style="list-style-type: none"> Alimentación de conmutación máx. de 30 W/37,5 VA
	Especificación máxima de UL (carga resistiva): <ul style="list-style-type: none"> CA: máximo 28 V/0,5 A CC: máximo 40 V/0,24 A Hasta 30 VCC: <ul style="list-style-type: none"> corriente de conmutación máx. de 1 A alimentación de conmutación máx. de 30 W
Entrada del suministro de energía ¹⁾	15 ... 30 VCC (24 VCA +/-10% 50/60Hz)
Corriente máxima	Transmisor y sonda conectados máx. de 1 A
Consumo de energía	Transmisor máx. de 3 W (+ sonda conectada, varía según el tipo de sonda)
Conector de la sonda	Conector M12/5 para la sonda o el cable de conexión de la sonda (sondas compatibles con Vaisala Indigo)
Cable de alimentación directa	2 opciones: paso de goma en la parte inferior del transmisor y apertura con un sello en la parte posterior del transmisor
Tamaño del cable del terminal roscado	0.2 ... 1,5 mm ²

¹⁾ Se recomienda el uso de un sistema de alimentación con protección de sobrecarga para la seguridad eléctrica.



PRECAUCIÓN No modifique la unidad y no la utilice de ninguna manera que no esté descrita en la documentación. Una modificación inadecuada puede provocar peligros de seguridad, dañar el equipo, impedir el funcionamiento de acuerdo con la especificación o reducir la duración del equipo.

1.3 Piezas del transmisor Indigo

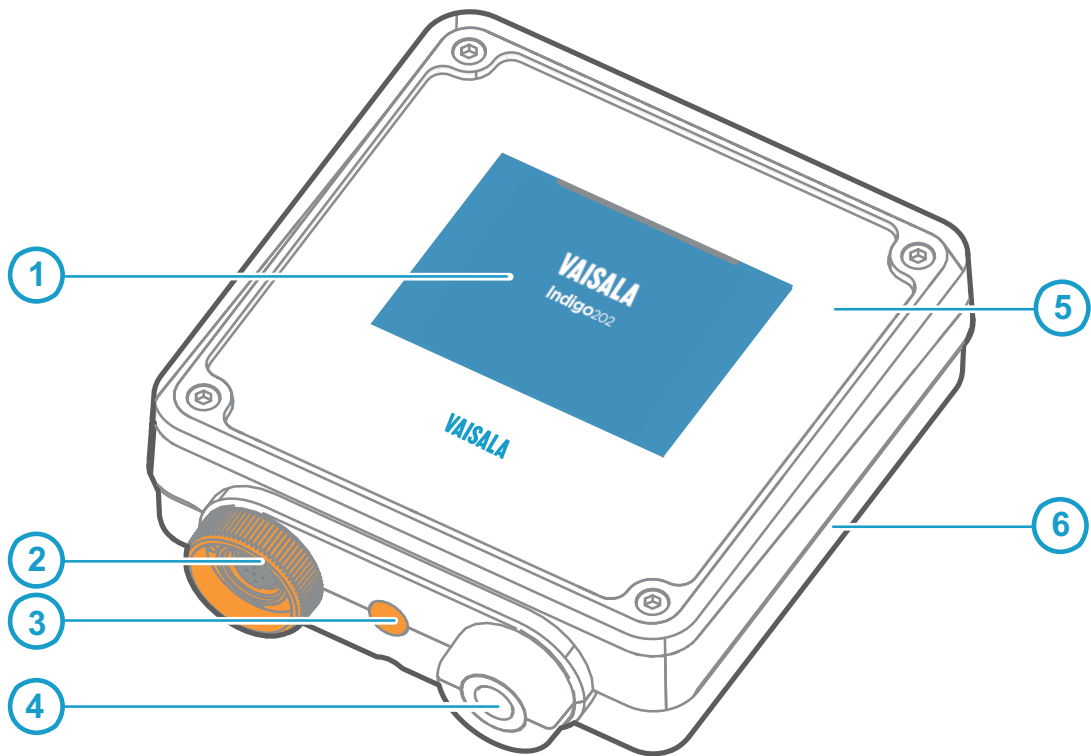


Figura 10 Piezas del transmisor Indigo

- 1 Mostrar
- 2 Conector del cable de sonda y sonda, rueda de bloqueo
- 3 Botón de activación de la interfaz de configuración inalámbrica (WLAN)
- 4 Conexión pasante de goma con pasamuros para cable de entrada/salida
- 5 Cubierta superior del transmisor: pantalla, placa de circuito y clavijas del conector
- 6 Base del transmisor: cableado de entrada y salida (terminales de tornillo), base de montaje



PRECAUCIÓN Solo use sondas compatibles con Vaisala Indigo con el transmisor. Intentar conectar sondas o cables de sonda incompatibles puede dañar el equipo.

1.4 Opciones de Cableado

Puede pasar un cable de entrada/salida a través de la abertura en la parte posterior del transmisor o a través de la conexión pasante de goma en la parte inferior del transmisor.

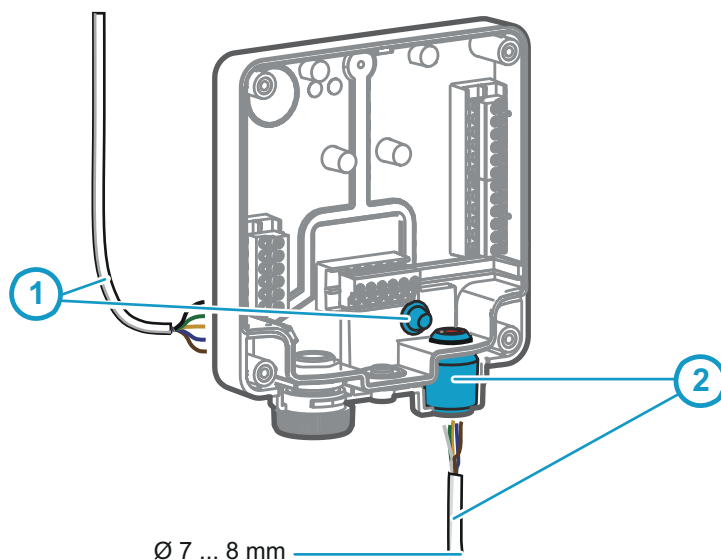


Figura 11 Opciones de cableado Indigo

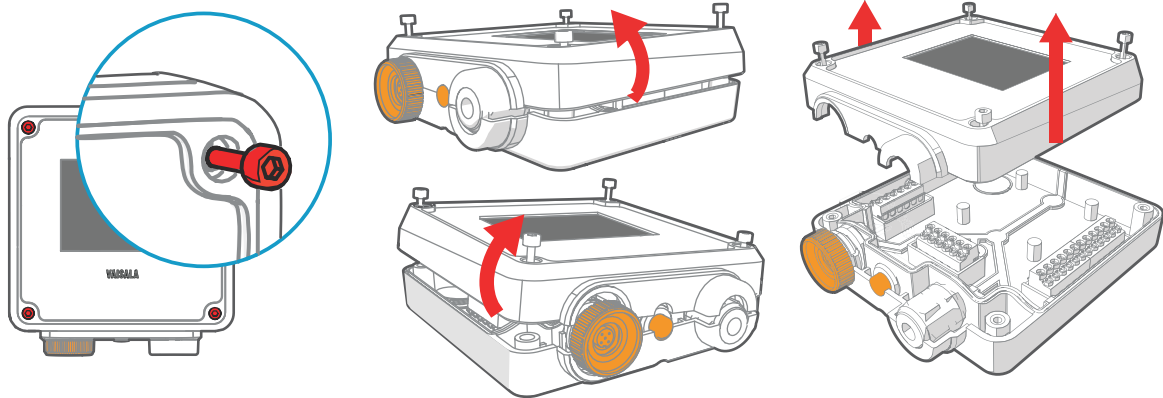
- 1 Cableado de la parte trasera: cortar el sellado abierto
- 2 Pase el cable a través de la conexión pasante de goma en la parte inferior del transmisor

- ▶ 1. Para pasar el cable de entrada/salida a través de la parte posterior del transmisor:
 - a. Corte la parte del sellado que sea necesaria para colocar su cable a través de la apertura.
 - b. Pase el cable por la apertura y coloque un pasamuros según sea necesario.
 - c. Si solo pasa cable a través de la parte posterior, enchufe o selle la conexión pasante en la parte inferior.
- 2. Para pasar el cable de entrada/salida a través del paso de goma en la parte inferior:
 - a. Empuje el cable de entrada/salida a través de la conexión pasante.
 - b. La conexión pasante proporciona pasamuros y mantiene el cable en su lugar. No es necesaria la fijación.



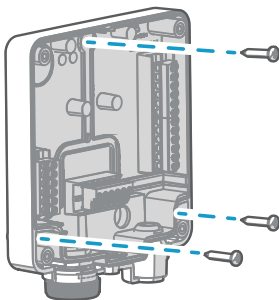
El diámetro de cable recomendado para el cableado a través de la conexión pasante de goma es de 7 a 8 mm. Si usa un tamaño de cable diferente, compruebe que el pasamuros funciona según lo previsto.

1.5 Apertura y montaje



PRECAUCIÓN Para evitar dañar las clavijas del conector del transmisor, saque la cubierta del transmisor de la base en ángulo recto. No la doble ni tuerza.

- ▶ 1. Afloje los 4 tornillos en la cubierta del transmisor.
2. Abra con cuidado la pieza de la cubierta del transmisor de ambos lados para que sea más fácil retirar la cubierta de la base.
3. Retire la cubierta del transmisor de la base en ángulo recto. No la doble ni tuerza.
4. Coloque la base del transmisor en la superficie de instalación y móntela con 3 tornillos. Consulte las posiciones del tornillo en [Figura 12 \(página 20\)](#).



5. Pase el cable de entrada/salida dentro del transmisor (consulte [Opciones de Cableado \(página 18\)](#)). Si está pasando cables a través del conductor en la parte inferior del transmisor, compruebe que el pasamuros funciona con su cable.
6. Conecte el cableado del cable de entrada/salida a los terminales de tornillo (consulte [Base del transmisor de Indigo \(página 20\)](#)) y vuelva a colocar la cubierta cuando haya terminado.

1.6 Base del transmisor de Indigo

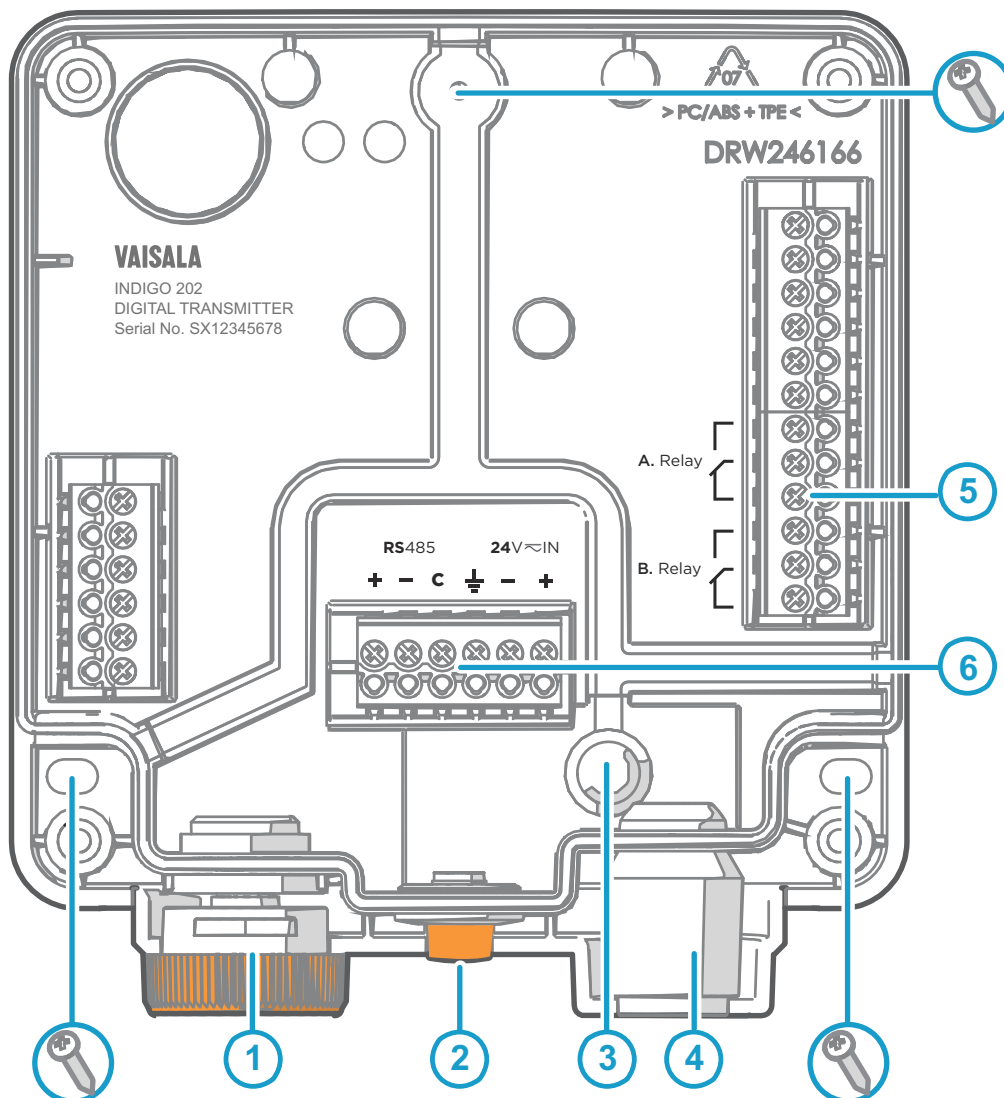



Figura 12 Piezas principales y posiciones de tornillos de la base del transmisor Indigo 202

- 1 Conector del cable de sonda y sonda dentro de la rueda de bloqueo
- 2 Botón de activación de la interfaz de configuración inalámbrica (WLAN)
- 3 Cableado de la parte trasera: abrir el sellado
- 4 Conexión pasante del cable de goma con pasamuros
- 5 Terminales roscados para los relés A y B
- 6 Terminales roscados para entrada del sistema de alimentación de 24 V y conexión RS-485 (Modbus)

 **PRECAUCIÓN** No active el sistema de alimentación antes de que se haya conectado el cableado.

1.7 Fijación de sondas y cables

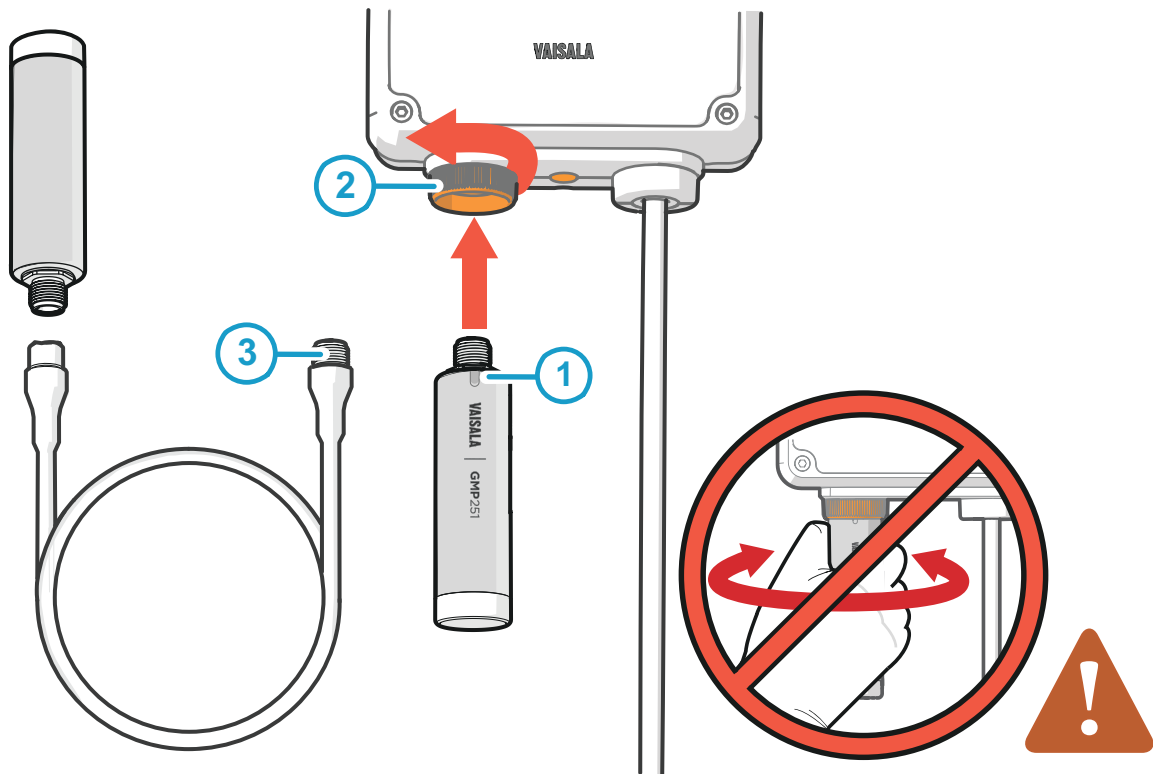



Figura 13 Fijación de sondas y cables a Indigo

- 1 Inserte las sondas en el conector de la sonda con la marca de orientación hacia afuera.
- 2 Las sondas se bloquean en su lugar con la rueda de fijación. **Nunca gire desde el cuerpo de la sonda.**
- 3 Conecte los cables de la sonda del mismo modo que las sondas: inserte el cable en el conector y sosténgalo en su lugar mientras gira la rueda de bloqueo.

 Compruebe las instrucciones de conexión en la documentación de su sonda. Algunas sondas se pueden conectar solo mediante un cable.

- ▶ 1. Inserte la sonda en el conector de la sonda con la marca de orientación en el cuerpo de la sonda hacia afuera.

2. Sostenga la sonda en el conector de la sonda y asegúrela en su lugar girando la rueda de bloqueo en el sentido contrario a las agujas del reloj. No gire el cuerpo de la sonda al colocarla, hágalo solo con la rueda de bloqueo del transmisor.
3. Cuando el transmisor reconoce la sonda conectada, muestra un mensaje de notificación en la pantalla (por ejemplo, **Probe Connected: GMP251**).

1.8 Conexión a la interfaz de configuración inalámbrica

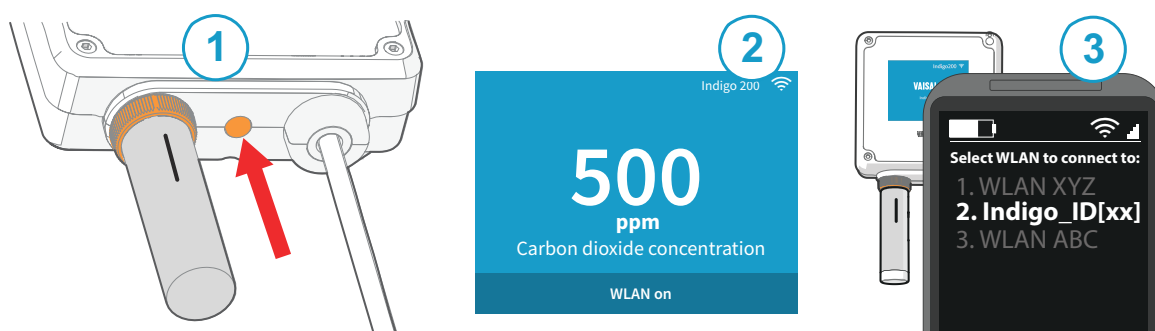


Figura 14 Habilitación y acceso a la interfaz de configuración inalámbrica de Indigo

- 1 Botón de activación de conexión inalámbrica
- 2 Indicador de conexión inalámbrica (símbolo WLAN) en la pantalla Indigo
- 3 Elija Indigo (**Indigo_ID[xx]**) de la lista de conexiones disponibles de su dispositivo inalámbrico

Para conectarse con la interfaz de configuración inalámbrica:

1. Presione el botón de activación de la conexión inalámbrica de la parte inferior del transmisor.
2. Cuando la interfaz de configuración inalámbrica está disponible, la pantalla Indigo muestra una notificación de conexión. En los modelos Indigo con un indicador LED, el LED parpadea en verde cuando la conexión está activa.
3. Abra el menú de conexión inalámbrica en su dispositivo móvil o computadora y seleccione **Indigo_ID[xx]** de la lista de conexiones disponibles.
4. Según su dispositivo, la interfaz de configuración inalámbrica se inicia automáticamente en su navegador después de conectarse a Indigo o puede necesitar iniciar su aplicación de navegador manualmente.
5. Cuando abre la interfaz de Indigo en su navegador, se le solicita que inicie sesión.



Solo se puede conectar un dispositivo a la vez a la interfaz de configuración inalámbrica.



Para obtener más información e instrucciones de solución de problemas para acceder a la interfaz de configuración inalámbrica Indigo 202, consulte *Indigo 202 User Guide*.

1.9 Iniciar sesión a la interfaz de configuración inalámbrica

Cuando abre la interfaz de configuración inalámbrica de Indigo en su navegador, se le solicita que inicie sesión. Hay 2 niveles de usuario disponibles:

- **User:** acceso de solo lectura disponible para todos los usuarios. No requiere una contraseña.
- **Admin:** acceso protegido por contraseña. Para cambiar la configuración, debe iniciar sesión como administrador.

Figura 15 Vista de inicio de sesión de Indigo

Para iniciar sesión:

1. Ingrese el nombre de usuario y contraseña:
 - a. Para iniciar sesión como usuario (acceso de solo lectura, sin derechos de configuración), seleccione **User** en el menú desplegable **User name**. Deje el campo **Password** vacío.
 - b. Para iniciar sesión como administrador (requerido para la configuración), seleccione **Admin** en el menú desplegable **User name** y escriba la contraseña de administrador (predeterminada: **12345**) en el campo **Password**.

2. Seleccione **Log in** después de ingresar las credenciales de inicio de sesión. La interfaz de configuración inalámbrica se inicia en la vista **Measurements**.



El nivel de usuario (**User** o **Admin**) se muestra en la esquina superior derecha de todas las vistas del menú.
Seleccione el icono de usuario/administrador en la esquina superior derecha para cambiar el nivel de usuario.

1.10 Menús de interfaz inalámbricos

Los transmisores Indigo se configuran mediante una interfaz de configuración inalámbrica basada en navegador (requiere un dispositivo móvil o una computadora con conectividad inalámbrica WLAN IEEE 802.11 b/g/n). Además de la configuración y calibración de la sonda y el transmisor, también puede usar la interfaz inalámbrica para ver los datos de medición y la información de estado.

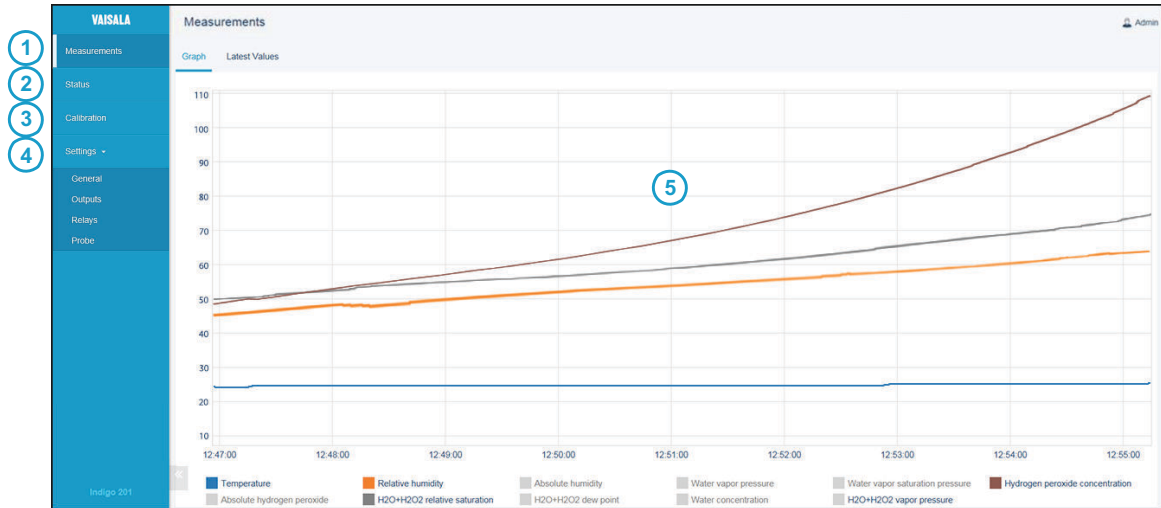


Figura 16 Interfaz de configuración inalámbrica, vista del navegador de escritorio

- 1 **Measurements:** muestra los datos de medición de la sonda conectada
- 2 **Status:** contiene información sobre el estado de Indigo y la sonda conectada (por ejemplo, notificaciones y alarmas)
- 3 **Calibration:** calibre y ajuste las sondas mediante las referencias. Las opciones disponibles (por ejemplo, puntos de ajuste) difieren según el modelo de la sonda.
- 4 **Settings:** contiene opciones para configurar la conexión y mostrar configuraciones, salidas, relés, configuración específica de la sonda y preferencias generales del dispositivo
 - Submenú **General:** información del dispositivo y configuración general, conexión inalámbrica y configuración de pantalla
 - Submenú **Outputs:** Configuración de comunicación serie Modbus
 - Submenú **Relays:** configuración para controlar los relés A y B
 - Submenú **Probe:** configuración específica de sonda como las compensaciones ambientales y el factor de filtrado
- 5 Área de visualización principal para menús e información de medición (ejemplo del navegador de escritorio)

1 Indigo 202 クイックガイド

1.1 Indigo 変換器の説明



図 17 プローブ接続オプションおよび無線インターフェースの例（GMP251 の例）

ヴァイサラ Indigo 変換器は、ヴァイサラ Indigo 互換プローブのプラグアンドプレイに対応したホストデバイスプラットフォームです。Indigo 変換器は、出力、測定値表示、状態モニタリング、設定インターフェースアクセスに関するさまざまな追加オプションにより、接続されているプローブの機能を拡張します。

Indigo 互換プローブは、変換器本体に直接接続するか、またはプローブケーブルを使用して接続できます。Indigo 変換器の設定インターフェースは、ブラウザベースの無線ユーザーインターフェースで、無線接続（IEEE 802.11 b/g/n WLAN）対応のモバイルデバイスまたはコンピューターが必要になります。

1.1.1 Indigo 202 の基本特徴とオプション

- いずれのヴァイサラ Indigo 互換プローブもすべての Indigo 変換器モデルに接続できます。
- 無線設定インターフェース：拡張可能な Indigo 202 のブラウザベースのユーザーインターフェースに接続し、プローブおよび変換器の設定を変更し、プローブおよび変換器の状態を確認します。
- 3.5" TFT LCD カラーディスプレイ
- 電源入力 15 ~ 30 VDC (24 VAC +/-10% 50/60Hz)
- デジタル出力：RS-485 Modbus RTU
- 2つの設定可能なリレー
- 1 m、3 m、5 m、10 m のプローブ接続ケーブルをアクセサリーとして入手可能

1.2 入力および出力仕様

表3 入力と出力

特性	仕様
デジタル出力	RS-485 Modbus RTU
リレー	2つの設定可能なリレー (VAC/VDC)
	デバイス最大仕様 (抵抗負荷) : <ul style="list-style-type: none"> 最大スイッチング電力 30 W/37.5 VA
	UL 定格最大仕様 (抵抗負荷) : <ul style="list-style-type: none"> AC : 最大 28 V/0.5 A DC : 最大 40 V/0.24 A 最大 30 VDC : <ul style="list-style-type: none"> 最大スイッチング電流 1 A 最大スイッチング電力 30 W
電源入力 ¹⁾	15 ...30 VDC (24 VAC +/-10% 50/60Hz)
最大電流	変換器と接続されているプローブで最大 1 A
消費電力	変換器だけで最大 3 W(+ 接続されているプローブの消費電力。プローブタイプにより異なります。)
プローブコネクタ	プローブ用 M12/5 コネクタまたはプローブケーブルによる接続 (ヴァイサラ Indigo 互換プローブ)
ケーブル挿入口	2つのオプション: 変換器の底部にあるゴム製の導入口および変換器の背面にあるシール付きの開口部
ネジ端子の配線サイズ	0.2 ...1.5 mm ²

1) 電気を安全に使用するために、過負荷保護機能付きの電源を使用することをお勧めします。



注意 ユニットの改変したり、本書に記載されていない方法で使用したりしないでください。不適切な改変は、安全上の問題や機器の損傷に加えて、仕様に準じた動作が行われなくなったり、機器の寿命が短くなったりする原因となる場合があります。

1.3 Indigo 変換器の部品

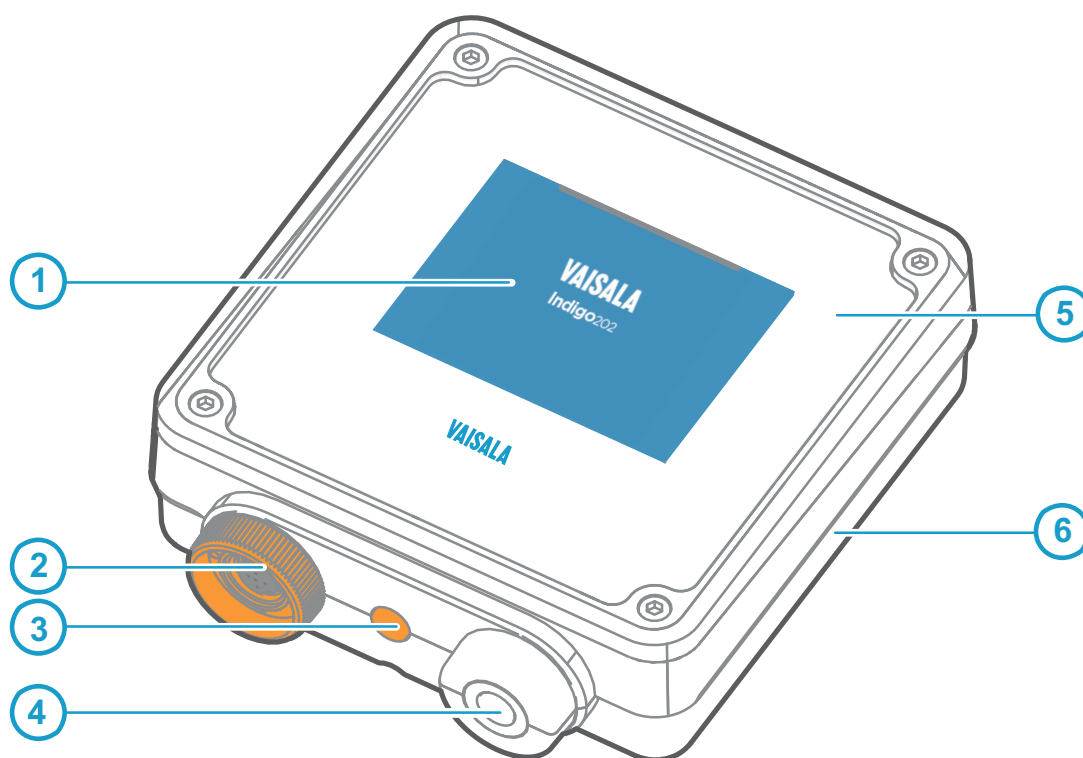


図 18 Indigo 変換器の部品

- 1 ディスプレイ
- 2 プローブとプローブケーブルコネクタ、固定用ホイール
- 3 無線（WLAN）設定インターフェースの起動ボタン
- 4 入力/出力ケーブル用の負荷を緩和できるゴム製の導入口
- 5 変換器のトップカバー：ディスプレイ、回路基板およびコネクタピン
- 6 変換器基盤：入力および出力配線（ネジ端子）、取り付け基盤



注意 本変換器には、ヴァイサラ Indigo 互換プローブのみを使用してください。互換性のないプローブまたはプローブケーブルを接続しようとすると、機器が損傷することがあります。

1.4 配線オプション

変換器の背面にある開口部または変換器の底部にあるゴム製の導入口から入力/出力ケーブルを配線できます。

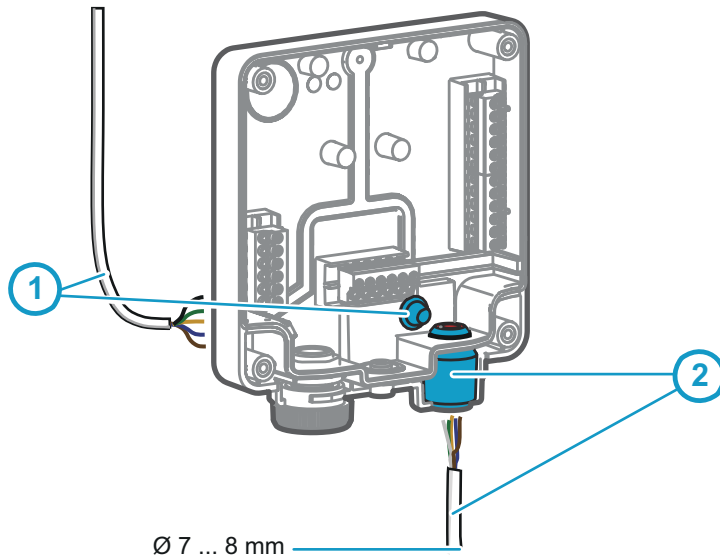


図 19 Indigo 配線オプション

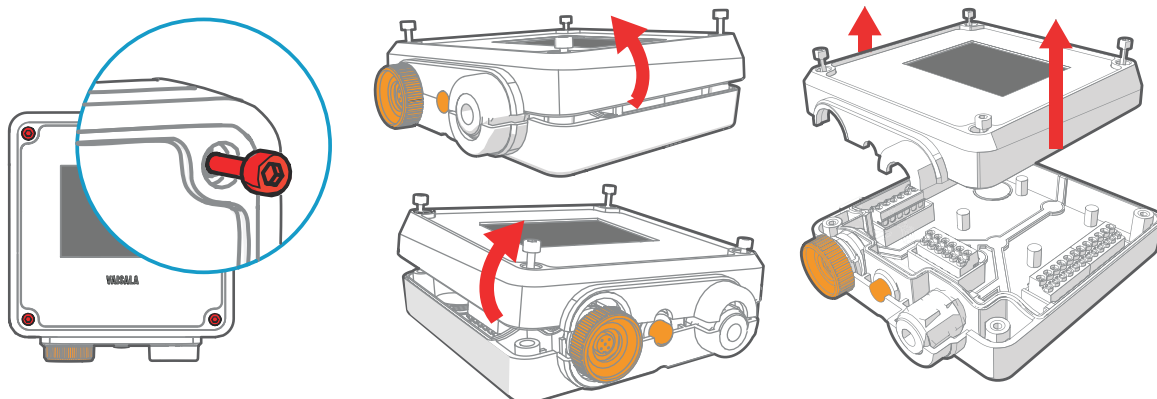
- 1 背面から配線：シールを切って開きます
- 2 変換器の底部にあるゴム製の導入口から配線

- ▶ 1. 入力/出力ケーブルを変換器の背面から配線するには、以下の手順に従います。
 - a. ケーブルがちょうど通るように、必要な分だけシールを切り落とします。
 - b. 開口部にケーブルを通して、必要に応じて負荷を緩和するケーブルグランドを取り付けます。
 - c. 背面からのみ配線する場合は、底部にある導入口に栓をするか密封します。
- 2. 入力/出力ケーブルを底部にあるゴム製の導入口から配線するには、以下の手順に従います。
 - a. 入力/出力ケーブルを導入口から押し込みます。
 - b. 導入口には負荷を緩和し、ケーブルを所定の位置に保持する機能があります。締め付ける必要はありません。



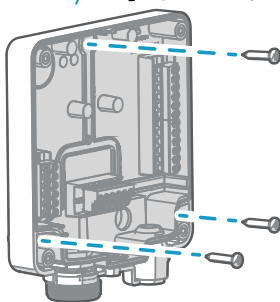
ゴム製の導入口から配線する場合の推奨ケーブル直径は7～8 mmです。異なるケーブルサイズを使用する場合は、想定どおりケーブルへの負荷が緩和されているかテストしてください。

1.5 カバーの取り外しおよび設置



注意 変換器のコネクタピンを損傷しないように、変換器カバーをまっすぐ引っ張って基盤から取り外します。捻ったり曲げたりしないでください。

- ▶ 1. 変換器カバーの4本のネジを緩めます。
2. カバーを基盤から引っ張って外しやすくするために、変換器カバーを両側から途中まで慎重に外します。
3. 変換器カバーをまっすぐ引っ張って基盤から取り外します。捻ったり曲げたりしないでください。
4. 変換器基盤を取り付け面に配置し、3本のネジで基盤を設置します。☒ 20 (ページ 32) に示されたネジの位置を参照してください。



5. 入力/出力ケーブルを変換器内に配線します (「配線オプション (ページ 30)」を参照)。変換器の底部にある導入口にケーブルを通す場合は、ケーブルへの負荷が緩和されているかテストしてください。
6. 入力/出力ケーブルをネジ端子に接続し (「Indigo 変換器基盤 (ページ 32)」を参照)、完了したらカバーを再度取り付けます。

1.6 Indigo 変換器基盤

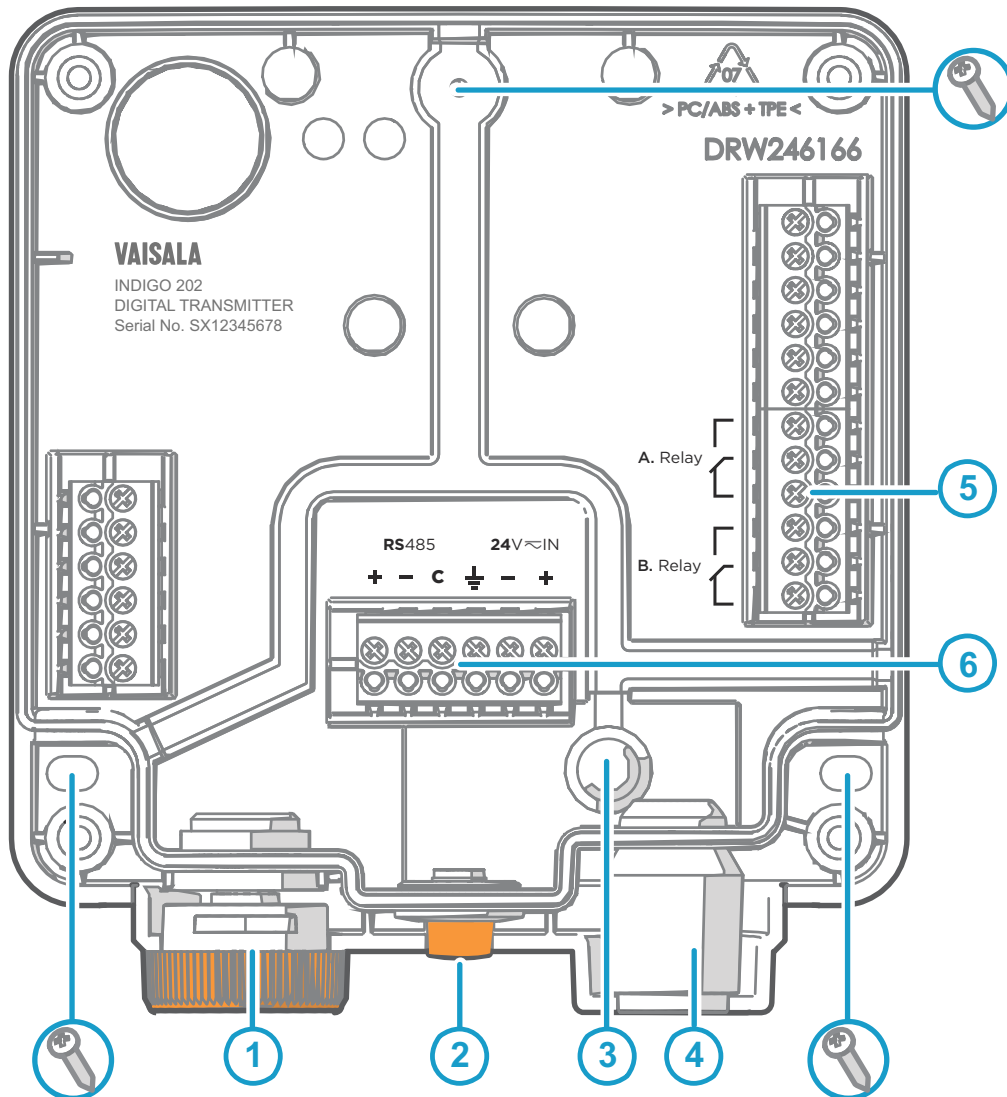


図 20 Indigo 202 変換器基盤の主要部品とネジの位置

- 1 固定用ホイール内のプローブとプローブケーブルコネクタ
- 2 無線 (WLAN) 設定インターフェースの起動ボタン
- 3 背面から配線：シールを切って開きます
- 4 負荷を緩和できるゴム製のケーブル導入口
- 5 リレー A および B 用のネジ端子
- 6 24 V 電源入力および RS-485 (Modbus) 接続用のネジ端子



注意 配線を接続する前に通電させないでください。

1.7 プローブとケーブルの取り付け

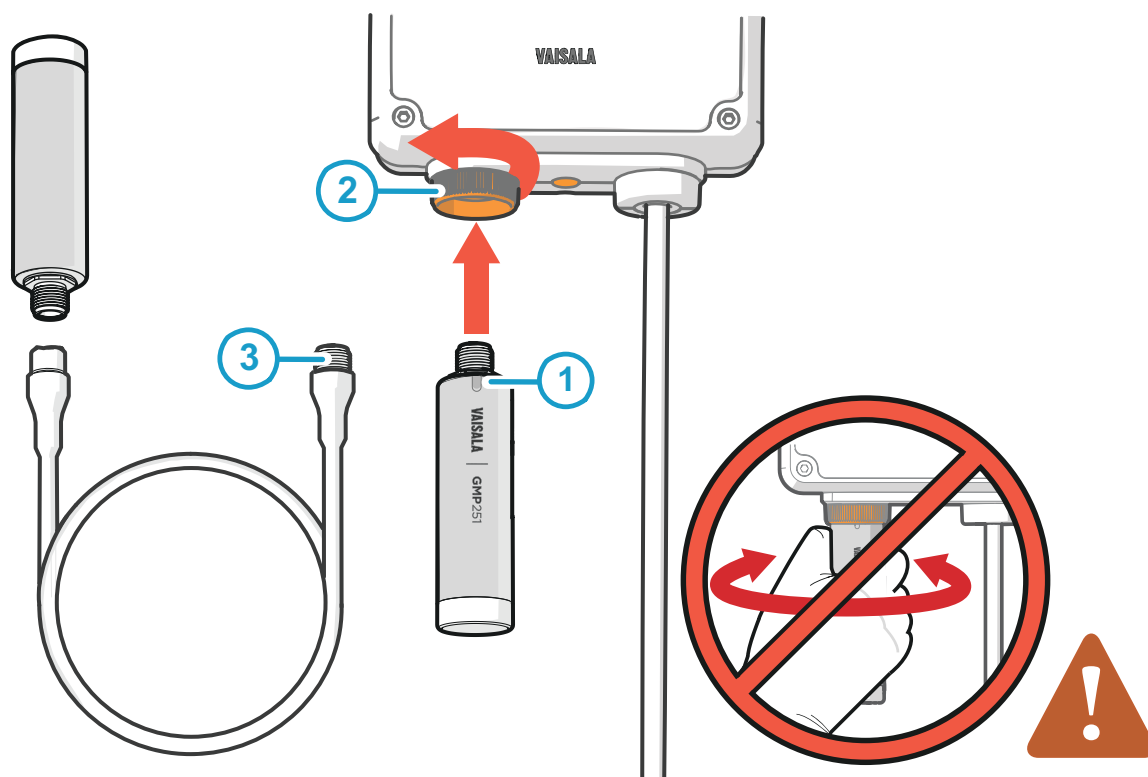


図 21 プローブとケーブルの Indigo への取り付け

- 1 向きを示すマークと合うようにプローブをプローブコネクタに挿入します。
- 2 プローブは、固定用ホイールで所定の位置に固定します。**決してプローブ本体をつかんで回さないでください。**
- 3 プローブと同様にプローブケーブルを接続します。ケーブルをコネクタに挿入し、固定用ホイールを回しながら所定の位置に保持します。



プローブの取扱説明書を参照し、接続手順を確認してください。プローブによっては、ケーブルでしか接続できない場合があります。

- ▶ 1. プローブ本体の向きを示すマークと合うようにプローブをプローブコネクタに挿入します。
2. プローブをプローブコネクタに保持し、固定用ホイールを反時計回りに回して所定の位置に固定します。取り付けの際は、プローブ本体をつかんで回さないでください。Indigo 変換器の固定用ホイールのみを回してください。
3. 変換器で接続したプローブが認識されると、ディスプレイに通知メッセージ ([**Probe Connected: GMP251**] など) が表示されます。

1.8 無線設定インターフェースへの接続

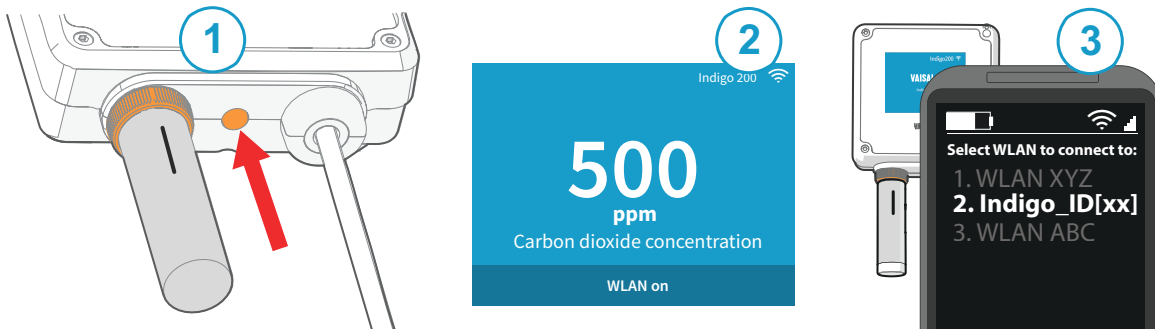


図 22 Indigo の無線設定インターフェースの有効化とアクセス

- 1 無線接続起動ボタン
- 2 Indigo ディスプレイ上の無線接続インジケータ（WLAN 記号）
- 3 接続できる無線機器リストから Indigo (**Indigo_ID[xx]**) を選択

無線設定インターフェースに接続するには、以下の手順に従います。

- ▶ 1. 変換器の底部にある無線接続起動ボタンを押します。
2. 無線設定インターフェースが利用可能になると、Indigo ディスプレイには接続通知が表示されます。LED インジケータ付きの Indigo モデルでは、接続がアクティブになると LED が緑色に点滅します。
3. モバイルデバイスやコンピューターで無線接続メニューを開き、利用可能な接続のリストから **Indigo_ID[xx]** を選択します。
4. デバイスによっては、Indigo に接続した後で無線接続インターフェースがブラウザで自動的に起動します。そうでない場合は、ブラウザアプリケーションを手動で起動する必要があります。
5. ブラウザで Indigo インターフェースを開くと、ログインするよう求められます。



無線設定インターフェースに接続できる機器は一度に1つだけです。



Indigo 202 無線設定インターフェースにアクセスする手順の詳細またはトラブルシューティング手順については、『Indigo 202 User Guide』を参照してください。

1.9 無線設定インターフェースへのログイン

ブラウザで Indigo の無線設定インターフェースを開くと、ログインするよう求められます。利用可能なユーザーレベルは、次の2つです。

- **User:**すべてのユーザーが利用可能な表示専用アクセス。パスワードは不要です。
- **Admin:**パスワードで保護されたアクセス。設定を変更するには、管理者としてログインする必要があります。

図 23 Indigo ログイン画面

ログインするには、以下の手順に従います。

- ▶ 1. ユーザー名とパスワードを入力します。
 - a. ユーザーとしてログイン（表示専用アクセス、設定権限なし）するには、**[User name]** ドロップダウンから **[User]** を選択します。**[Password]** フィールドは空のままにします。
 - b. 管理者としてログイン（設定する場合は必要）するには、**[User name]** ドロップダウンから **[Admin]** を選択し、管理者パスワード（初期設定：**12345**）を **[Password]** フィールドに入力します。
2. ログイン資格情報を入力したら、**[Log in]** を選択します。無線設定インターフェースが **[Measurements]** 画面で開きます。



ユーザーレベル (**User** または **Admin**) は、すべてのメニュー画面の右上角に表示されます。
ユーザーレベルを変更するには、右上隅にあるユーザーアイコンまたは管理者アイコンを選択します。

1.10 無線インターフェースメニュー

Indigo 変換器は、ブラウザベースの無線設定インターフェースを使用して設定します (IEEE 802.11 b/g/n WLAN 無線接続対応のモバイルデバイスまたはコンピューターが必要です)。無線インターフェースを使用すると、プローブと変換器の設定と校正に加えて、測定データと状態情報を表示できます。

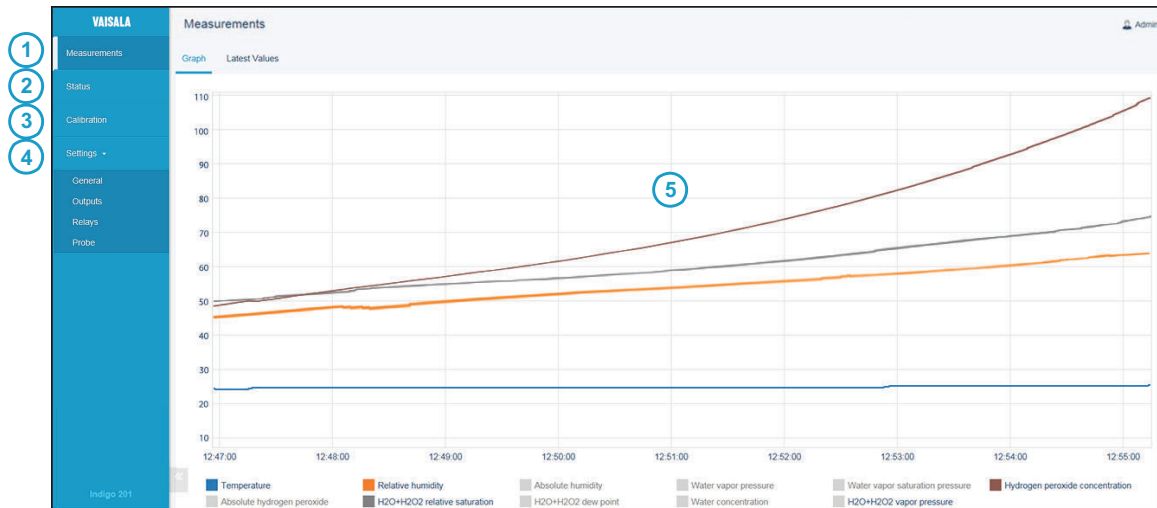


図 24 無線設定インターフェース、デスクトップブラウザ画面

- 1 **Measurements:**接続されているプローブの測定データが表示されます。
- 2 **Status:**Indigo および接続されているプローブの状態（通知やアラームなど）に関する情報が含まれます。
- 3 **Calibration:**基準を使用してプローブを校正および調整します。利用可能なオプション（調整点など）は、プローブモデルによって異なります。
- 4 **Settings:**接続および表示設定、出力、リレー、プローブ固有の設定、機器の一般環境設定を行うためのオプションが含まれます。
 - **[General]** サブメニュー：機器情報および一般設定、無線接続および表示設定
 - **[Outputs]** サブメニュー：Modbus シリアル通信設定
 - **[Relays]** サブメニュー：リレー A および B を制御するための設定
 - **[Probe]** サブメニュー：環境補正やフィルタリング係数などのプローブ固有の設定
- 5 メニューおよび測定情報のメイン表示領域（デスクトップブラウザの例）

1 Indigo 202 快速指南

1.1 Indigo 变送器简介



图 25 探头连接选项和无线界面示例 (GMP251 示例)

Vaisala Indigo 变送器是用于 Vaisala Indigo 兼容探头的即插即用的主机设备平台。Indigo 变送器通过用于输出、测量值查看、状态监控和配置界面访问的多种附加选项，扩展了连接的探头的功能。

可以在变送器本体上直接连接 Indigo 兼容探头，也可以使用探头电缆进行连接。Indigo 变送器的配置界面是基于浏览器的无线用户界面，它要求支持无线连接 (IEEE 802.11 b/g/n WLAN) 的移动设备或计算机。

1.1.1 Indigo 202 基本功能和选项

- 与 Vaisala Indigo 兼容的所有探头可以连接到所有 Indigo 变送器型号
- 无线配置界面：连接到可扩展的基于浏览器的 Indigo 202 用户界面来更改探头和变送器设置、查看测量值、查看探头和变送器的状态
- 3.5 英寸 TFT 液晶彩色显示屏
- 电源输入 15 ...30 VDC (24 VAC +/-10% 50/60Hz)
- 数字输出：RS-485 Modbus RTU
- 2 个可配置的继电器
- 提供 1 米、3 米、5 米和 10 米探头连接电缆作为配件

1.2 输入和输出规格

表 4 输入和输出

参数	规格
数字输出	RS-485 Modbus RTU
继电器	2 个可配置的继电器 (VAC/VDC)
	设备最高规格（电阻负载）： · 最大切换功率 30 W / 37.5 VA
	UL 认定的最高规格（电阻负载）： · 交流：最大 28 V / 0.5 A · 直流：最大 40 V / 0.24 A · 最大 30 VDC： · 最大切换电流 1 A · 最大切换功率 30 W
电源输入 ¹⁾	15 ...30 VDC (24 VAC +/-10% 50/60Hz)
最大电流	变送器和连接的探头最大电流为 1 A
功耗	变送器最大功耗为 3 W（外加连接的探头，功耗随探头型号而异）
探头接头	采用 M12/5 接头来连接探头或探头电缆（Vaisala Indigo 兼容探头）
电缆馈通	2 个选项：变送器底部的橡胶导通，变送器背部的开口密封
螺钉端子线尺寸	0.2 ...1.5 mm ²

1) 推荐使用有过载保护的电源，以确保用电安全。



警告 不要改动设备或者在使用设备时采用未在文档中描述的方式。不正确的改动可能导致安全危险、设备损坏、未能按照规范执行或者缩短设备使用寿命。

1.3 Indigo 变送器部件

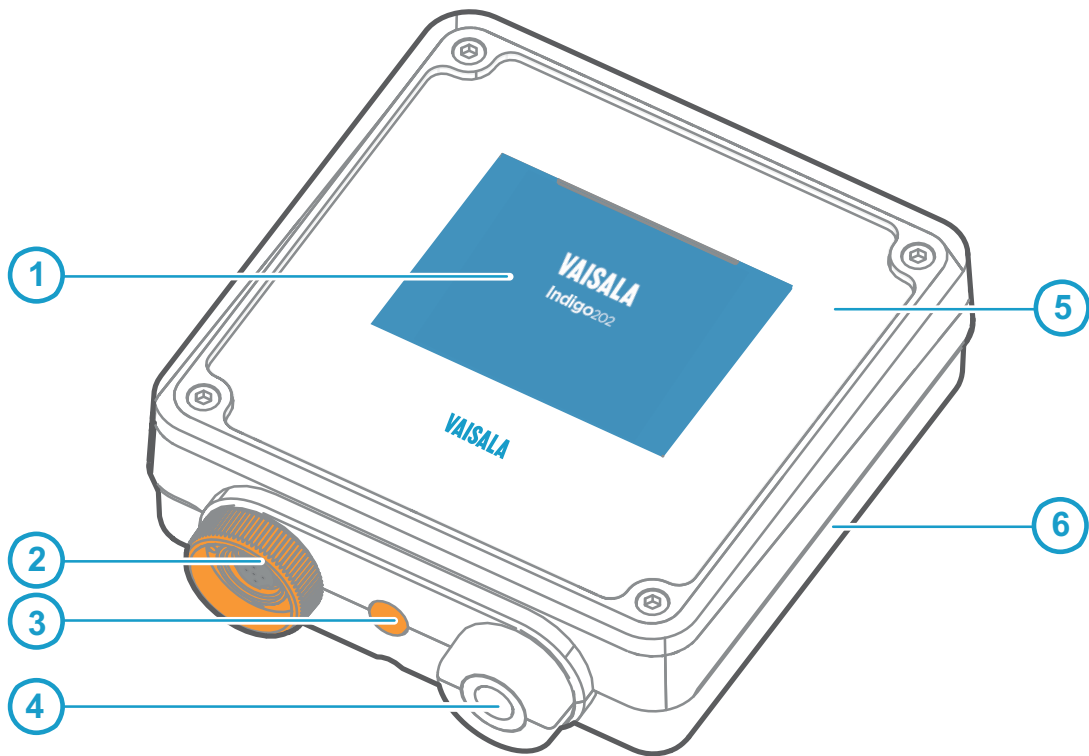


图 26 Indigo 变送器部件

- 1 显示屏
- 2 探头和探头电缆接头，锁轮
- 3 无线 (WLAN) 配置界面激活按钮
- 4 输入/输出电缆的橡胶导通（带张力消除器）
- 5 变送器的顶盖：显示屏、电路板和接头针脚
- 6 变送器基座：输入和输出接线（螺钉端子）、安装基座



警告 请只将与 Vaisala Indigo 兼容的探头用于变送器。尝试连接不兼容的探头或探头电缆可能损坏设备。

1.4 配线选项

您可以引导输入/输出电缆穿过变压器背部的开口，或者穿过变压器底部的橡胶导通。

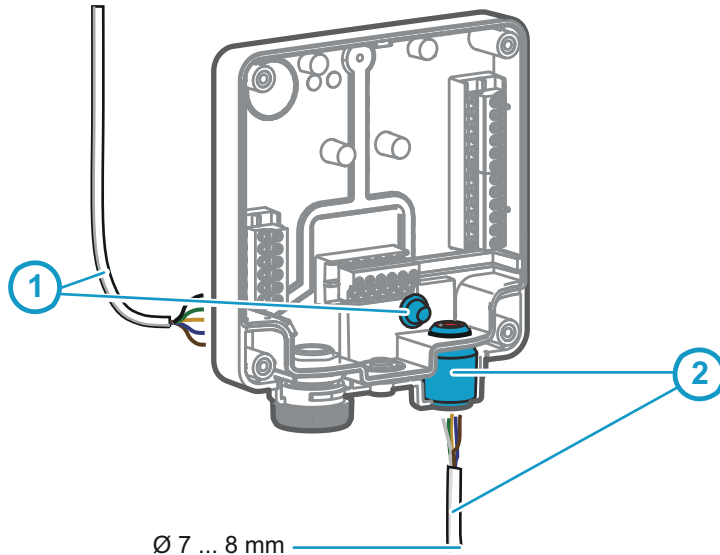


图 27 Indigo 配线选项

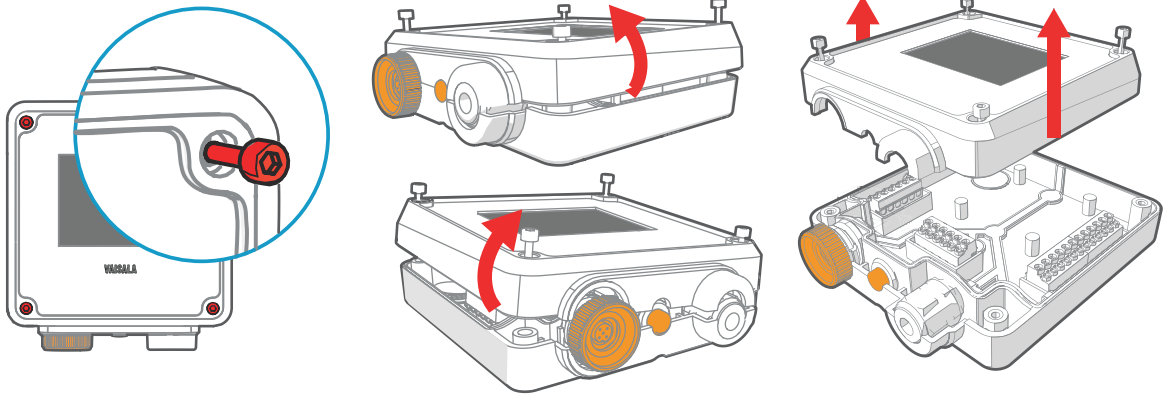
- 1 从背面接线：切开密封件
- 2 配线穿过变压器底部的橡胶导通

- ▶ 1. 要引导输入/输出电缆穿过变压器背部：
 - a. 根据需要切去尽可能多的密封件，以便适合您的电缆穿过开口。
 - b. 引导电缆穿过开口并且根据需要连接张力消除器。
 - c. 如果您仅是穿过背部，则堵上或密封底部的导通。
- 2. 要引导输入/输出电缆穿过底部的橡胶导通：
 - a. 将输入/输出电缆引推过导通。
 - b. 该导通提供张力消除器并且将电缆固定到位。不需要拧紧。



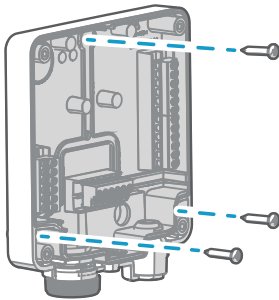
用于引导电缆穿过橡胶导通的建议电缆直径为 7 ... 8 毫米。如果您使用不同的电缆尺寸，则测试张力消除器是否按预期工作。

1.5 打开和安装



警告 为避免损坏变送器的接头针，请将变送器顶盖呈直角从基座上拉下。不要扭绞或弯曲。

- ▶ 1. 松开变送器顶盖上的 4 颗螺钉。
2. 慎重地从两边将变送器顶盖打开一部分，以便将顶盖从基座上拉下。
3. 以直角方向将变送器顶盖从基座上拉下。不要扭绞或弯曲。
4. 将变送器基座放置于安装面上并且用 3 颗螺钉安装它。请参见图 28 (页 42) 中的螺钉位置。



5. 将输入/输出电缆引导到变送器内（参见配线选项 (页 40)）。如果您正在通过变送器底部的导通进行配线，请测试张力消除器适用于您的电缆。
6. 将输入/输出电缆的配线连接到螺钉端子（参见 Indigo 变送器基座 (页 42)）并且在完成后重新连接顶盖。

1.6 Indigo 变送器基座

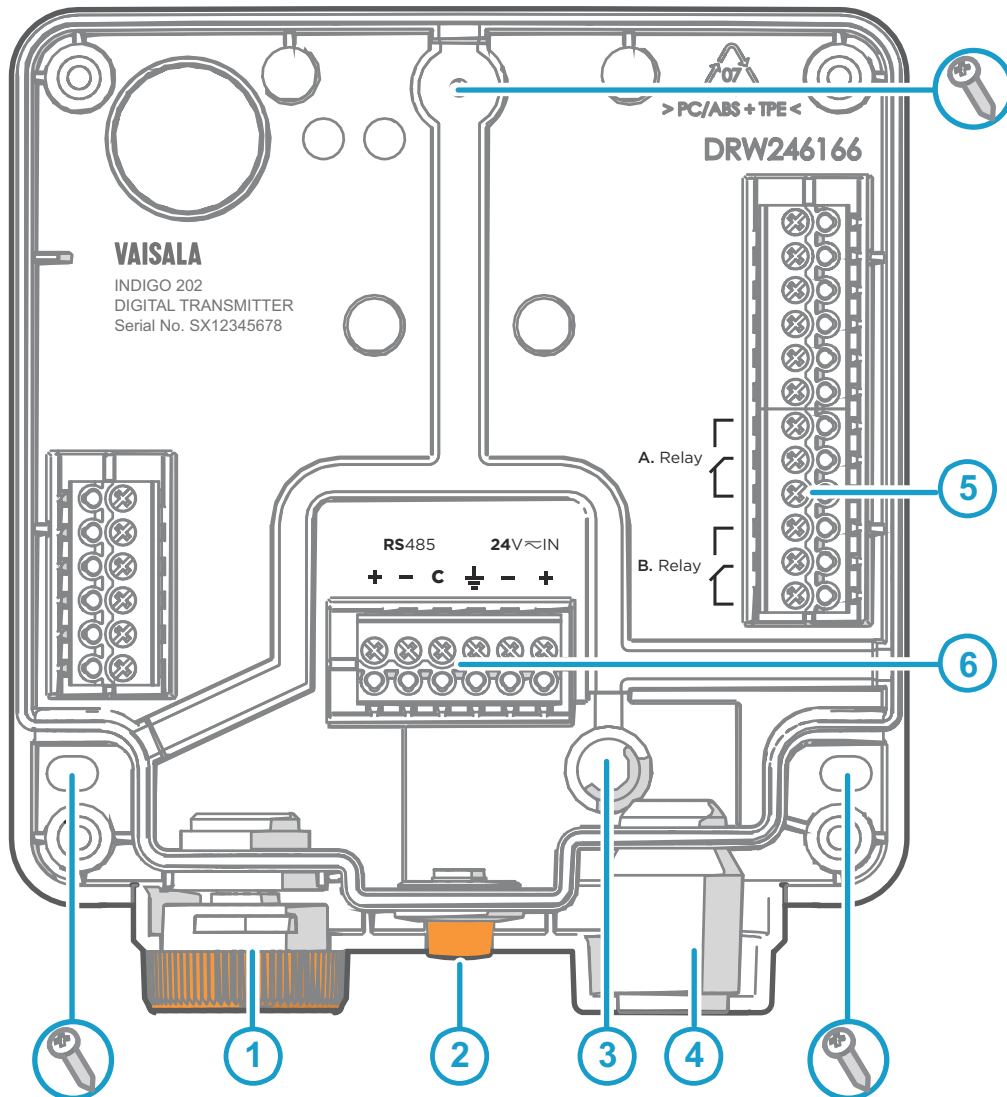


图 28 Indigo 202 变送器基座主部件和螺钉位置

- 1 锁轮里的探头和探头电缆接头
- 2 无线 (WLAN) 配置界面激活按钮
- 3 从背面接线：切开密封件
- 4 橡胶电缆导通（带张力消除器）
- 5 继电器 A 和 B 的螺钉端子
- 6 24 V 电源输入和 RS-485 (Modbus) 连接的螺钉端子



警告 在连接好电线前请不要接通电源。

1.7 连接探头和电缆

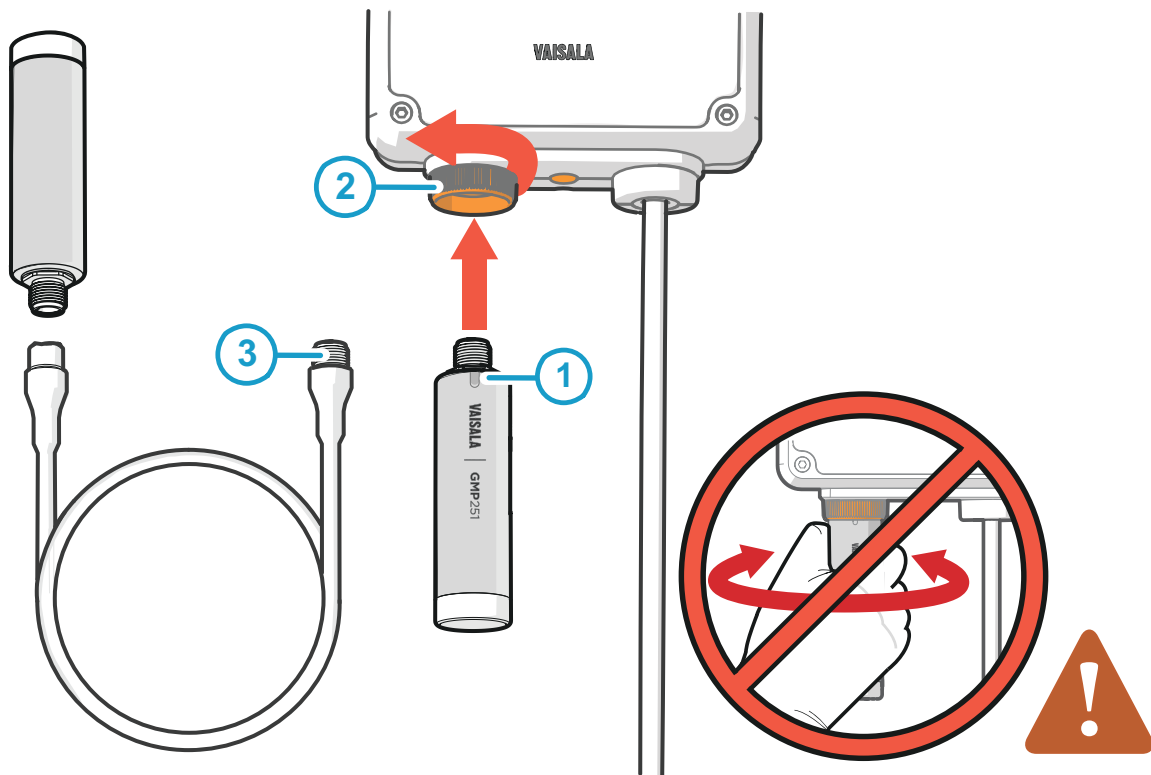


图 29 将探头和电缆连接到 Indigo

- 1 将探头插入探头接头并使标记朝外。
- 2 使用锁轮将探头锁定到位。**请勿转动探头主体。**
- 3 按与探头相同的方式连接探头电缆：将电缆插入接头并转动锁轮将其固定到位。



在探头文档中查看连接说明。某些探头只能使用一根电缆连接。

- ▶ 1. 将探头插入探头接头并使探头主体上的标记朝外。
2. 在探头接头中固定探头并逆时针转动锁轮使其锁定到位。连接时请勿转动探头主体，而是使用变送器上的锁轮进行操作。
3. 变送器识别连接的探头时，它在显示屏上显示通知信息（例如 **Probe Connected: GMP251**（探头已连接：GMP251））。

1.8 连接到无线配置界面

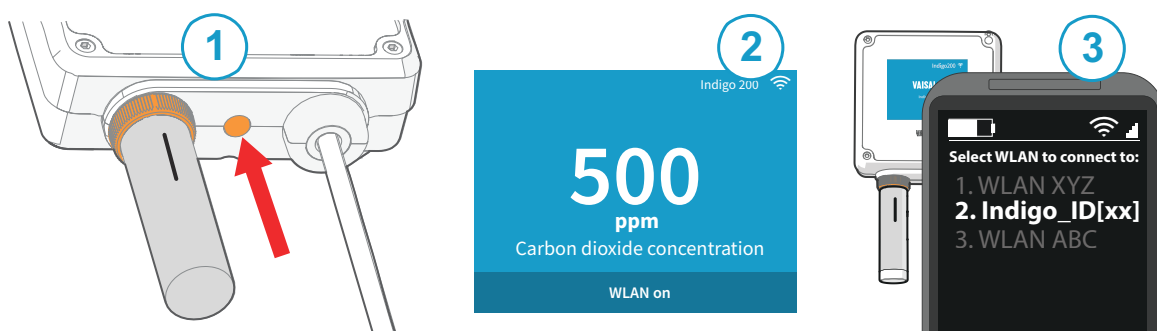


图 30 启用和访问 Indigo 的无线配置界面

- 1 无线连接激活按钮
- 2 Indigo 显示屏上的无线连接指示器 (WLAN 符号)
- 3 从无线设备的可用连接列表中选择 Indigo (**Indigo_ID[xx]**)

要连接到无线配置界面：

- ▶ 1. 按变送器底部的无线连接激活按钮。
2. 无线配置界面变得可用时，Indigo 显示屏显示一个连接通知。在有 LED 指示灯的 Indigo 型号中，当连接处于活动状态时 LED 闪烁绿灯。
3. 打开移动设备或计算机中的无线连接菜单，从可用连接列表中选择 **Indigo_ID[xx]**。
4. 根据您的设备，在连接到 Indigo 后，无线配置界面可能在您的浏览器中自动启动，或者您可能需要手动启动浏览器应用程序。
5. 在浏览器中打开 Indigo 界面后，系统提示您登录。



一次只能将一个设备连接到无线配置界面。



有关访问 Indigo 202 无线配置界面的更多信息和故障排除说明，请参见 Indigo 202 User Guide。

1.9 登录到无线配置界面

在浏览器中打开 Indigo 的无线配置界面后，系统提示您登录。有 2 个可用的用户级别：

- **User:** 为所有用户提供仅查看权限。不需要密码。
- **Admin:** 受密码保护的访问权限。要更改设置，您必须以管理员身份登录。

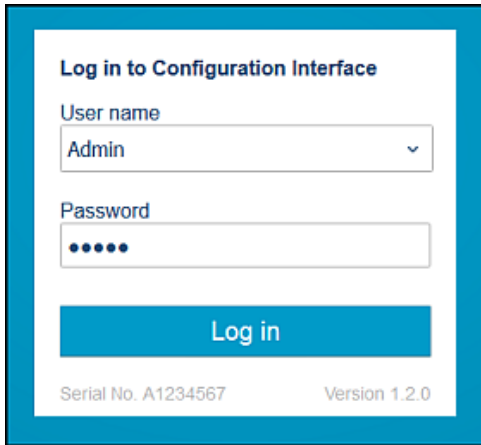


图 31 Indigo 登录视图

要登录：

- ▶ 1. 输入用户名和密码：
 - a. 要以用户（仅查看权限，无配置权）身份登录，请从 **User name**（用户名）下拉列表中选择 **User**（用户）。使 **Password**（密码）字段留空。
 - b. 要以管理员（配置时需要）身份登录，请在 **User name**（用户名）下拉列表中选择 **Admin**（管理员）并在 **Password**（密码）字段中键入管理员密码（默认值：**12345**）。
2. 在输入登录凭据后选择 **Log in**（登录）。无线配置界面将在 **Measurements**（测量值）视图中打开。



用户级别（**User** 或 **Admin**）显示在所有菜单视图的右上角。选择右上角的 user/admin 图标来更改用户级别。

1.10 无线界面菜单

使用基于无线浏览器的配置界面配置 Indigo 变送器（需要支持 IEEE 802.11 b/g/n WLAN 无线连接的移动设备或计算机）。除了进行探头和变送器配置和校准外，您还可以使用无线界面查看测量数据和状态信息。

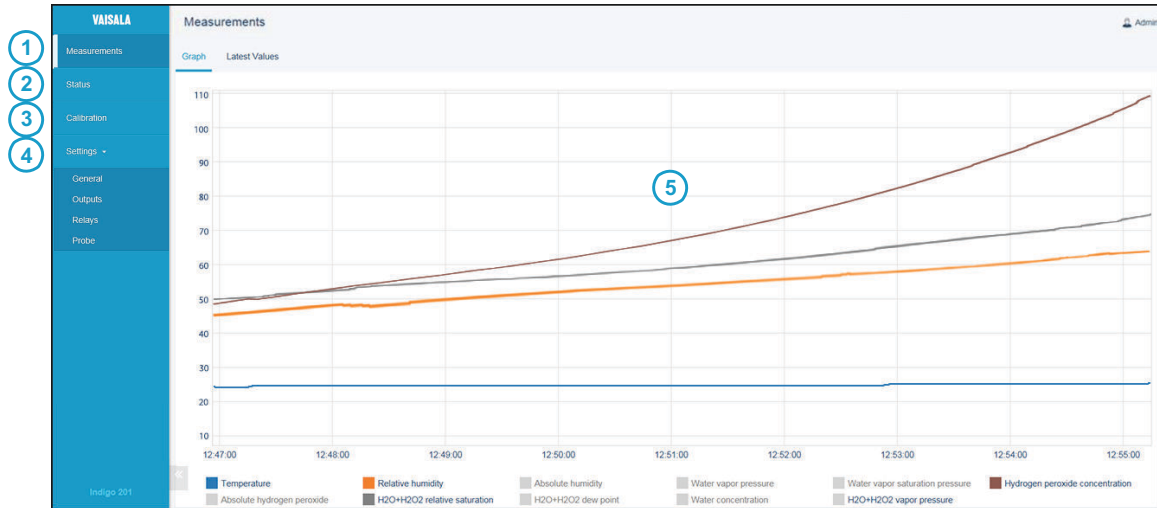


图 32 无线配置界面，桌面浏览器视图

- 1 **Measurements:**显示连接的探头的测量数据
- 2 **Status:**包含有关 Indigo 和连接的探头的状态信息（例如通知和警报）
- 3 **Calibration:**使用基准值校准和调校探头。可用选项（例如调校点）随探头型号而异。
- 4 **Settings:**包含一些选项用于配置连接和显示设置、输出、继电器、探头特定设置和一般设备首选项
 - **General**（常规）子菜单：包含设备信息和常规设置、无线连接和显示设置
 - **Outputs**（输出）子菜单：Modbus 串行通信设置
 - **Relays**（继电器）子菜单：包含用于控制继电器 A 和 B 的设置
 - **Probe**（探头）子菜单：包含探头特定设置，如环境补偿和滤波因子
- 5 菜单和测量信息的主显示区域（桌面浏览器显示示例）

EU Declaration of Conformity

BG: С настоящото Vaisala Oyj декларира, че този тип радиосъоръжение Indigo 202 е в съответствие с Директива 2014/53/ЕС. Цялостният текст на ЕС декларацията за съответствие може да се намери на следния интернет адрес: www.vaisala.com/declarationofconformity

CS: Tímto Vaisala Oyj prohlašuje, že typ rádiového zařízení Indigo 202 je v souladu se směrnicí 2014/53/EU. Úplné znění EU prohlášení o shodě je k dispozici na této internetové adrese: www.vaisala.com/declarationofconformity

DA: Hermed erklærer Vaisala Oyj , at radioudstyrstypen Indigo 202 er i overensstemmelse med direktiv 2014/53/EU. EU-overensstemmelseserklæringens fulde tekst kan findes på følgende internetadresse: www.vaisala.com/declarationofconformity

DE: Hiermit erklärt Vaisala Oyj , dass der Funkanlagentyp Indigo 202 der Richtlinie 2014/53/EU entspricht. Der vollständige Text der EU-Konformitätserklärung ist unter der folgenden Internetadresse verfügbar: www.vaisala.com/declarationofconformity

EL: Με την παρούσα ο/η Vaisala Oyj , δηλώνει ότι ο ραδιοεξοπλισμός Indigo 202 πληροί την οδηγία 2014/53/ΕΕ. Το πλήρες κείμενο της δήλωσης συμμόρφωσης ΕΕ διατίθεται στην ακόλουθη ιστοσελίδα στο διαδίκτυο: www.vaisala.com/declarationofconformity

EN: Hereby, Vaisala Oyj declares that the radio equipment type Indigo 202 is in compliance with Directive 2014/53/EU. The full text of the EU declaration of conformity is available at the following internet address: www.vaisala.com/declarationofconformity

ES: Por la presente, Vaisala Oyj declara que el tipo de equipo radioeléctrico Indigo 202 es conforme con la Directiva 2014/53/UE. El texto completo de la declaración UE de conformidad está disponible en la dirección Internet siguiente: www.vaisala.com/declarationofconformity

ET: Käesolevaga deklareerib Vaisala Oyj , et käesolev raadioseadme tüüp Indigo 202 vastab direktiivi 2014/53/EL nõuetele. ELi vastavusdeklaratsiooni täielik tekst on kättesaadav järgmisel internetiaadressil: www.vaisala.com/declarationofconformity

FI: Vaisala Oyj vakuuttaa, että radiolaitetyyppi Indigo 202 on direktiivin 2014/53/EU mukainen. EU-vaatimustenmukaisuusvakuutuksen täysimittainen teksti on saatavilla seuraavassa internetosoitteessa: www.vaisala.com/declarationofconformity

FR: Le soussigné, Vaisala Oyj , déclare que l'équipement radioélectrique du type Indigo 202 est conforme à la directive 2014/53/UE. Le texte complet de la déclaration UE de conformité est disponible à l'adresse internet suivante: www.vaisala.com/declarationofconformity

HR: Vaisala Oyj ovime izjavljuje da je radijska oprema tipa Indigo 202 u skladu s Direktivom 2014/53/EU. Cjeloviti tekst EU izjave o sukladnosti dostupan je na sljedećoj internetskoj adresi: www.vaisala.com/declarationofconformity

HU: Vaisala Oyj igazolja, hogy a Indigo 202 típusú rádióberendezés megfelel a 2014/53/EU irányelvnek. Az EU-megfelelőségi nyilatkozat teljes szövege elérhető a következő internetes címen: www.vaisala.com/declarationofconformity

IT: Il fabbricante, Vaisala Oyj , dichiara che il tipo di apparecchiatura radio Indigo 202 è conforme alla direttiva 2014/53/UE. Il testo completo della dichiarazione di conformità UE è disponibile al seguente indirizzo Internet: www.vaisala.com/declarationofconformity

LT: Aš, Vaisala Oyj , patvirtinu, kad radijo įrenginių tipas Indigo 202 atitinka Direktyvą 2014/53/ES. Visas ES atitikties deklaracijos tekstas prieinamas šiuo interneto adresu: www.vaisala.com/declarationofconformity

LV: Ar šo Vaisala Oyj deklarē, ka radioiekārta Indigo 202 atbilst Direktīvai 2014/53/ES. Pilns ES atbilstības deklarācijas teksts ir pieejams šādā interneta vietnē: www.vaisala.com/declarationofconformity

MT: B'dan, Vaisala Oyj , niddikjara li dan it-tip ta' tagħmir tar-radju Indigo 202 huwa konformi mad-Direttiva 2014/53/UE. It-test kollu tad-dikjarazzjoni ta' konformità tal-UE huwa disponibbli f'dan l-indirizz tal-Internet li ġej: www.vaisala.com/declarationofconformity

NL: Hierbij verklaar ik, Vaisala Oyj , dat het type radioapparatuur Indigo 202 conform is met Richtlijn 2014/53/EU. De volledige tekst van de EU-conformiteitsverklaring kan worden geraadpleegd op het volgende internetadres: www.vaisala.com/declarationofconformity

PL: Vaisala Oyj niniejszym oświadcza, że typ urządzenia radiowego Indigo 202 jest zgodny z dyrektywą 2014/53/UE. Pełny tekst deklaracji zgodności UE jest dostępny pod następującym adresem internetowym: www.vaisala.com/declarationofconformity

PT: O(a) abaixo assinado(a) Vaisala Oyj declara que o presente tipo de equipamento de rádio Indigo 202 está em conformidade com a Diretiva 2014/53/UE. O texto integral da declaração de conformidade está disponível no seguinte endereço de Internet: www.vaisala.com/declarationofconformity

RO: Prin prezenta, Vaisala Oyj declară că tipul de echipamente radio Indigo 202 este în conformitate cu Directiva 2014/53/UE. Textul integral al declarației UE de conformitate este disponibil la următoarea adresă internet: www.vaisala.com/declarationofconformity

SK: Vaisala Oyj týmto vyhlasuje, že rádiové zariadenie typu Indigo 202 je v súlade so smernicou 2014/53/EÚ. Úplné EÚ vyhlásenie o zhode je k dispozícii na tejto internetovej adrese: www.vaisala.com/declarationofconformity

SL: Vaisala Oyj potrjuje, da je tip radijske opreme Indigo 202 skladen z Direktivo 2014/53/EU. Celotno besedilo izjave EU o skladnosti je na voljo na naslednjem spletnem naslovu: www.vaisala.com/declarationofconformity

SV: Härmed försäkrar Vaisala Oyj att denna typ av radioutrustning Indigo 202 överensstämmer med direktiv 2014/53/EU. Den fullständiga texten till EU-försäkran om överensstämmelse finns på följande webbadress: www.vaisala.com/declarationofconformity

VAISALA

www.vaisala.com

