

# Spare Part Guide

Vaisala TacMet<sup>®</sup> Tactical Meteorological  
Observation System  
**MAWS201M**



**VAISALA**

PUBLISHED BY

Vaisala Oyj  
Vanha Nurmijärventie 21, FI-01670 Vantaa, Finland  
P.O. Box 26, FI-00421 Helsinki, Finland  
+358 9 8949 1

Visit our Internet pages at [www.vaisala.com](http://www.vaisala.com).

© Vaisala 2020

No part of this document may be reproduced, published or publicly displayed in any form or by any means, electronic or mechanical (including photocopying), nor may its contents be modified, translated, adapted, sold or disclosed to a third party without prior written permission of the copyright holder. Translated documents and translated portions of multilingual documents are based on the original English versions. In ambiguous cases, the English versions are applicable, not the translations.

The contents of this document are subject to change without prior notice.

Local rules and regulations may vary and they shall take precedence over the information contained in this document. Vaisala makes no representations on this document's compliance with the local rules and regulations applicable at any given time, and hereby disclaims any and all responsibilities related thereto.

This document does not create any legally binding obligations for Vaisala towards customers or end users. All legally binding obligations and

agreements are included exclusively in the applicable supply contract or the General Conditions of Sale and General Conditions of Service of Vaisala.

This product contains software developed by Vaisala or third parties. Use of the software is governed by license terms and conditions included in the applicable supply contract or, in the absence of separate license terms and conditions, by the General License Conditions of Vaisala Group.

This product may contain open source software (OSS) components. In the event this product contains OSS components, then such OSS is governed by the terms and conditions of the applicable OSS licenses, and you are bound by the terms and conditions of such licenses in connection with your use and distribution of the OSS in this product. Applicable OSS licenses are included in the product itself or provided to you on any other applicable media, depending on each individual product and the product items delivered to you.

## Table of contents

<b>1.</b>	<b>About this document</b> .....	5
1.1	Version information.....	5
1.2	Related manuals.....	5
1.3	Documentation conventions.....	6
1.4	Trademarks.....	6
<b>2.</b>	<b>Overview</b> .....	7
2.1	Scope.....	7
2.2	MAWS201M layout and cable codes.....	8
2.3	MAWS201M Basic System.....	9
2.4	MAWS201M Enhancement 2.....	11
2.5	MAWS201M radio modem options.....	13
<b>3.</b>	<b>Combined Wind Sensor WMS302M</b> .....	15
3.1	WMS302M spare parts.....	15
<b>4.</b>	<b>Telescopic mast assembly QM30154-MEKASP</b> .....	17
4.1	QM30154-MEKASP spare parts.....	17
<b>5.</b>	<b>Sensor arm assembly QMA102M and HUMICAP Humidity and Temperature Probe HMP155</b> .....	19
5.1	QMA102M spare parts.....	19
5.2	HMP155 spare parts.....	21
<b>6.</b>	<b>Power Distribution Unit QPD101</b> .....	22
6.1	QPD101 spare parts.....	22
<b>7.</b>	<b>Tripod assembly QMASSY201M</b> .....	24
7.1	QMASSY201M spare parts.....	24
7.2	QMASSY201M fasteners.....	26
<b>8.</b>	<b>Handheld Terminal QMD102M</b> .....	29
8.1	QMD102M spare parts.....	29
<b>9.</b>	<b>TacMet laptop TACLAP-PCR</b> .....	30
9.1	TACLAP-PCR spare parts.....	30
<b>10.</b>	<b>Suunto Global Compass MC-2/360G</b> .....	31
10.1	MC-2/360G spare parts.....	31
<b>11.</b>	<b>Ground and foot peg set QMY103MSP</b> .....	32
11.1	QMY103MSP spare parts.....	32
<b>12.</b>	<b>Present Weather Detector PWD22M</b> .....	33
12.1	PWD22M spare parts.....	33
<b>13.</b>	<b>Lightning Detector SA20M-MT</b> .....	34
13.1	SA20M-MT spare parts.....	34
<b>14.</b>	<b>Power Supply Module QMP202SP</b> .....	36
14.1	QMP202SP spare parts.....	36
<b>15.</b>	<b>Ceilometer CL31M</b> .....	37
15.1	CL31M spare parts.....	37
<b>16.</b>	<b>Radio modem set SAT400AWS</b> .....	40
16.1	SAT400AWS spare parts.....	40

- 17. Radio modem set SAT400PC..... 42**
- 17.1 SAT400PC spare parts..... 42
  
- 18. Spare part sets..... 44**
- 18.1 Spare part set 260073 for transit cases..... 44
- 18.2 Spare part set 260075 for transit cases..... 45
- 18.3 Spare part set 260076 for transit cases..... 46
- 18.4 Spare part set ASM212813 for tripod leg hinge..... 47
- 18.5 Spare part set 238485SP for tripod..... 47
- 18.6 O-ring set 240575SP for Alden cable connectors..... 49
- 18.7 Spare part set QMY105M..... 49
  
- 19. Maintenance parts list..... 51**
  
- Warranty..... 53**
  
- Technical support..... 53**
  
- Recycling..... 53**

## List of figures

Figure 1	MAWS201M layout and cable codes.....	8
Figure 2	MAWS201M with Basic System equipment, main components.....	9
Figure 3	MAWS201M with Enhancement 2, main components.....	11
Figure 4	MAWS201M radio modem options.....	13
Figure 5	WMS302M main parts.....	15
Figure 6	QM30154-MEKASP main parts.....	17
Figure 7	QMA102M sensor arm assembly.....	19
Figure 8	HMP155 probe with DTR502.....	21
Figure 9	QPD101 main parts and cable options.....	22
Figure 10	QMASSY201M main parts.....	24
Figure 11	Fasteners used in attaching tripod leg to logger enclosure.....	26
Figure 12	Fasteners used in attaching tripod leg to tripod foot.....	27
Figure 13	Fasteners used in attaching tripod center to leg.....	28
Figure 14	Handheld Terminal QMD102M.....	29
Figure 15	TacMet laptop TACLAP-PCR.....	30
Figure 16	Global Compass MC-2/360G.....	31
Figure 17	QMY103MSP main parts.....	32
Figure 18	PWD22M main parts.....	33
Figure 19	Lightning Detector SA20M-MT.....	34
Figure 20	QMP202SP main parts.....	36
Figure 21	CL31M main parts.....	37
Figure 22	CL31M replaceable parts inside the enclosure.....	38
Figure 23	SAT400AWS main parts.....	40
Figure 24	SAT400PC main parts.....	42
Figure 25	260073 parts.....	44
Figure 26	260075 parts.....	45
Figure 27	260076 parts.....	46
Figure 28	ASM212813 parts.....	47
Figure 29	238485SP parts.....	47
Figure 30	Fastener options for tripod leg types 1 and 2 (included in 238485SP).....	48
Figure 31	240575SP parts.....	49

## List of tables

Table 1	Document version (English).....	5
Table 2	Related manuals.....	5
Table 3	MAWS201M maintenance levels.....	7
Table 4	Main components of MAWS201M Basic System.....	9
Table 5	Main components of MAWS201M Enhancement 2.....	11
Table 6	MAWS201M radio modem options.....	14
Table 7	Available WMS302M spare parts.....	16
Table 8	Available QM30154-MEKASP spare parts.....	18
Table 9	Available QMA102M spare parts.....	20
Table 10	Available HMP155 spare parts.....	21
Table 11	Available QPD101 spare parts.....	22
Table 12	Available QMASSY201M spare parts.....	25
Table 13	Available QMD102M spare parts.....	29
Table 14	Available TACLAP-PCR spare parts.....	30
Table 15	Available MC-2/360G spare parts.....	31
Table 16	Available QMY103MSP spare parts.....	32
Table 17	Available PWD22M spare parts.....	33
Table 18	Available SA20M-MT spare parts.....	34
Table 19	Available QMP202SP spare parts.....	36
Table 20	Available CL31M spare parts.....	38
Table 21	Available SAT400AWS spare parts.....	40
Table 22	Available SAT400PC spare parts.....	43
Table 23	Spare part set 260073 for transit cases.....	44
Table 24	Spare part set 260075 for transit cases.....	45
Table 25	Spare part set 260076 for transit cases.....	46
Table 26	Fixing screw set ASM212813 for tripog leg hinge.....	47
Table 27	Spare part set 238485SP for tripod.....	47
Table 28	O-ring set 240575SP for Alden cable connectors.....	49
Table 29	Spare part set QMY105M.....	49
Table 30	Available spare parts for maintenance tasks.....	51

# 1. About this document

## 1.1 Version information

This document provides information on the spare parts available for Vaisala TacMet® Tactical Meteorological Observation System MAWS201M.

Table 1 Document version (English)

Document code	Date	Description
M212018EN-B	July 2020	<p>Several NSN codes have been added.</p> <p>The order code for antenna storage bag (26224) has been corrected.</p> <p>The order code for protective canvas for QMP202 (DRW246329) has been added.</p> <p>The following spare part sets have been added:</p> <ul style="list-style-type: none"> <li>• Support bar set and fasteners for the tripod</li> <li>• Wheels and toggle latches for transit cases</li> <li>• Fixing screw set for tripod leg hinge</li> </ul>
M212018EN-A	June 2018	First version.

## 1.2 Related manuals

Table 2 Related manuals

Document code	Name
M010082EN	<i>Vaisala HydroMet™ Automatic Weather Station MAWS201 User Guide</i>
M212018EN	<i>Vaisala TacMet® Tactical Meteorological Observation System MAWS201M Spare Part Guide</i>
M210375EN	<i>Vaisala Combined Wind Sensor WMS301 and WMS302 User's Guide</i>
M210912EN	<i>Vaisala HUMICAP® Humidity and Temperature Probe HMP155 User's Guide</i>
M211095EN	<i>Vaisala WINDCAP® Ultrasonic Wind Sensor Series WMT700 User Guide</i>
M210543EN	<i>Vaisala Present Weather Detector PWD22/52 User's Guide</i>
M211355EN	<i>Vaisala Ceilometer CL31M User's Guide</i>
M211109EN	<i>Vaisala AviMet® Wind Panel Display WID511 User Guide</i>
M211773EN	<i>Vaisala AviMet® Wind Panel Display WID511 for TacMet MAWS Technical Reference</i>
M211658EN	<i>Vaisala Data Panel Display WID512 User Guide</i>
M211635EN	<i>Vaisala TacMet® Weather Station AviMet® Display AWW105 User Guide</i>
M210842EN	<i>Vaisala AviMet® Synoptic Observations Software SYNOP User Guide</i>

Document code	Name
-	Labkotec LID-3300IP Ice Detector Installation and Operating Instructions

## 1.3 Documentation conventions



**WARNING! Warning** alerts you to a serious hazard. If you do not read and follow instructions carefully at this point, there is a risk of injury or even death.



**CAUTION! Caution** warns you of a potential hazard. If you do not read and follow instructions carefully at this point, the product could be damaged or important data could be lost.



**Note** highlights important information on using the product.



**Tip** gives information for using the product more efficiently.



Lists tools needed to perform the task.



Indicates that you need to take some notes during the task.

## 1.4 Trademarks

Vaisala®, AviMet®, BAROCAP®, HUMICAP®, and TacMet® are registered trademarks of Vaisala Oyj.

All other product or company names that may be mentioned in this publication are trade names, trademarks, or registered trademarks of their respective owners.



## 2. Overview

### 2.1 Scope

This document provides illustrated spare part lists for Vaisala TacMet Weather Station MAWS201M. The information on the available spare parts is listed separately for each of the main components.

The spare parts lists contain the following information:

- Vaisala product code: refer to this code when ordering parts from Vaisala
- Common name of the spare part
- NSN: NATO Stock Number
- Maintenance level: See [Table 3 \(page 7\)](#)
- Quantity of the parts in the system



The spare part lists in this document cover the basic MAWS201M system and Enhancement 2: Present Weather Sensors. For more information on MAWS201M, see *Vaisala TacMet® Tactical Meteorological Observation System MAWS201M User Guide*.

Depending on the complexity of the maintenance task associated with the spare part, a spare part can be intended for either user-level maintenance (field maintenance) or maintenance crew use. The maintenance level is defined in the spare parts lists.

**Table 3** MAWS201M maintenance levels

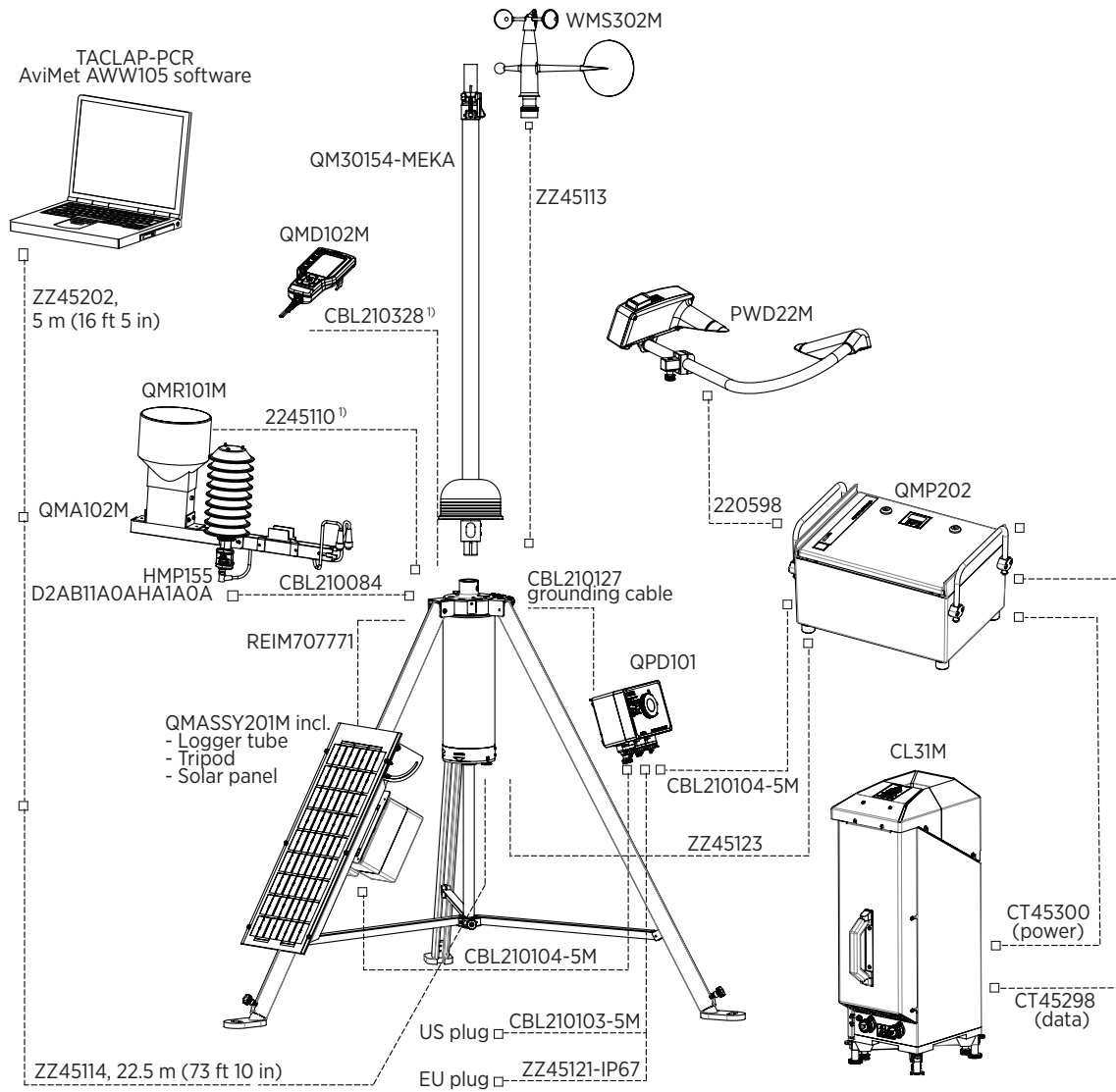
User crew level	Maintenance crew level
Level 1	Level 2
Field maintenance actions	Sustainment maintenance actions
On-system	Off-system
Plug and play	Disassemble/Assemble
Fewer tools required	Wide variety of tools in use
Replace	Repair



Some cases may require factory maintenance (level 3).

## 2.2 MAWS201M layout and cable codes

The following figure shows the layout and cabling of MAWS201M equipped (in addition to basic system equipment) with the present weather detector PWD22M, ceilometer CL31M, and TACLAP-PCR.



1) Part of the next level assembly.

Figure 1 MAWS201M layout and cable codes

The following cables are available for the SATEL radio option:

- DRW243363 (computer end)
- DRW243368 (weather station end)

For more information about cables ZZ45202 and ZZ45114, see [MAWS201M Basic System \(page 9\)](#).

# 2.3 MAWS201M Basic System

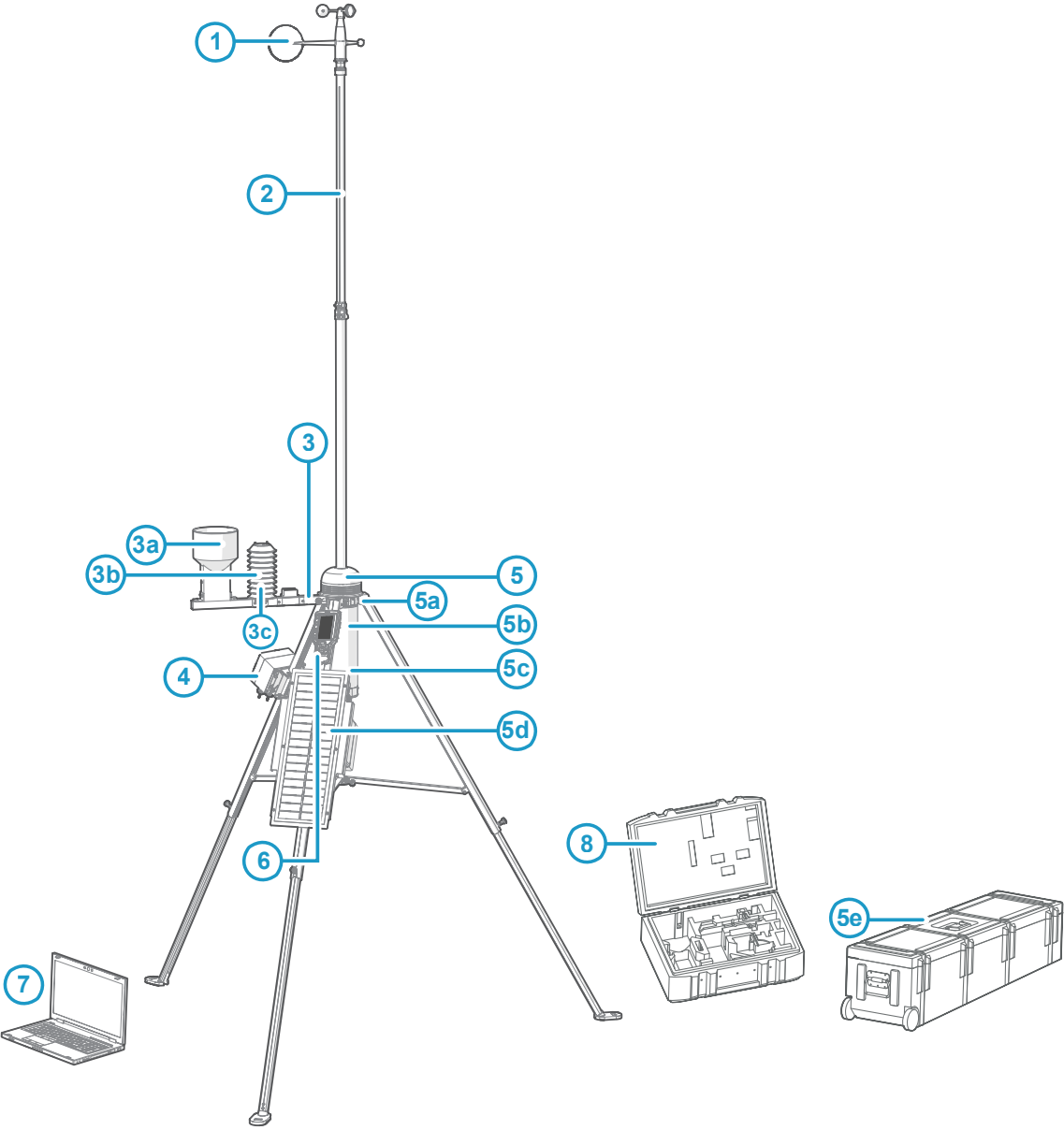


Figure 2 MAWS201M with Basic System equipment, main components

Table 4 Main components of MAWS201M Basic System

Number in figure	Code	Component name and link	NSN code
-	-	MAWS201M Basic System	6660-22-309-2921
1	WMS302M	Combined Wind Sensor, see <a href="#">WMS302M spare parts (page 15)</a> .	6660-99-378-7075

Number in figure	Code	Component name and link	NSN code
2	QM30154-MEKASP	Telescopic mast assembly, see <a href="#">QM30154-MEKASP spare parts (page 17)</a> .	5985-58-000-6687
3	QMA102M	Sensor arm assembly, see <a href="#">QMA102M spare parts (page 19)</a> .	6660-99-147-5309
3a	QMR101M	Rain Gauge, see <a href="#">QMA102M spare parts (page 19)</a> .	6660-01-507-5716
3b	DTR502	Radiation shield, see <a href="#">QMA102M spare parts (page 19)</a> .	-
3c	HMP155D2AB11 A0A0A1A0A	HUMICAP Humidity and Temperature Probe HMP155 with cable for MAWS201M (inside DTR502 radiation shield), see <a href="#">HMP155 spare parts (page 21)</a> .	6660-58-000-2016
4	QPD101	Power Distribution Unit, see <a href="#">QPD101 spare parts (page 22)</a> .	6150-01-504-7741
5	QMASSY201M	Tripod assembly with QME101M, QTR102, and QMP201, see <a href="#">QMASSY201M spare parts (page 24)</a> .	-
5a	QM30206SP	Telescope legs assembly, see <a href="#">QMASSY201M spare parts (page 24)</a> .	6660-01-625-4088
5b	QME101M-MEKA	Enclosure for MAWS201M, QME101M without QML data logger, see <a href="#">QMASSY201M spare parts (page 24)</a> .	5999-58-000-6686
5c	QML201T	QML data logger for MAWS201M (inside QME101M enclosure), see <a href="#">QMASSY201M spare parts (page 24)</a> .	5998-01-541-9243
5d	QMP201	Solar/Mains Power Supply Unit, see <a href="#">QMASSY201M spare parts (page 24)</a> .	6117-99-167-4873
5e	QTR102SP	Transit case for basic system, tripod, see <a href="#">QMASSY201M spare parts (page 24)</a> .	8145-99-665-5093
6	QMD102M	Handheld Terminal, see <a href="#">QMD102M spare parts (page 29)</a> .	7025-58-000-8661
7	TACLAP-PCR	AviMet computer, see <a href="#">TACLAP-PCR spare parts (page 30)</a> .	-
8	QTR101SP	Transit case for basic system sensors	8145-99-836-3970
-	19772	Suunto Global Compass MC-2/360G, see <a href="#">MC-2/360G spare parts (page 31)</a> .	6605-25-149-1938
-	QMY103MSP	Set of ground and foot pegs with bag, see <a href="#">QMY103MSP spare parts (page 32)</a> .	5975-13-118-8037
-	ZZ45202	Computer - MAWS201M cable	6150-99-215-1114
-	ZZ45114	Landline cable for the computer and handheld terminal	5995-99-616-1511

# 2.4 MAWS201M Enhancement 2

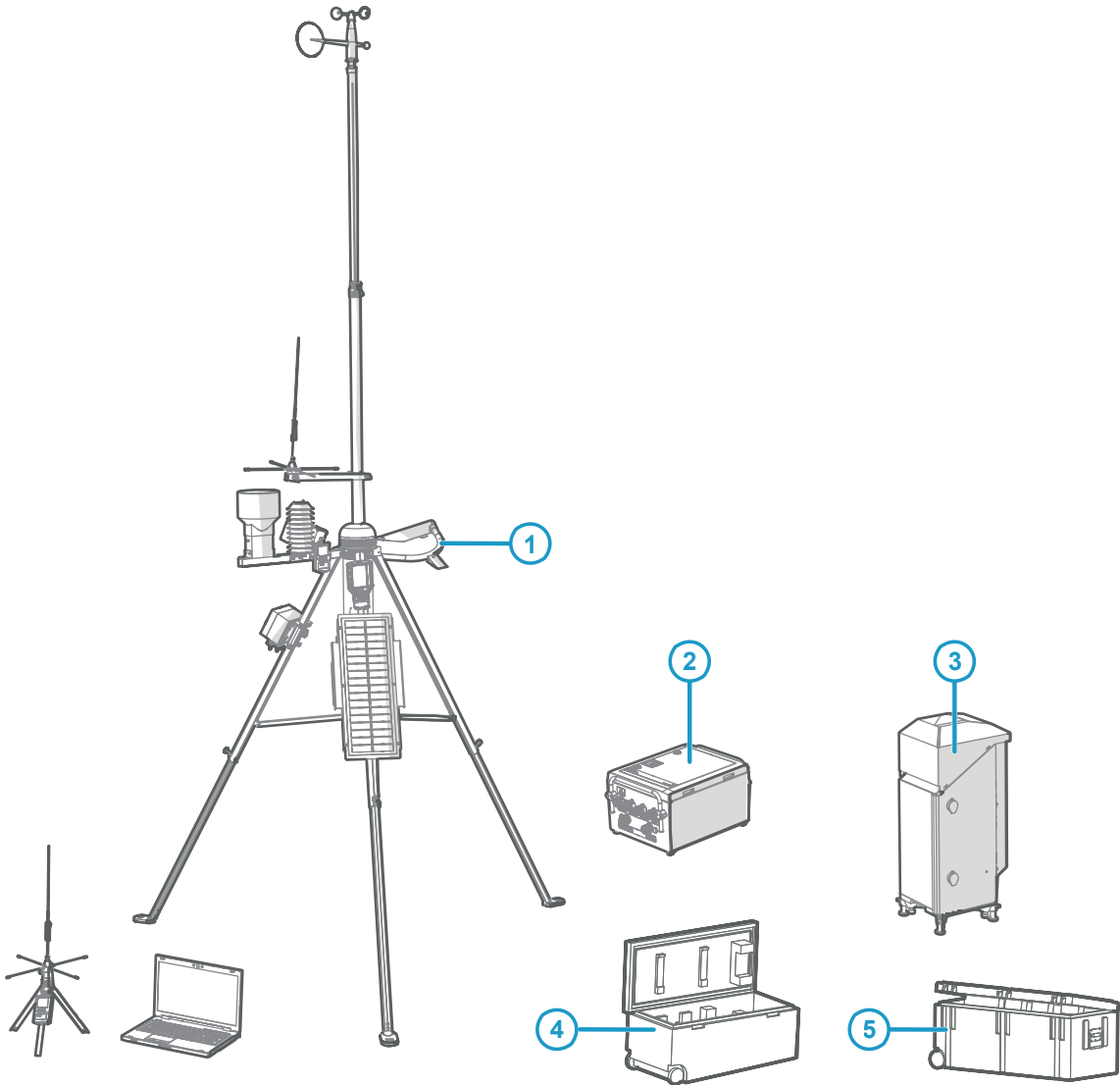


Figure 3 MAWS201M with Enhancement 2, main components

Table 5 Main components of MAWS201M Enhancement 2

Number in figure	Code	Component name and link	NSN code
-	ENCH1	MAWS201M Enhancement 2	6625-58-001-3723
1	PWD22M	Present Weather Detector, see <a href="#">PWD22M spare parts (page 33)</a> .	6660-17-118-6142 1
2	QMP202	Power Supply Module, see <a href="#">QMP202SP spare parts (page 36)</a> .	6130-22-309-2926

Number in figure	Code	Component name and link	NSN code
3	CL31M-C	Portable Ceilometer, see <a href="#">CL31M spare parts (page 37)</a> .	6660-22-309-2925
4	QTR104 / QTR104SP	Transit case for portable ceilometer	6660-01-504-5577
5	QTR105 / QTR105SP	Transit case for PWD22M and QMP202	6660-01-504-5578

# 2.5 MAWS201M radio modem options

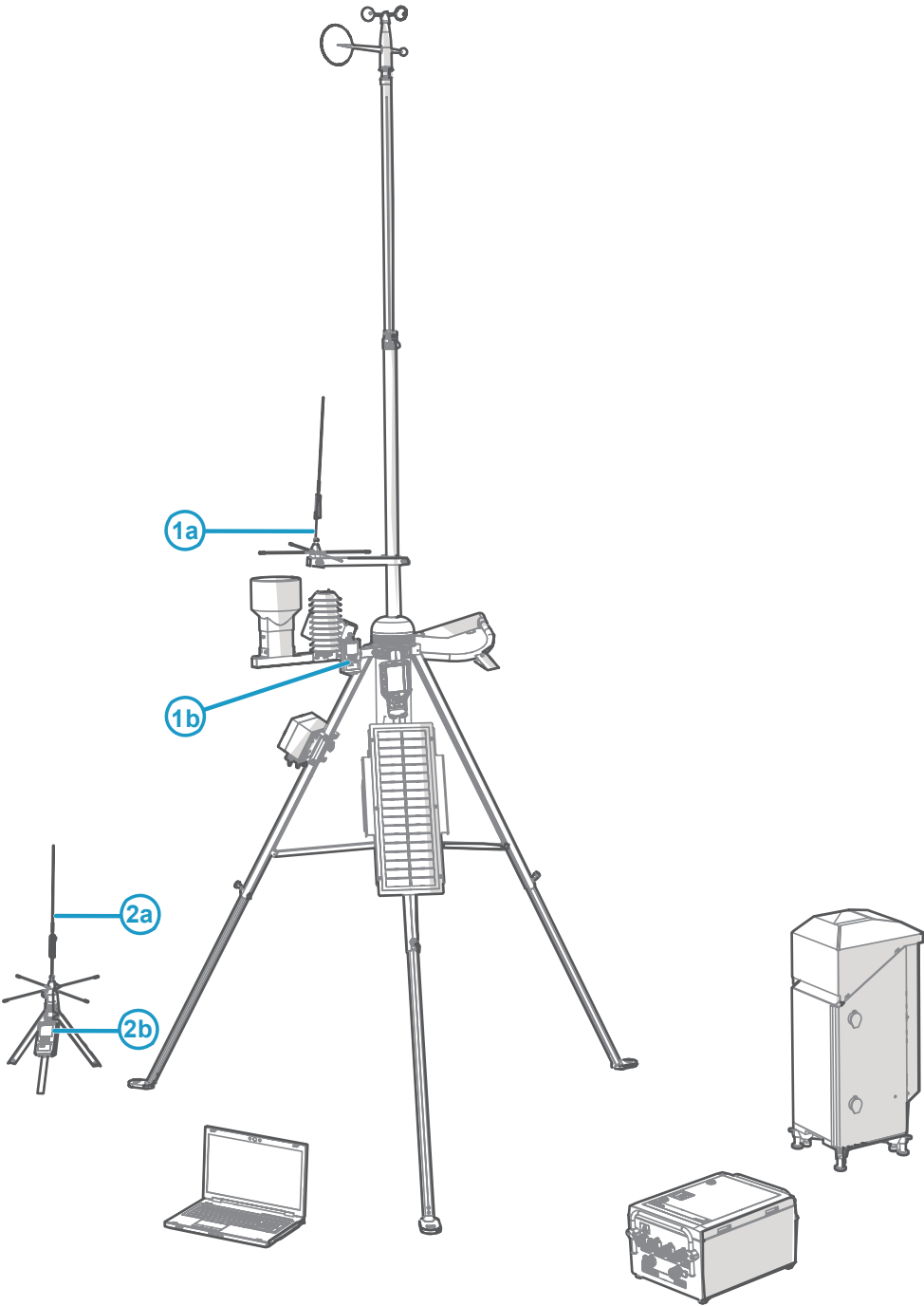


Figure 4 MAWS201M radio modem options

Table 6 MAWS201M radio modem options

Number in figure	Code	Component name and link
1	SAT400AWS	Radio modem set, see <a href="#">SAT400AWS spare parts (page 40)</a> .
1a	SAT400ASET	UHF antenna assembly
1b	23503	SATELLINE-EASy UHF radio modem
2	SAT400PC	Radio modem set, see <a href="#">SAT400PC spare parts (page 42)</a> .
2a	SAT400ASET	UHF antenna assembly
2b	23503	SATELLINE-EASy UHF radio modem



# 3. Combined Wind Sensor WMS302M

## 3.1 WMS302M spare parts

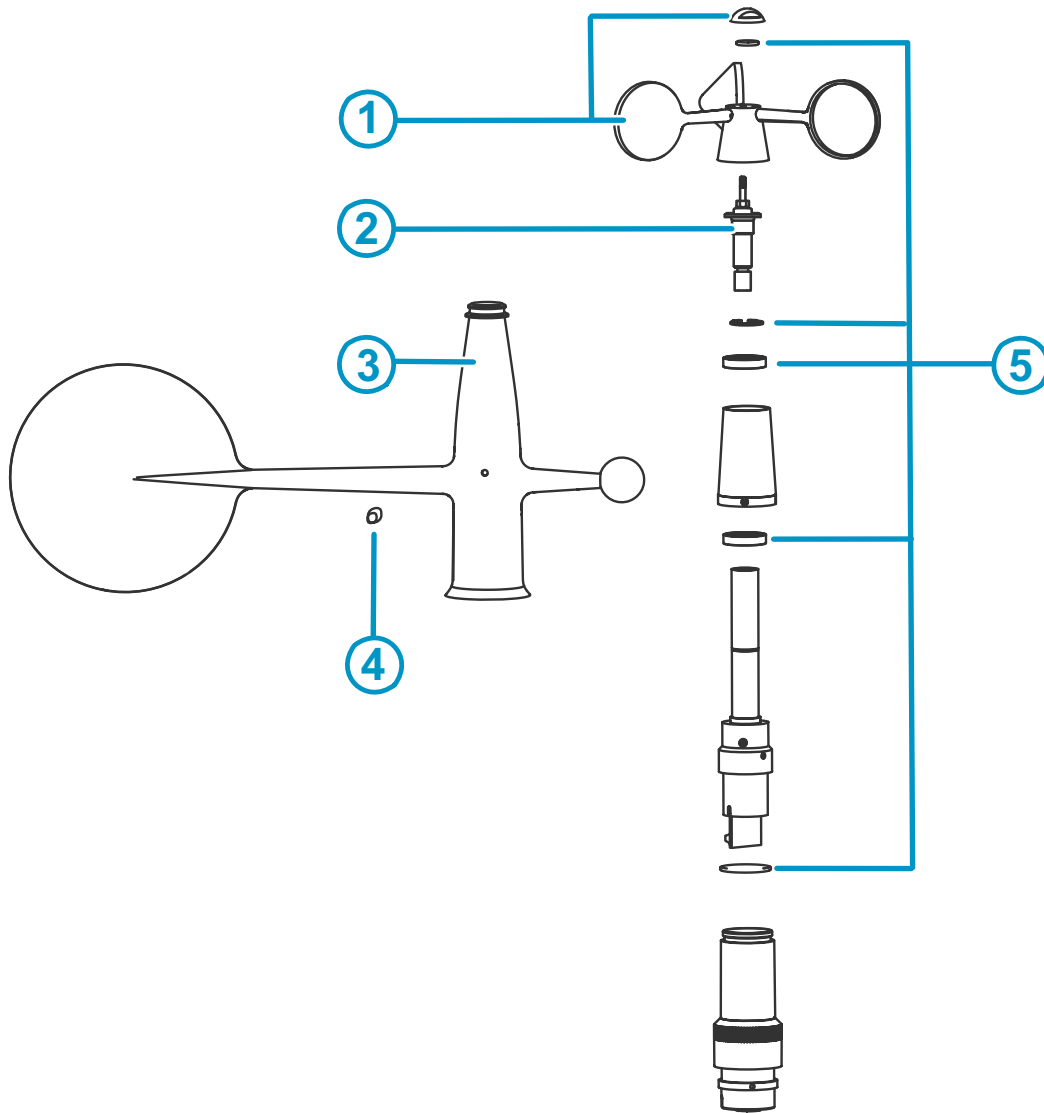


Figure 5 WMS302M main parts

Table 7 Available WMS302M spare parts

Number in figure	Order code	Common name	NSN code	Maint. level	Pcs in system
-	WMS302M	Combined Wind Sensor, MAWS201M	6660-99-378-7075	1	1
1	WA45233SP	Cup wheel assembly	-	2	1
2	WA45232SP	Anemometer bearings assembly	3110-15-157-5101	2	1
3	WA35370	Vane assembly	-	2	1
4	-	WMS302M fastener screw M4×4 DIN914 A4	-	-	1
5	25160WA	Set of vane spares (ball bearing, O-rings, retainer ring)	3110-15-157-5100	2	-

## 4. Telescopic mast assembly QM30154-MEKASP

### 4.1 QM30154-MEKASP spare parts

Figure 6 QM30154-MEKASP main parts

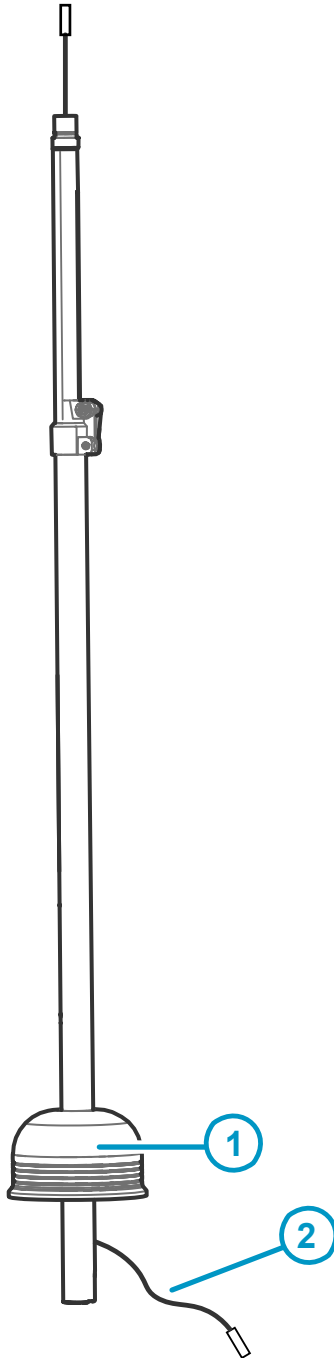


Table 8 Available QM30154-MEKASP spare parts

Number in figure	Order code	Common name	NSN code	Maint. level	Pcs in system
-	QM30154-MEKASP	Telescopic mast assembly	5985-58-000-6687	1	1
1	QM40155	Protecting cover	-	1	1
2	ZZ45113	Wind cable	6150-01-564-3398	1	1

# 5. Sensor arm assembly QMA102M and HUMICAP Humidity and Temperature Probe HMP155

## 5.1 QMA102M spare parts

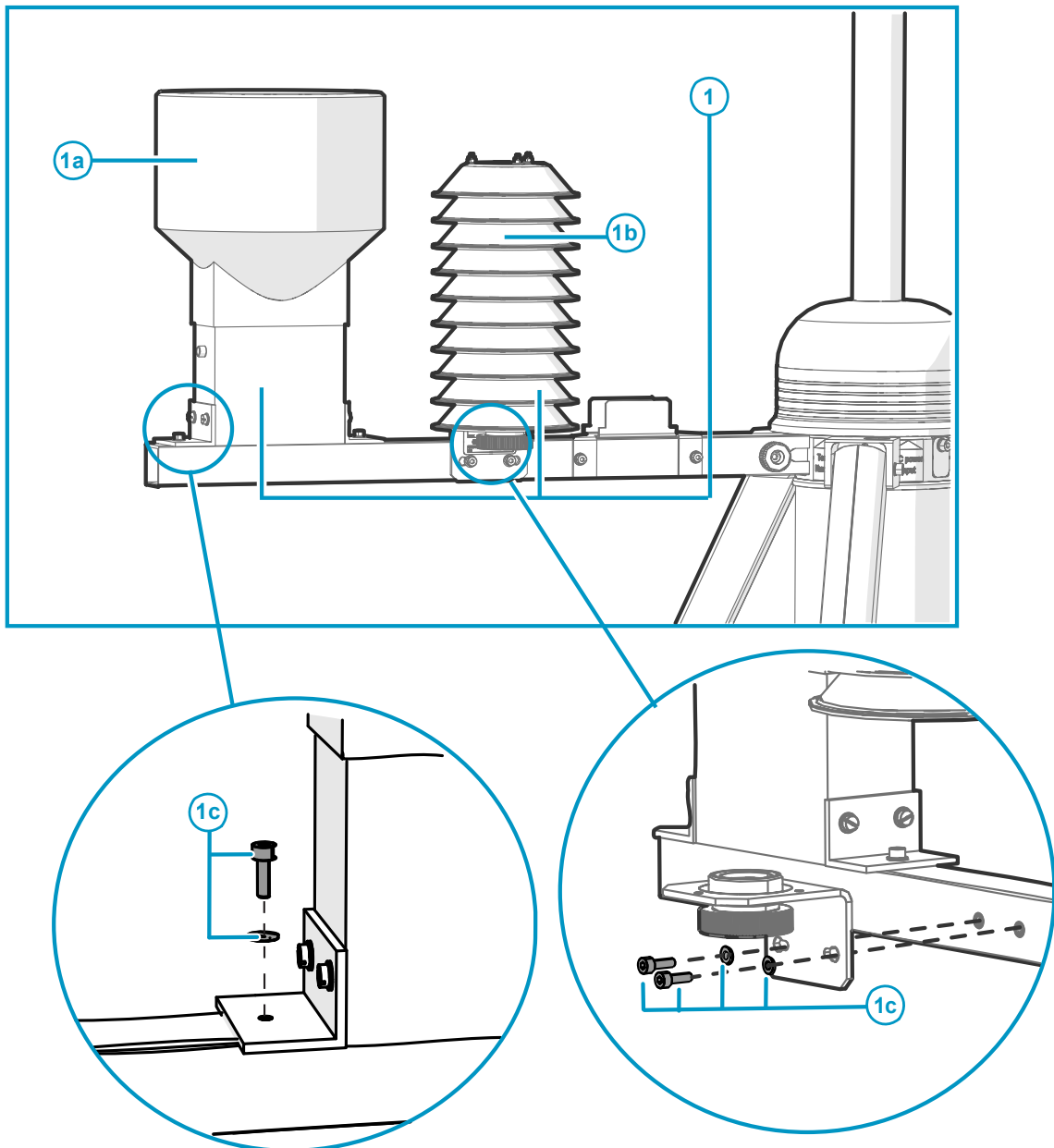


Figure 7 QMA102M sensor arm assembly

Table 9 Available QMA102M spare parts

Number in figure	Order code	Common name	NSN code	Maint. level	Pcs in system
1	QMA102M	Sensor arm assembly	6660-99-147-5309	1	1
1a	QMR101M	Rain gauge	6660-01-507-5716	2	1
1b	DTR502	Radiation shield (contains HUMICAP Humidity and Temperature Probe HMP155; see <a href="#">HMP155 spare parts (page 21)</a> )	-	2	1
1c	-	Screw M4×12 DIN912 A4 Washer A4,3 DIN125 A4	-	-	4 each

## 5.2 HMP155 spare parts

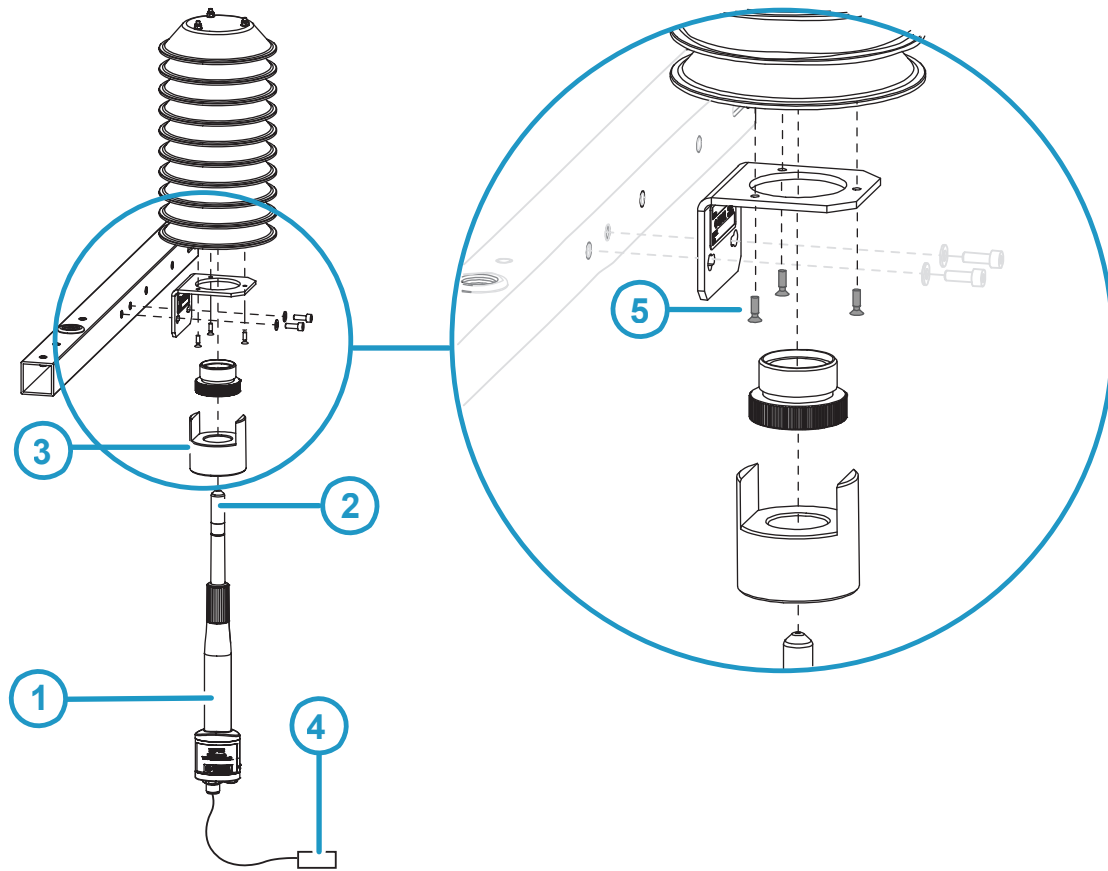


Figure 8 HMP155 probe with DTR502

Table 10 Available HMP155 spare parts

Number in figure	Order code	Common name	NSN code	Maint. level	Pcs in system
1	HMP155D2AB11 AOAOA1A0A	HUMICAP Humidity and Temperature Probe HMP155, without cable for MAWS201M	6660-58-000-2016	1	1
2	219452SP	Porous PTFE filter	4130-58-000-5779	1	1
3	DRW245810	Spacer bushing for installing HMP155 to DTR502	-	1	1
4	CBL210084SP	Sensor cable for HMP155 / MAWS201M	5995-01-631-4299	1	1
5	-	Crosshead screw, M3×10 DIN965 PZ A4	-	-	3

# 6. Power Distribution Unit QPD101

## 6.1 QPD101 spare parts

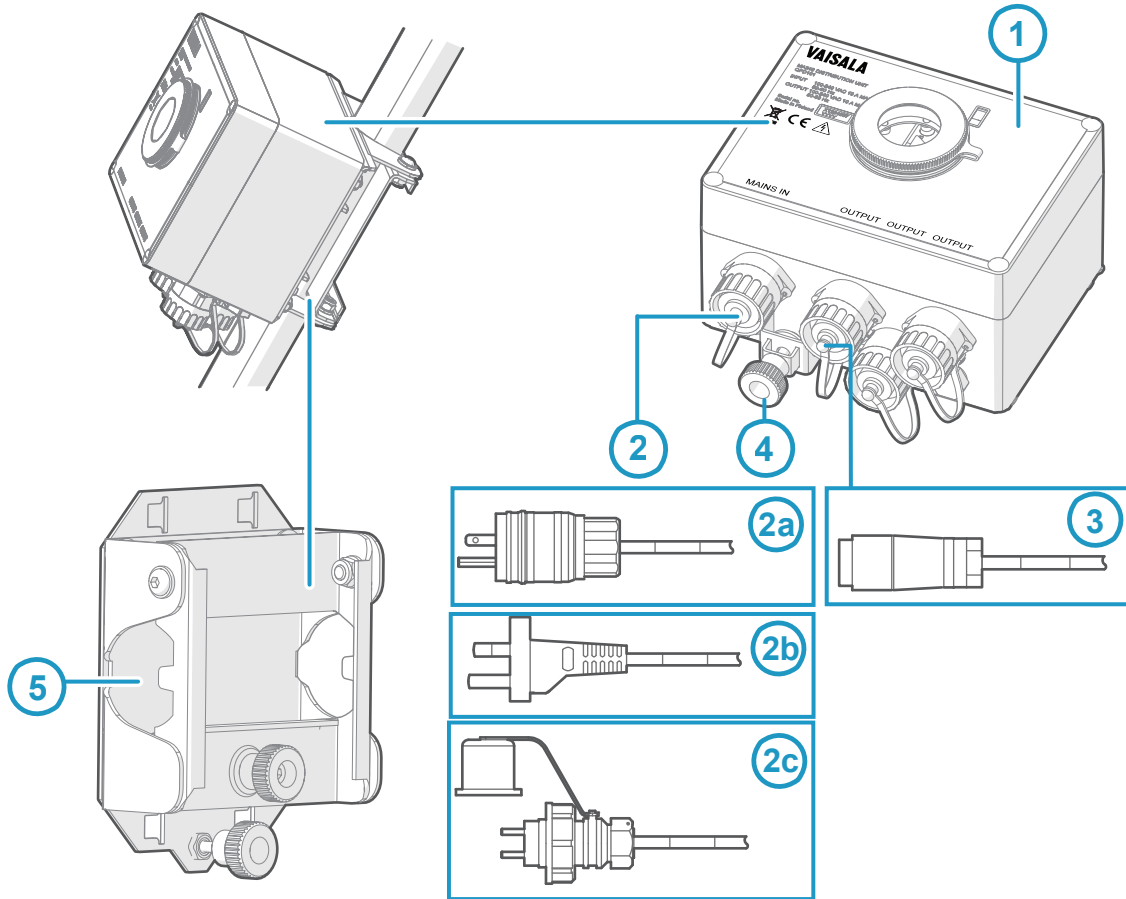


Figure 9 QPD101 main parts and cable options

Table 11 Available QPD101 spare parts

Number in figure	Order code	Common name	NSN code	Maint. level	Pcs in system
-	QPD101SP	Power Distribution Unit QPD101	6150-01-504-7741	1	1
1	ASM210291	Enclosure assembly	-	1	1



Number in figure	Order code	Common name	NSN code	Maint. level	Pcs in system
2a	CBL210103-5M	AC (mains) cable with US plug, Amphenol, 5 m (16 ft 5 in)	6150-58-000-7251	1	1
2b	CBL210584	AC (mains) cable with AUS plug, 3 m (9 ft 10 in)	-	1	1
2c	ZZ45121-IP67	AC (mains) cable with EUR plug	6150-01-504-7738	1	1
3	CBL210104-5M	AC (mains) out cable, Amphenol 3+PE F/M	6150-58-000-7253	1	1
4	CBL210127	Grounding wire	-	1	1
5	ASM210283	Enclosure fastener	-	1	1

# 7. Tripod assembly QMASSY201M

## 7.1 QMASSY201M spare parts

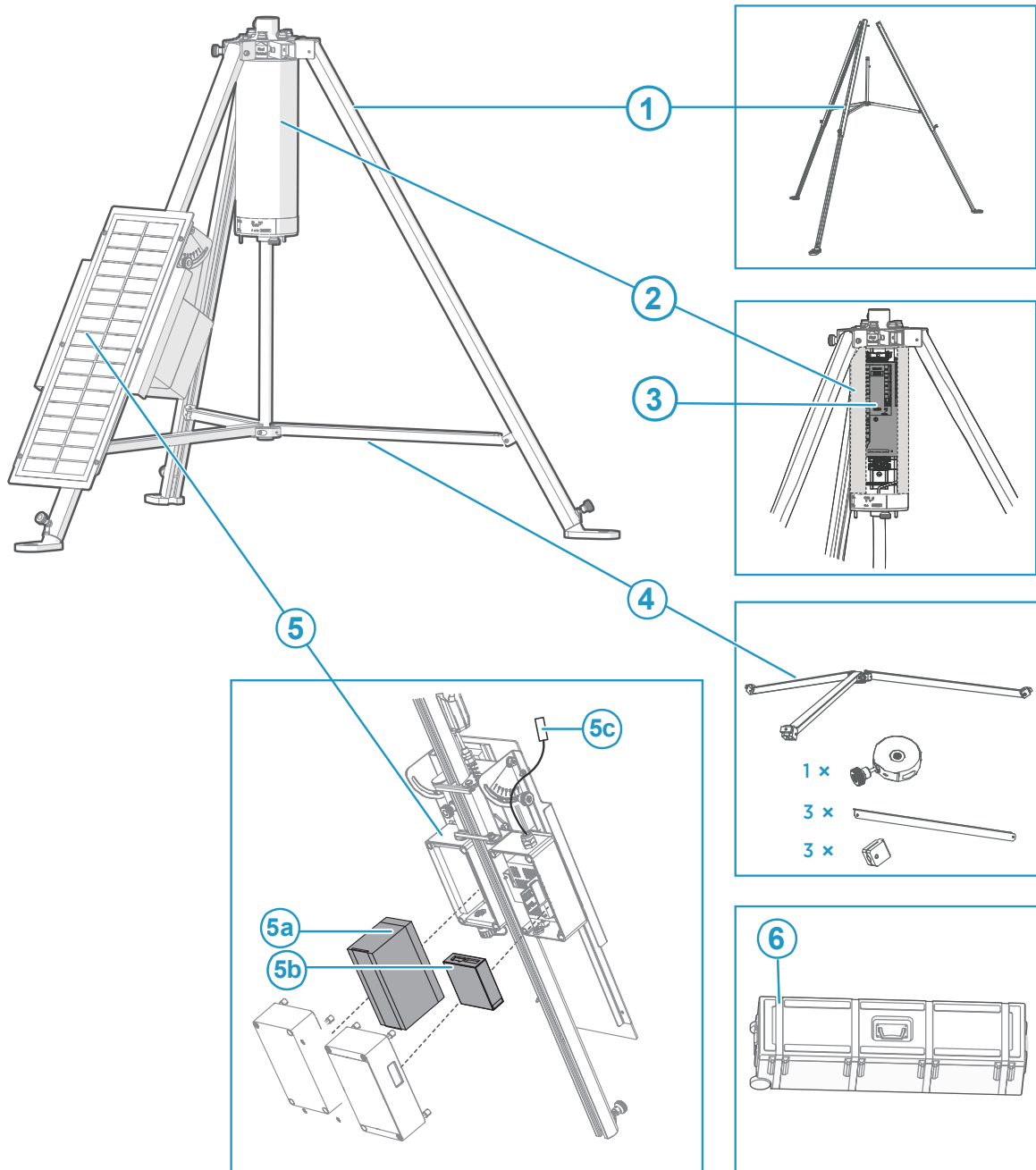


Figure 10 QMASSY201M main parts

Table 12 Available QMASSY201M spare parts

Number in figure	Order code	Common name	NSN code	Maint. level	Pcs in system
-	QMASSY201M	Tripod assembly with QME101M, QTR102, and QMP201. Includes: <ul style="list-style-type: none"> <li>• QM30206SP</li> <li>• QME101M-MEKA</li> <li>• QML201T</li> <li>• QMP201</li> <li>• REIM707771</li> <li>• QTR102SP</li> </ul>	-	1	1
1	QM30206SP	Telescope legs assembly. Includes: <ul style="list-style-type: none"> <li>• Telescopic legs (3 pcs)</li> <li>• Hinge (3 pcs)</li> <li>• ASM211491 support bar set and sliding tube (1 pc)</li> </ul>	6660-01-625-4088	2	1
2	QME101M-MEKA	Logger enclosure, without logger	5999-58-000-6686	2	1
3	QML201T	QML data logger	5998-01-541-9243	1	1
4	ASM211491SP	Support bar set. Includes: <ul style="list-style-type: none"> <li>• Locking ring assembly (1 pc)</li> <li>• T-bars (3 pcs)</li> <li>• Leg attachments (3 pcs)</li> <li>• Screws</li> </ul>	-	1	1
5	QMP201	Solar/Mains Power Supply. Includes: <ul style="list-style-type: none"> <li>• 4017</li> <li>• QBR101C</li> </ul>	6117-99-167-4873	1	1
5a	4017	Rechargeable battery, 12 V 7 Ah	6140-01-515-4694	2	1
5b	QBR101C	Battery regulator	-	2	1
5c	REIM707771	DC power input cable	-	2	1
6	QTR102SP	Transit case for tripod, basic system	8145-99-665-5093	1	1
-	238485SP	Spare part set. Includes: <ul style="list-style-type: none"> <li>• Finger screws</li> <li>• O-rings</li> <li>• U-springs</li> <li>• Washers</li> <li>• Protective cover</li> </ul> See <a href="#">Spare part set 238485SP for tripod (page 47)</a> .	-	2	-

Number in figure	Order code	Common name	NSN code	Maint. level	Pcs in system
-	ASM212813	Fixing screw set. Includes: <ul style="list-style-type: none"> <li>• Special screws</li> <li>• Flat washers</li> </ul>	-	2	-

## 7.2 QMASSY201M fasteners

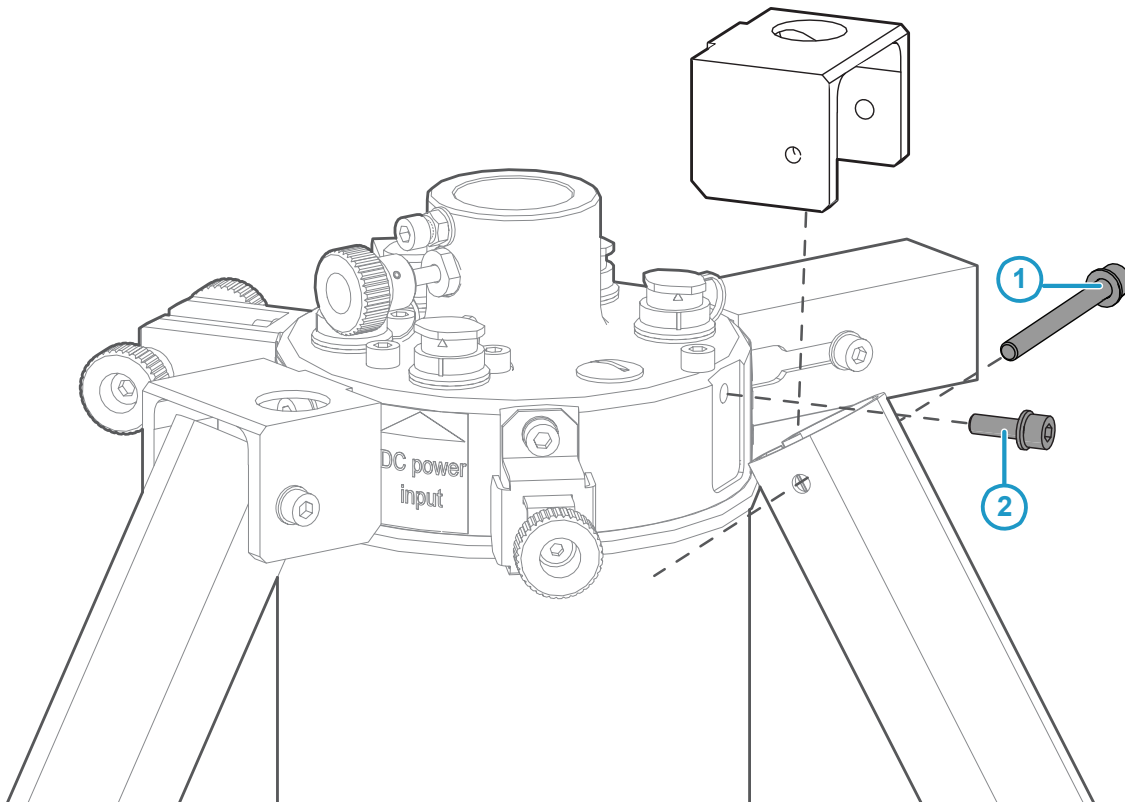


Figure 11 Fasteners used in attaching tripod leg to logger enclosure

- 1 Fixing screw set, see [Spare part set ASM212813 for tripod leg hinge \(page 47\)](#)
- 2 Hex screw M5×16 DIN912 A4 (3 pcs) and flat washer A5,3 DIN125 A4 (3 pcs)

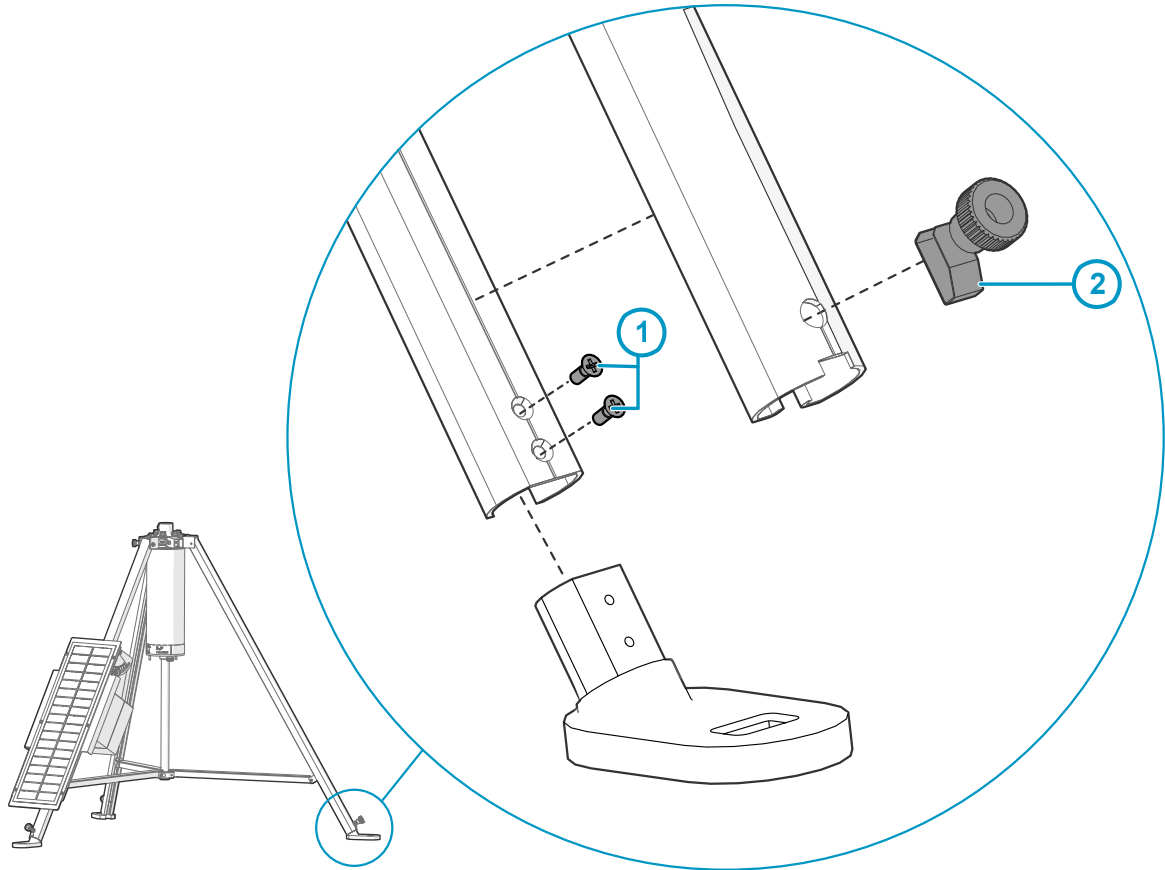


Figure 12 Fasteners used in attaching tripod leg to tripod foot

- 1 Crosshead screw M4×10 DIN965 PZ A4 (6 pcs)
- 2 Finger screw and U-spring for tripod leg type 2 (part of 238485SP, see [Spare part set 238485SP for tripod \(page 47\)](#))

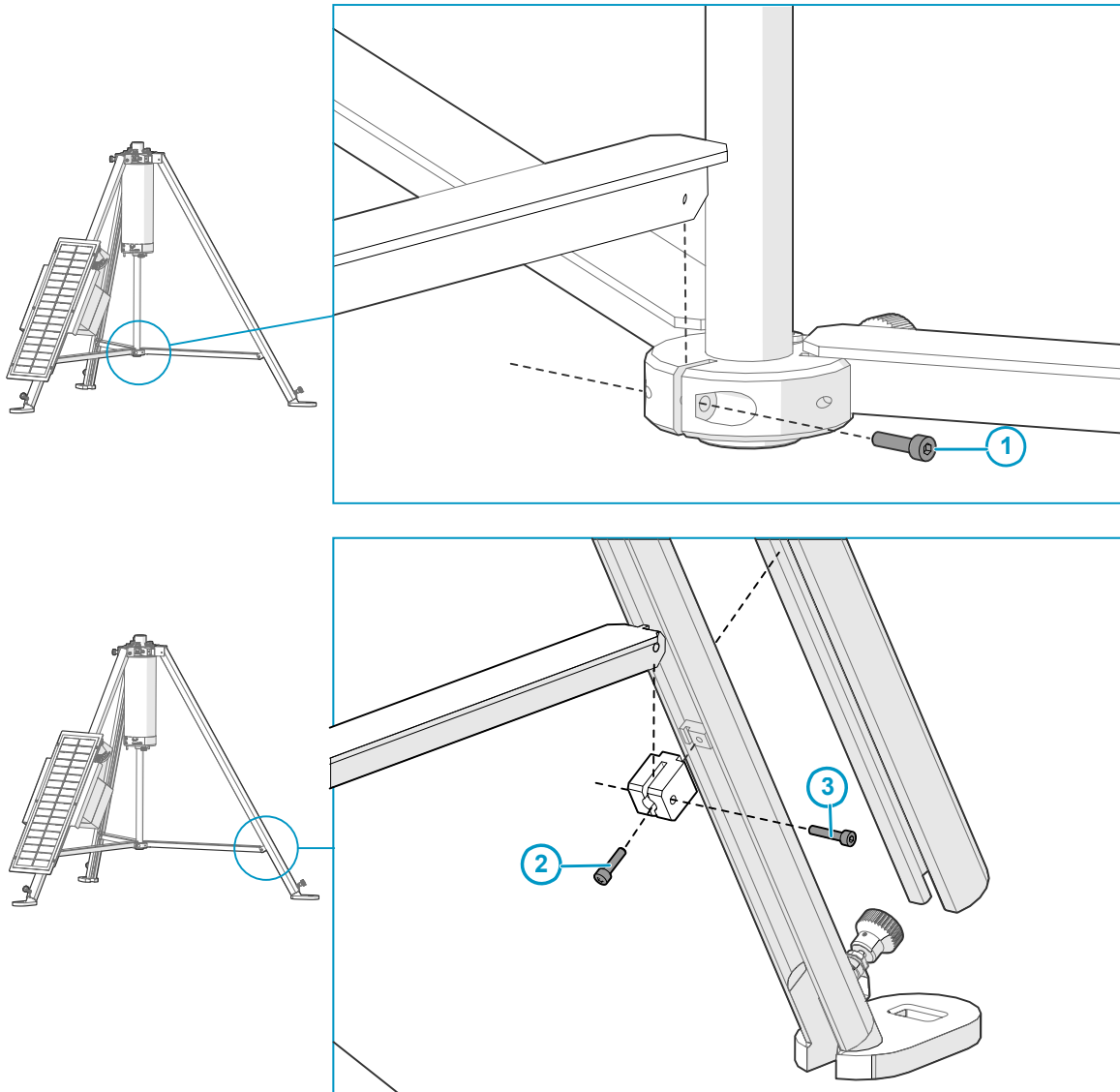


Figure 13 Fasteners used in attaching tripod center to leg

- 1 Hex screw M4×16 DIN912 A4 (3 pcs)
- 2 Hex screw M4×16 DIN912 A4 (3 pcs)
- 3 Hex screw M4×16 DIN912 A4 (3 pcs)

## 8. Handheld Terminal QMD102M

### 8.1 QMD102M spare parts



QMD102M has no field-serviceable parts. In case of device failure, replace the entire unit.

Figure 14 Handheld Terminal QMD102M

Table 13 Available QMD102M spare parts

Order code	Common name	NSN code	Maint. level	Pcs in system
QMD102M	Handheld Terminal	7025-58-000-8661	1	1

# 9. TacMet laptop TACLAP-PCR

## 9.1 TACLAP-PCR spare parts

The MAWS201M weather station can be connected to a dedicated laptop (TACLAP-PCR) that runs the Vaisala AviMet software.

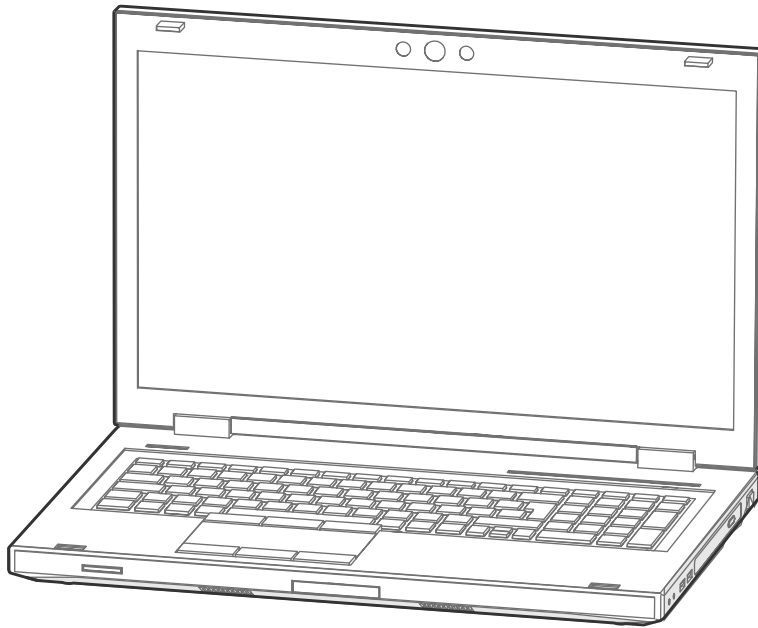


Figure 15 TacMet laptop TACLAP-PCR

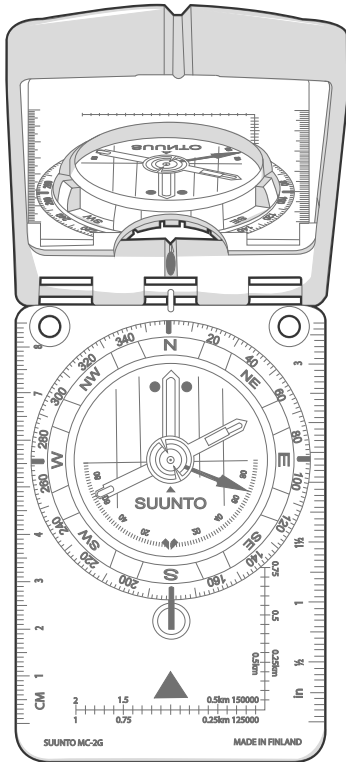
Table 14 Available TACLAP-PCR spare parts

Order code	Common name	NSN code	Maint. level	Pcs in system
TACLAP-PCR	AviMet computer (laptop with AviMet software pre-installed)	-	1	1
242547	Bag for 17" laptop	-	1	1
250755	External DVD drive, USB	-	1	1
TACMETAVIMETCD	CD containing Vaisala AviMet software (AWW105)	-	1	1



# 10. Suunto Global Compass MC-2/360G

## 10.1 MC-2/360G spare parts



The MC-2/360G compass is used to orient the MAWS201M station.

Figure 16 Global Compass MC-2/360G

Table 15 Available MC-2/360G spare parts

Order code	Common name	NSN code	Maint. level	Pcs in system
19772	Global Compass MC-2/360G	6605-25-149-1938	1	1

# 11. Ground and foot peg set QMY103MSP

## 11.1 QMY103MSP spare parts

The QMY103MSP ground and foot peg set contains a hammer and 3 rods for anchoring MAWS201M to the ground.

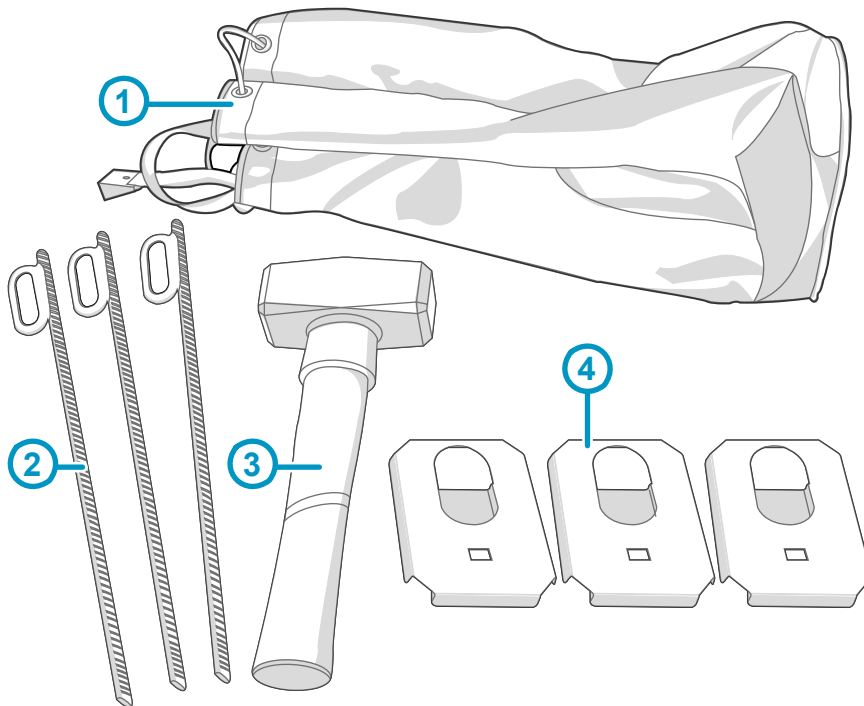


Figure 17 QMY103MSP main parts

Table 16 Available QMY103MSP spare parts

Number in figure	Order code	Common name	NSN code	Maint. level	Pcs in system
-	QMY103MSP	Set of ground and foot pegs with bag	5975-13-118-8037	1	1
1	DRW243628	Bag	-	1	1
2	QM40142	Rod for MAWS201M	4030-99-833-0421	1	3
3	25926	Hammer, 1 kg (2 lb)	5120-01-507-3491	1	1
4	-	Foot peg	-	1	3

# 12. Present Weather Detector PWD22M

## 12.1 PWD22M spare parts

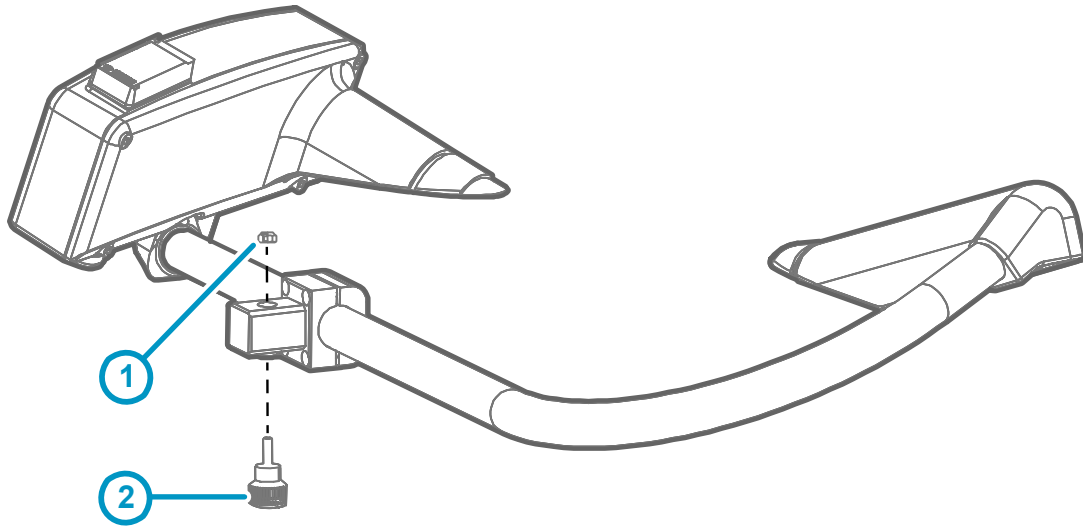


Figure 18 PWD22M main parts

Table 17 Available PWD22M spare parts

Number in figure	Order code	Common name	NSN code	Maint. level	Pcs in system
-	PWD22M	Present Weather Detector	6660-17-118-6142	1	1
Not shown	220598	Data/DC cable assembly for PWD22M	6150-58-000-8393	1	1
1	-	Nyloc nut M5 DIN985 A4	-	-	1
2	19910	Thumb screw M5×15 A4	-	-	1

# 13. Lightning Detector SA20M-MT

## 13.1 SA20M-MT spare parts

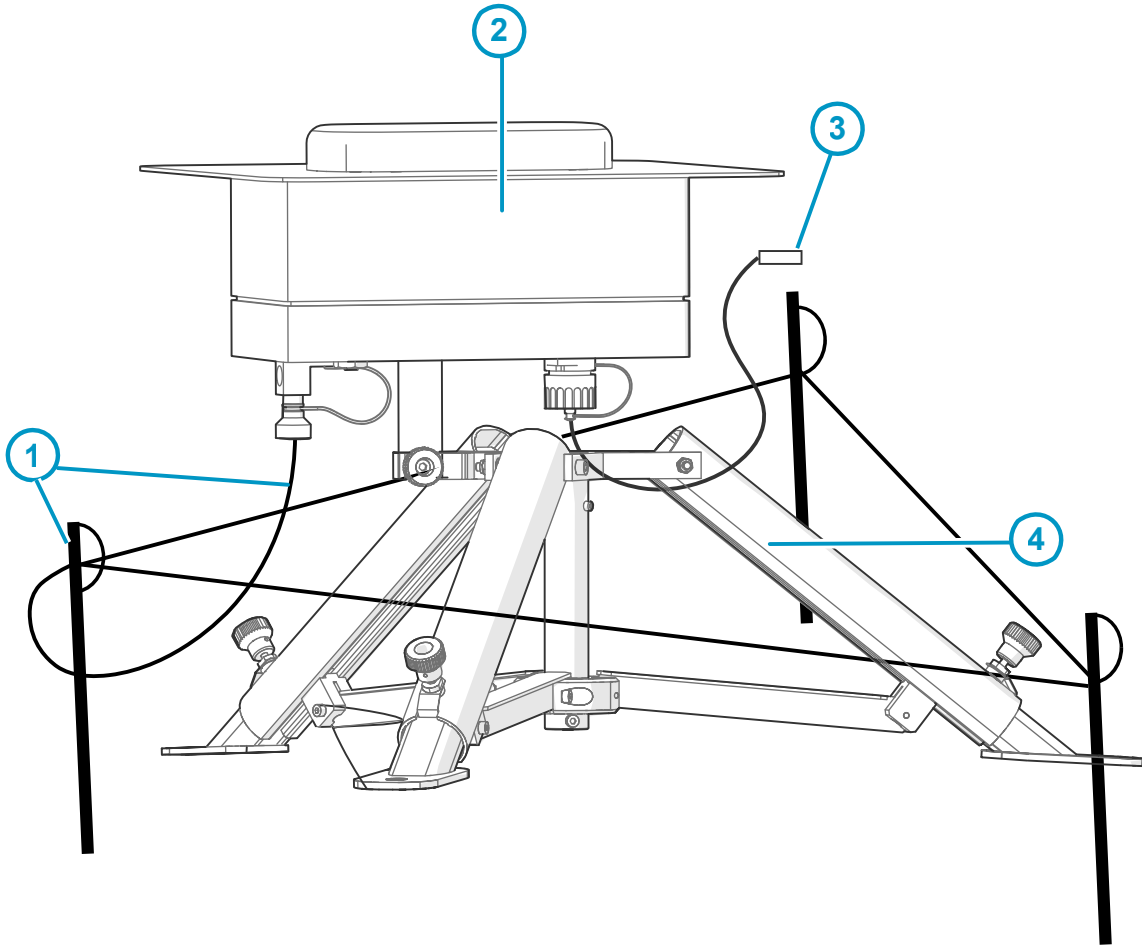


Figure 19 Lightning Detector SA20M-MT

Table 18 Available SA20M-MT spare parts

Number in figure	Order code	Common name	NSN code	Maint. level	Pcs in system
-	SA20M-MT	Lightning Detector (portable)	6660-01-553-0602	1	1
1	QM40287	Grounding net. Includes: • QM40142 pegs (3 pcs)	5985-01-504-6677	1	1

Number in figure	Order code	Common name	NSN code	Maint. level	Pcs in system
-	QM40142	Peg for MAWS201M	4030-99-833-0421	1	3
2	SA20M	Lightning Sensor	6660-01-505-1043	1	1
3	ZZ45215	Connection cable for SA20M to QMP202	6150-01-504-7739	1	1
4	SAT111	SA20M tripod	5985-01-504-6673	1	1

# 14. Power Supply Module QMP202SP

## 14.1 QMP202SP spare parts

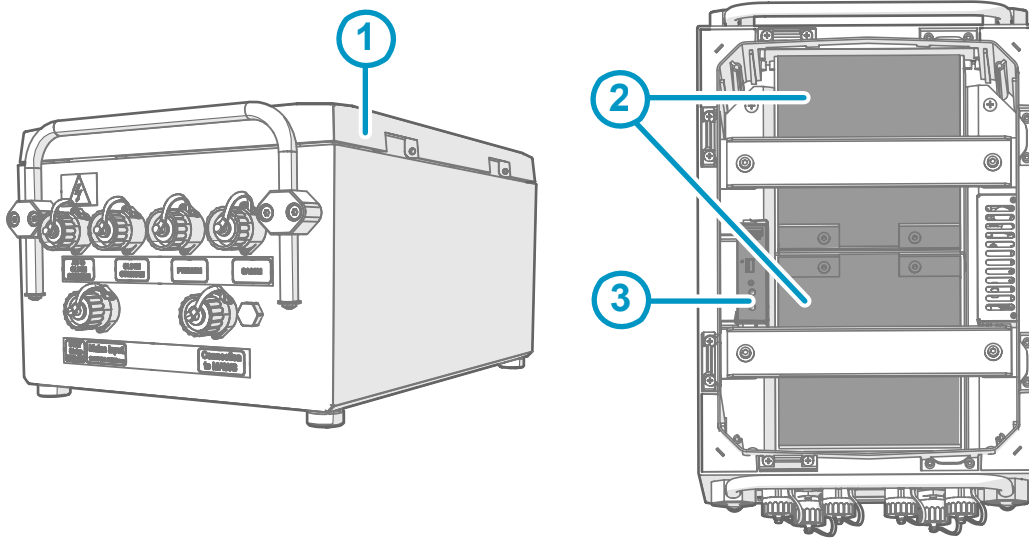


Figure 20 QMP202SP main parts

Table 19 Available QMP202SP spare parts

Number in figure	Order code	Common name	NSN code	Maint. level	Pcs in system
1	QMP202SP	Power Supply Module	6130-22-309-2926	1	1
2	QMP202BAT	Lead battery, 12 V 26 Ah	6140-99-232-3553	2	2
3	QBR101C	Battery Regulator	5963-15-201-7097	2	1
-	CBL210104-5M	AC (mains) cable, Amphenol 3+PE-F/M	6150-58-000-7253	1	1
-	ZZ45123SP	Communication cable for enhancement sensors	5995-01-504-7737	1	1
-	DRW246329	Protective canvas for QMP202		1	1

# 15. Ceilometer CL31M

## 15.1 CL31M spare parts



Figure 21 CL31M main parts

- 1 Window DRW236519 (behind top cover) (replaceable)
- 2 Window blower CLB331M (12 VDC, behind side cover) (replaceable)
- 3 Measurement unit
- 4 Side cover (removed in the figure on the right side)
- 5 Top cover (removed in the figure on the right side)

For more information and instructions on opening the CL31M enclosure and replacing external parts, see *Vaisala Ceilometer CL31M User's Guide*.

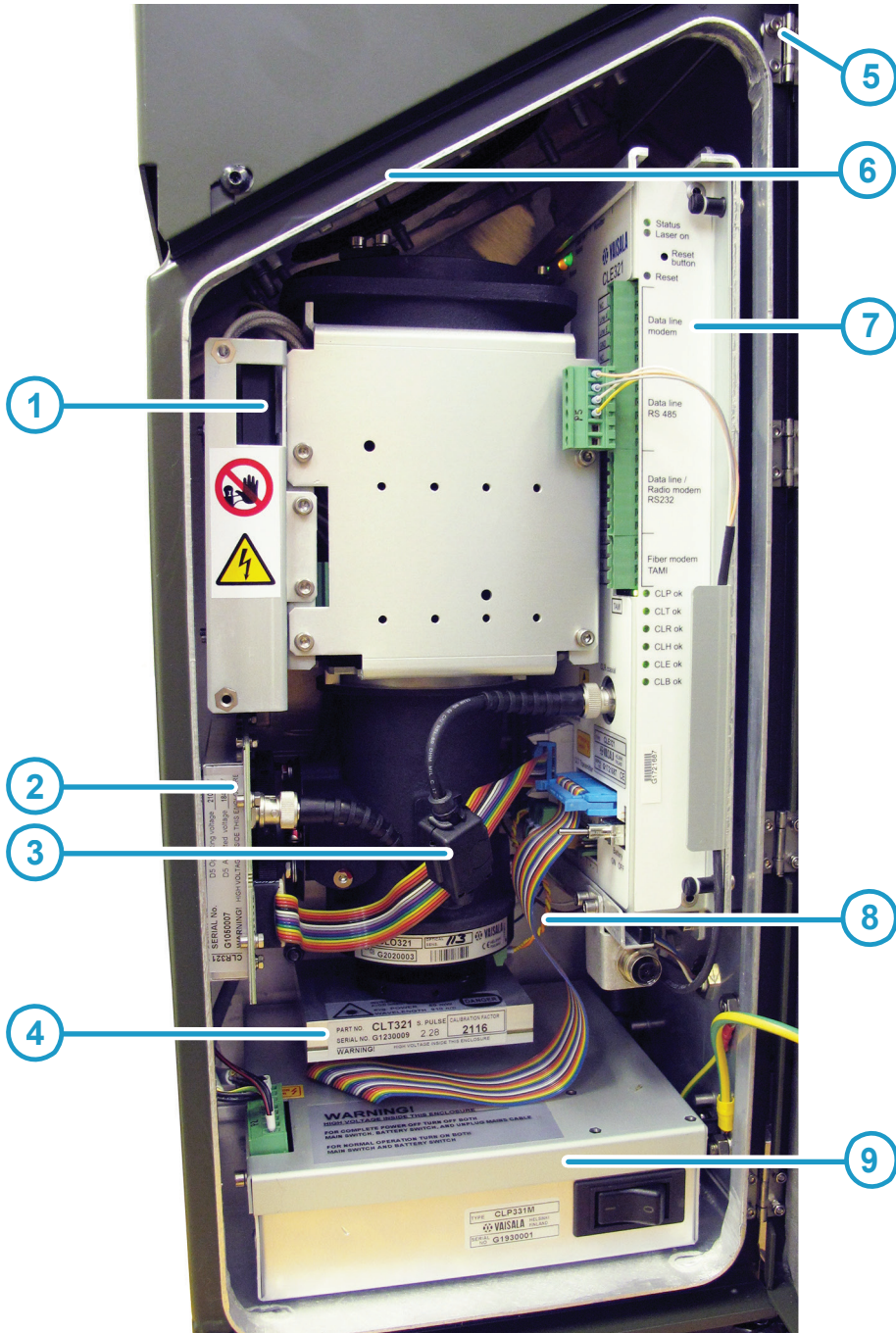


Figure 22 CL31M replaceable parts inside the enclosure

Table 20 Available CL31M spare parts

Number in figure	Order code	Common name	NSN code	Maint. level	Pcs in system
-	CL31M-C N1A1A1B	Portable ceilometer	6660-22-309-2925	1	1



Number in figure	Order code	Common name	NSN code	Maint. level	Pcs in system
-	DRW36519SP	Window assembly	-	2	1
1	CLH311-230SP	Inside heater	5963-58-000-2474	2	1
2	CLR321SP	Receiver	5998-01-564-0916	2	1
3	226296SP	Coaxial cable	-	2	1
4	CLT321SP	Transmitter	5998-01-564-0915	2	1
5	CLB331MSP	Window blower 12 VDC	-	2	1
6	DRW214413SP	Window gasket	-	2	1
7	CLE321SP	Engine board	-	2	1
8	CLM311SP	Laser monitor board	5998-01-564-0767	2	1
9	CLP331MSP	AC (mains) power	-	2	1
-	CT45300SP	AC (mains) power cable, 5 m (16 ft 5 in)	6150-01-504-7735	1	1
-	CT45298SP	Data/DC cable, 5 m (16 ft 5 in)	5995-01-504-7740	1	1
-	ASM210356SP	Camouflage canvas	-	1	1
-	231899SP	Ground rod set, including bag and 4 rods (QM40142)	-	1	1
-	QM40142	Rod for MAWS201M	4030-99-833-0421	1	4
-	M211355EN	<i>Vaisala Ceilometer CL31M User's Guide</i>	-	1	1
-	QTR104	Transit case for portable ceilometer and lightning detector	6660-01-504-5577	1	1

# 16. Radio modem set SAT400AWS

## 16.1 SAT400AWS spare parts

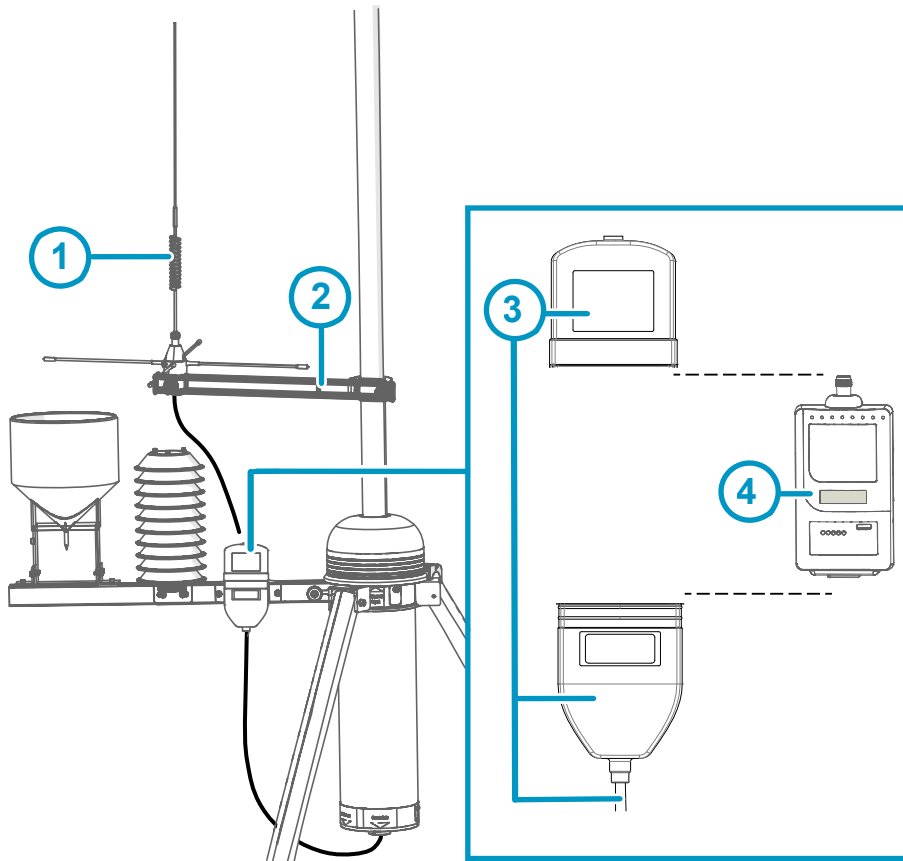


Figure 23 SAT400AWS main parts

Table 21 Available SAT400AWS spare parts

Number in figure	Order code	Common name	NSN code	Maint. level	Pcs in system
-	SAT400AWS	Radio modem set	5895-66-164-3926	2	1

Number in figure	Order code	Common name	NSN code	Maint. level	Pcs in system
1	SAT400ASET	Antenna set. Includes: <ul style="list-style-type: none"> <li>• Antenna (403 ... 430 MHz)</li> <li>• Antenna (430 ... 450 MHz)</li> <li>• Antenna (450 ... 470 MHz)</li> <li>• Antenna cable with TNC connector</li> <li>• Tripod antenna holder</li> <li>• Ground plane antennas</li> </ul>	-	1	1
2	QM30185	Antenna support arm	5985-01-504-6674	1	1
3	DRW011179	Cable with weather cover and mounting bracket	-	2	1
4	235053	SATELLINE-EASy UHF radio modem	5985-58-000-7715	2	1
-	26224	Antenna storage bag	-	1	1

# 17. Radio modem set SAT400PC

## 17.1 SAT400PC spare parts

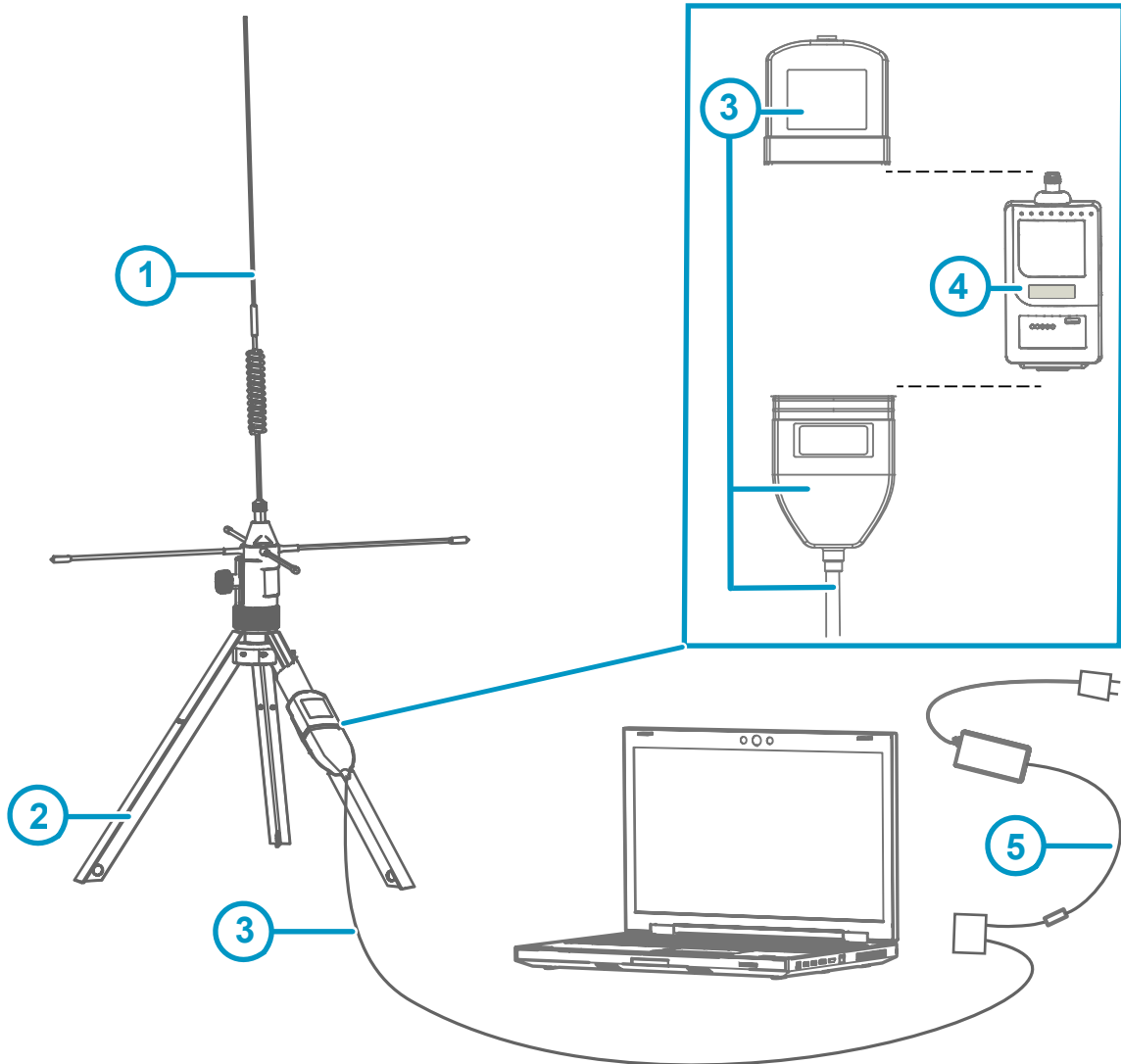


Figure 24 SAT400PC main parts

Table 22 Available SAT400PC spare parts

Number in figure	Order code	Common name	NSN code	Maint. level	Pcs in system
-	SAT400PC	Radio modem set	5895-66-164-3927	1	1
1	SAT400ASET	Antenna set. Includes: <ul style="list-style-type: none"> <li>• Antenna (403 ... 430 MHz)</li> <li>• Antenna (430 ... 450 MHz)</li> <li>• Antenna (450 ... 470 MHz)</li> <li>• Antenna cable with TNC connector</li> <li>• Tripod antenna holder</li> <li>• Ground plane antennas</li> </ul>	-	1	1
2	QM30176	Antenna tripod	5895-01-504-4171	1	1
3	CBL210363-5M	Cable with weather cover for radio	-	1	1
4	235053	SATELLINE-EASy UHF radio modem	5895-58-000-7715	1	1
5	QMP211EUR-US	AC (mains) power supply for PC end radio receiver	-	1	1
-	26224	Antenna storage bag	-	1	1

## 18. Spare part sets

### 18.1 Spare part set 260073 for transit cases

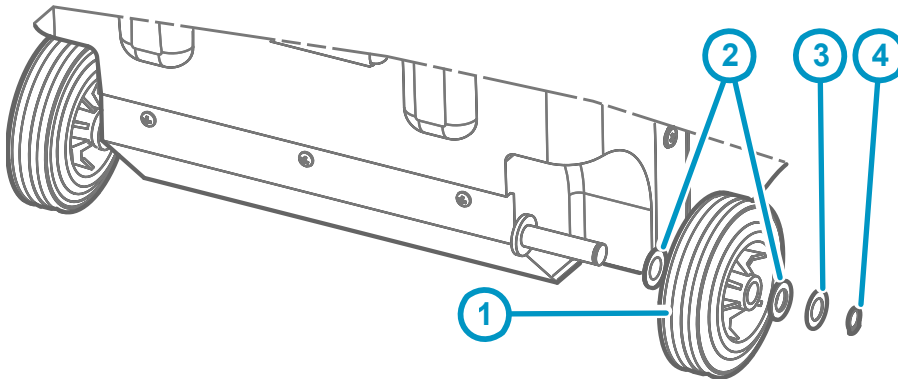


Figure 25 260073 parts

Table 23 Spare part set 260073 for transit cases

Number in figure	Order code	Common name	NSN code	Maint. level	Pcs in system
-	260073	Wheel accessories set	-	-	-
1	-	Wheel	-	-	2
2	-	Plastic washer	-	-	4
3	-	Metal washer	-	-	2
4	-	Locking ring			2

## 18.2 Spare part set 260075 for transit cases

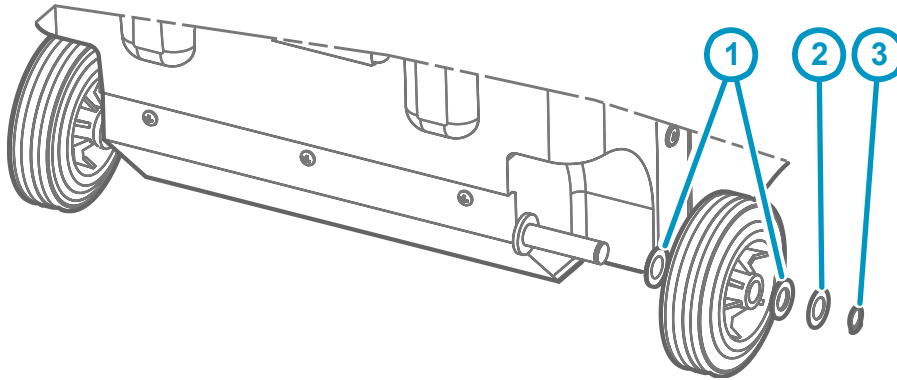


Figure 26 260075 parts

Table 24 Spare part set 260075 for transit cases

Number in figure	Order code	Common name	NSN code	Maint. level	Pcs in system
-	260075	Wheel accessories set without wheels	-	-	-
1	-	Plastic washer	-	-	4
2	-	Metal washer	-	-	2
3	-	Locking ring	-	-	2

### 18.3 Spare part set 260076 for transit cases

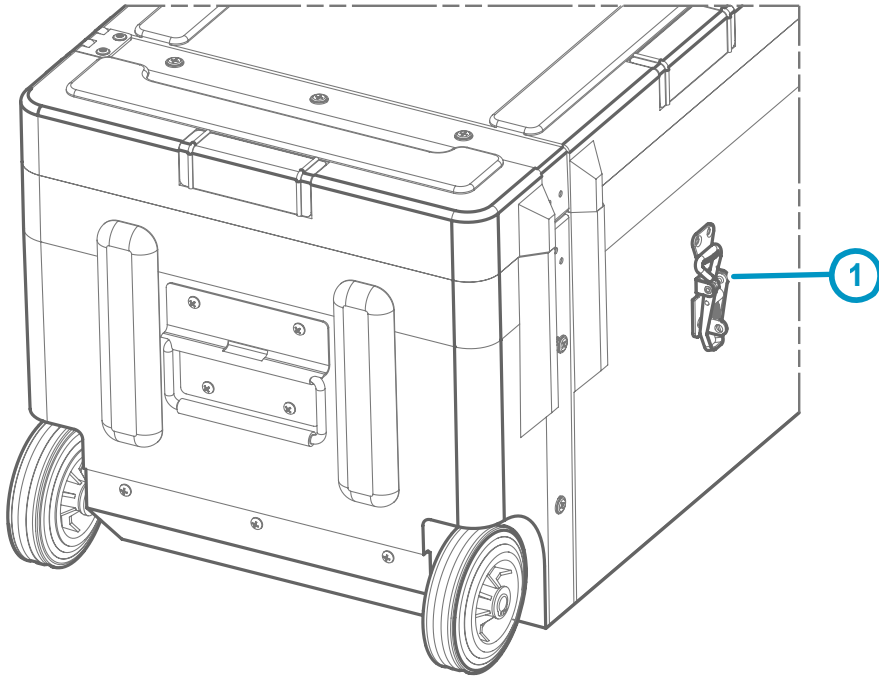


Figure 27 260076 parts

Table 25 Spare part set 260076 for transit cases

Number in figure	Order code	Common name	NSN code	Maint. level	Pcs in system
-	260076	Lock accessories set	-	-	-
1	-	Toggle latch	-	-	3



## 18.4 Spare part set ASM212813 for tripod leg hinge

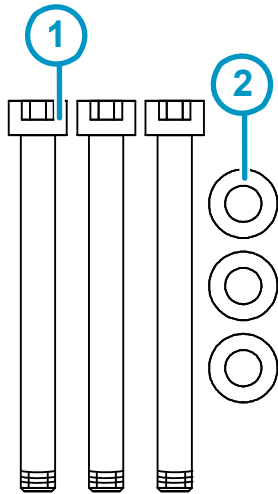


Figure 28 ASM212813 parts

Table 26 Fixing screw set ASM212813 for tripog leg hinge

Number in figure	Common name	Pcs in system
1	Special screw M5×52 DIN912 A4	3
2	Flat washer A5.3, DIN125 A4	3

## 18.5 Spare part set 238485SP for tripod

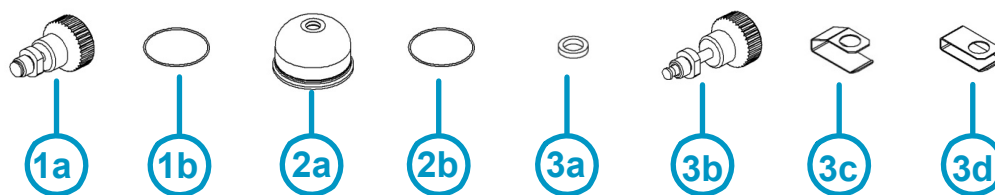


Figure 29 238485SP parts

Table 27 Spare part set 238485SP for tripod

Number in figure	Common name	Pcs in system
1a	Finger screw M5×25 for logger enclosure	2
1b	O-ring Ø 110 mm (2 pcs). For older logger enclosure models.	2

Number in figure	Common name	Pcs in system
2a	Protective cover for telescopic mast assembly	1
2b	O-ring $\varnothing$ 109.5 mm (1 pcs). For new logger enclosure models.	1
3a	Washer $\varnothing$ 8 mm for tripod legs (type 1)	3
3b	Thumb screw M5x15 for tripod legs	3
3c	U-spring for tripod legs (type 2)	3
3d	U-spring for tripod legs (type 1)	3

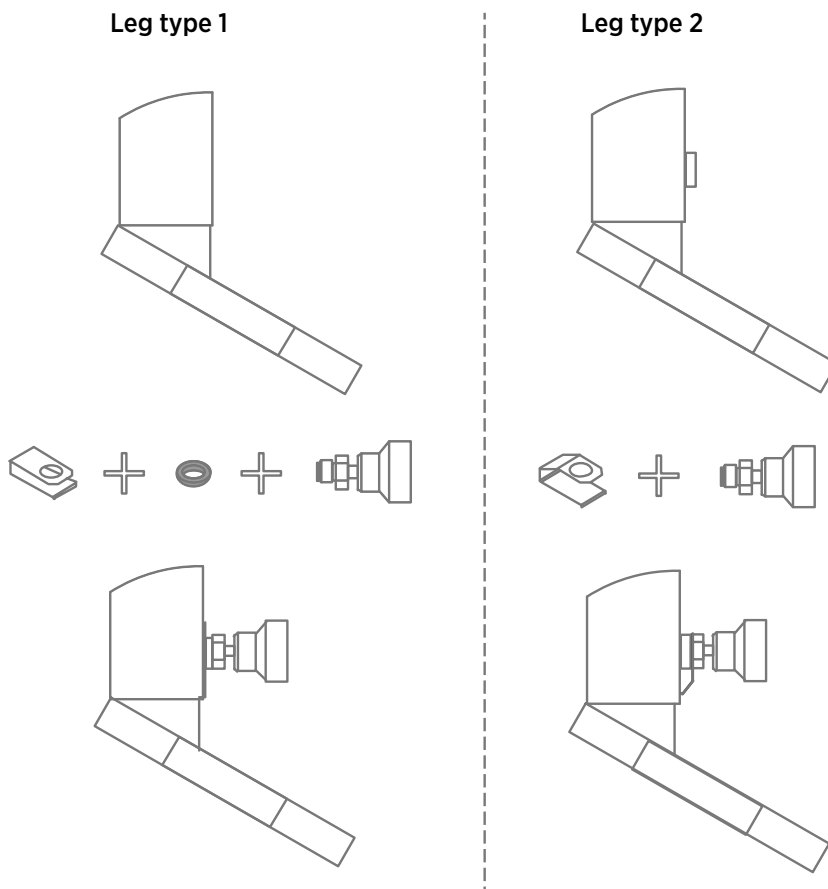


Figure 30 Fastener options for tripod leg types 1 and 2 (included in 238485SP)

## 18.6 O-ring set 240575SP for Alden cable connectors

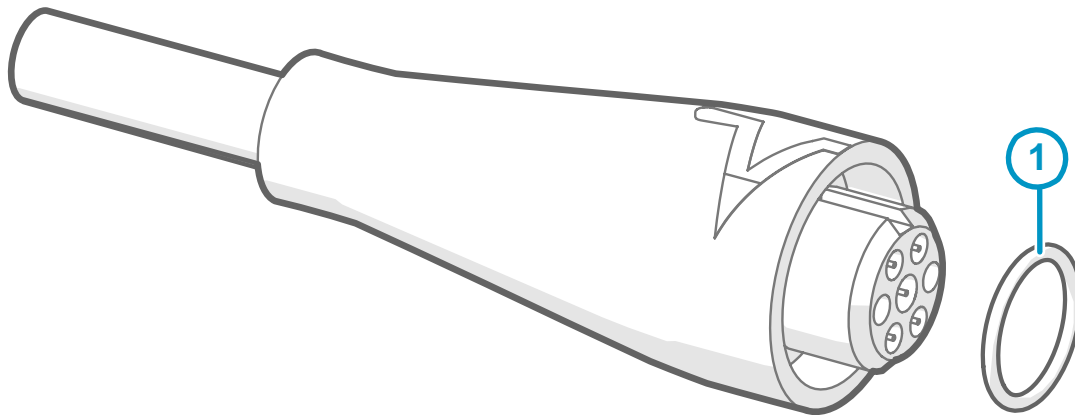


Figure 31 240575SP parts

Table 28 O-ring set 240575SP for Alden cable connectors

Number in figure	Common name	Pcs in system
1	O-ring set for Alden cable connectors, 9.0 × 1.0 mm	10

## 18.7 Spare part set QMY105M

Table 29 Spare part set QMY105M

Order code	Common name	NSN code
QMY105M	Spares and tools, MAWS201M standard parts package. Includes the following:	5985-01-542-1798
QTR103	Transit case for tools	-
QMD102M	Handheld Terminal	7025-58-000-8661
WMS302M	Combined Wind Sensor, MAWS201M	6660-99-378-7075
CP400	Chemical cleaning pad box, 50 pads	6540-01-632-6229
25926	Hammer, 1 kg (2 lb)	5120-01-507-3491
26271	Screw driver	-
52925	Allen key, long, 4 mm	-
4186	Allen key, 3 mm	-
16139	Key for DIN 3-mm lock	5340-20-002-9911

Order code	Common name	NSN code
19558SP	Cable tie, hook-loop, 300 mm, 10 pcs	-
26222	International adapter kit (AC-plugs WA-7, WA-9, WA-10, WA-10L, WA-16)	-
4017	Rechargeable battery, 12 V 7 Ah	6140-01-515-4694

# 19. Maintenance parts list

Table 30 Available spare parts for maintenance tasks

Order code	Common name	NSN code
CL31MTERMHOODSP	Optical termination hood for CL31M	–
QMZ101SP	Maintenance cable for MAWS201M	–
CL31USBCABLESP	USB cable for CL31M	–
PTB330TS	PTB330 and MI70 with HPM155 in carrying case. To receive the complete package, order with the following codes: <ul style="list-style-type: none"> <li>• PTB330TS for carrying case</li> <li>• PTB330A0AAHHHFPB501 for digital barometer</li> <li>• MI70F44 for handheld measurement indicator</li> <li>• HMP155E1AA11A0A0A1C4A for humidity and temperature probe</li> </ul>	6660-58-000-8088
PTB330A0AAHHHFPB501	BAROCAP Digital Barometer PTB330	–
MI70F44	MI70 Handheld Measurement Indicator	–
HMP155E1AA11A0A0A1C4A	HUMICAP Humidity and Temperature Probe HMP155	–
HMK15	Humidity calibrator	–



# Warranty

For standard warranty terms and conditions, see [www.vaisala.com/warranty](http://www.vaisala.com/warranty).

Please observe that any such warranty may not be valid in case of damage due to normal wear and tear, exceptional operating conditions, negligent handling or installation, or unauthorized modifications. Please see the applicable supply contract or Conditions of Sale for details of the warranty for each product.

# Technical support



Contact Vaisala technical support at [helpdesk@vaisala.com](mailto:helpdesk@vaisala.com). Provide at least the following supporting information as applicable:

- Product name, model, and serial number
- Software/Firmware version
- Name and location of the installation site
- Name and contact information of a technical person who can provide further information on the problem

For more information, see [www.vaisala.com/support](http://www.vaisala.com/support).

# Recycling



Recycle all applicable material.



Follow the statutory regulations for disposing of the product and packaging.







# VAISALA

[www.vaisala.com](http://www.vaisala.com)

